



NJ-A8601

Concealed Slides
75 pound class (35 kgs)

Product Photo

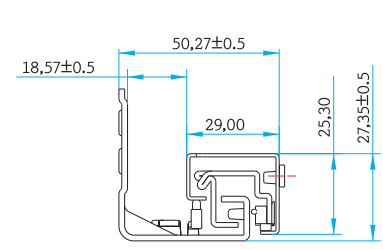


Features



Mounting | Under mount.
Loading | 75 pound class (35 kgs) for 30,000 cycles.
Size | 450 mm
Feature | Built-in basket mounting cover, extremely light and silent movement.
Finish | Galvanized steel.
Option | None.

Profile



Surface Treatment

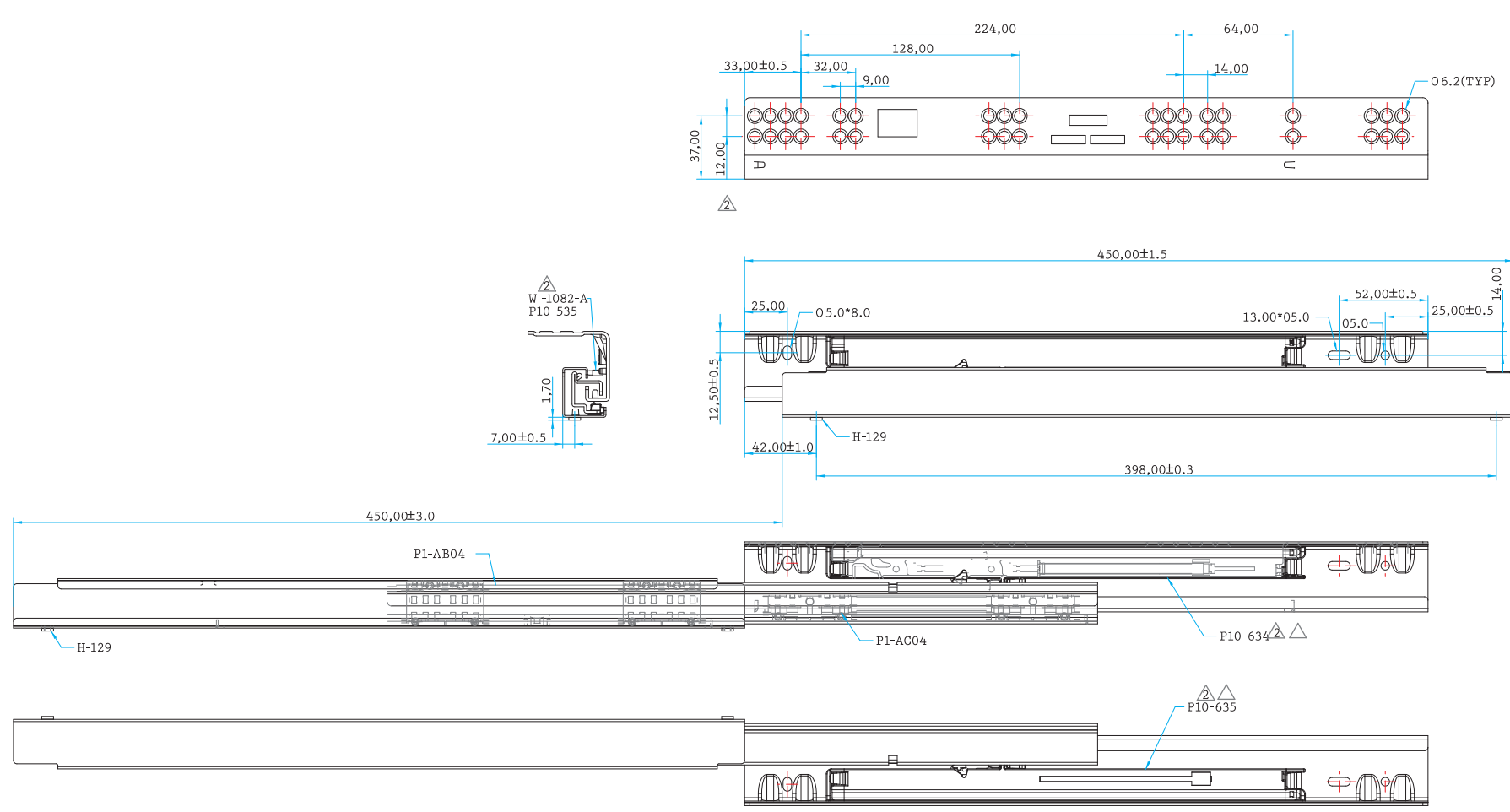
- Clear Zinc
- Black Zinc
- Black E. Coating
- White E Coating
- Stainless Steel
- Galvanized Steel

Packaging

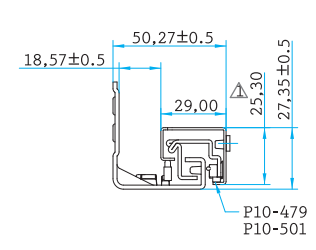
- Retail
- Distribution / 6 pairs per box

*Box QTY might vary with different length, the info provided here is based on 18" (450 mm)

Drawing



Profile



Specification Table

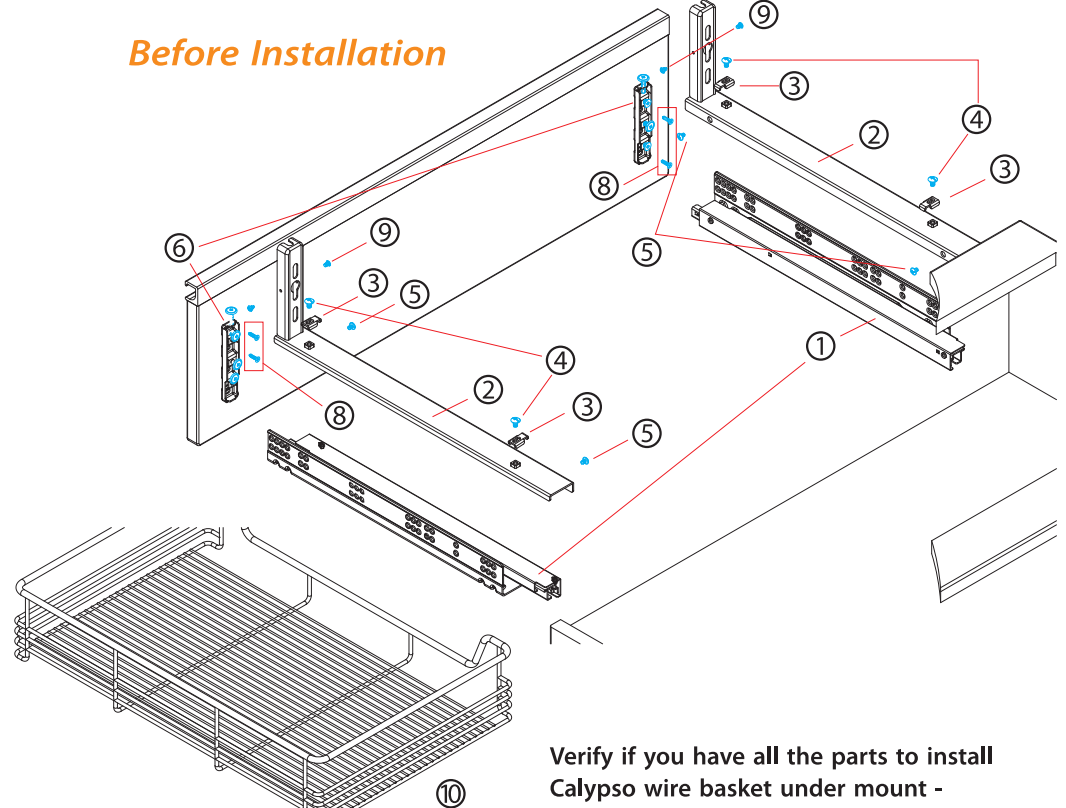
Installation Instructions

Calypso Wire Basket Under-mount Quick Installation Guide of A8601

75 pound (35 kgs) loading, wire basket under-mount, concealed slides.

"Calypso Wire Basket Under" — mount is built to offer you extremely smooth and silent movement with the most stability for wire basket. Patented soft close mechanism warrant the most comfortable drawer closure for life time.

Before Installation



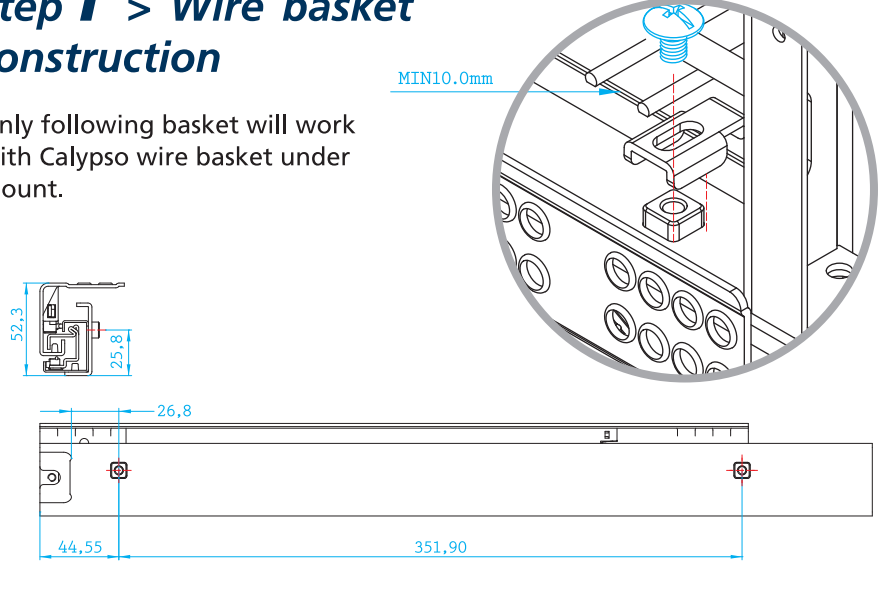
Verify if you have all the parts to install Calypso wire basket under mount -

- ① under mount slides x 1 pair (L & R)
- ② slide cover bracket x 1 pair (L & R)
- ③ mounting plate x 4 pieces
- ④ screw for plate fixing x 4 pieces
- ⑤ screw for bracket fixing x 4 pieces
- ⑥ door mounting bracket x 2 pieces
- ⑦ washer for door mounting x 4 pieces
- ⑧ screw for door mounting x 4 pieces
- ⑨ screw fro side adjustment x 2 pieces
- ⑩ Optional basket (you may purchase basket from Repon or other brands)

NJA8601 is designed for 450 mm deep basket. Recommended screw for slide mounting – #8 round head screw

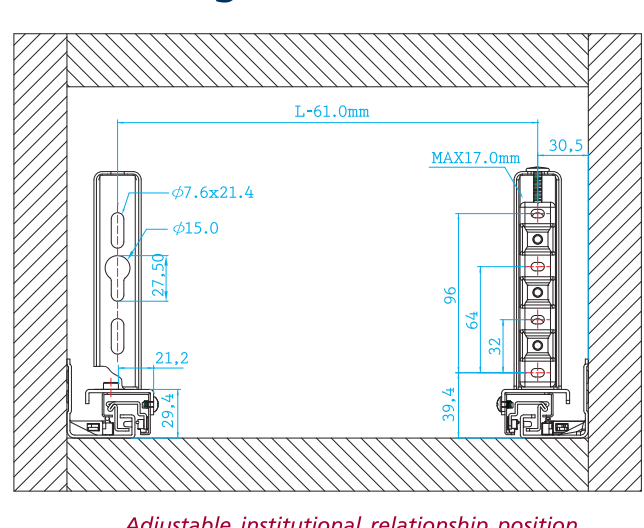
Step 1 > Wire basket construction

Only following basket will work with Calypso wire basket under mount.



Step 2 > Door mounting

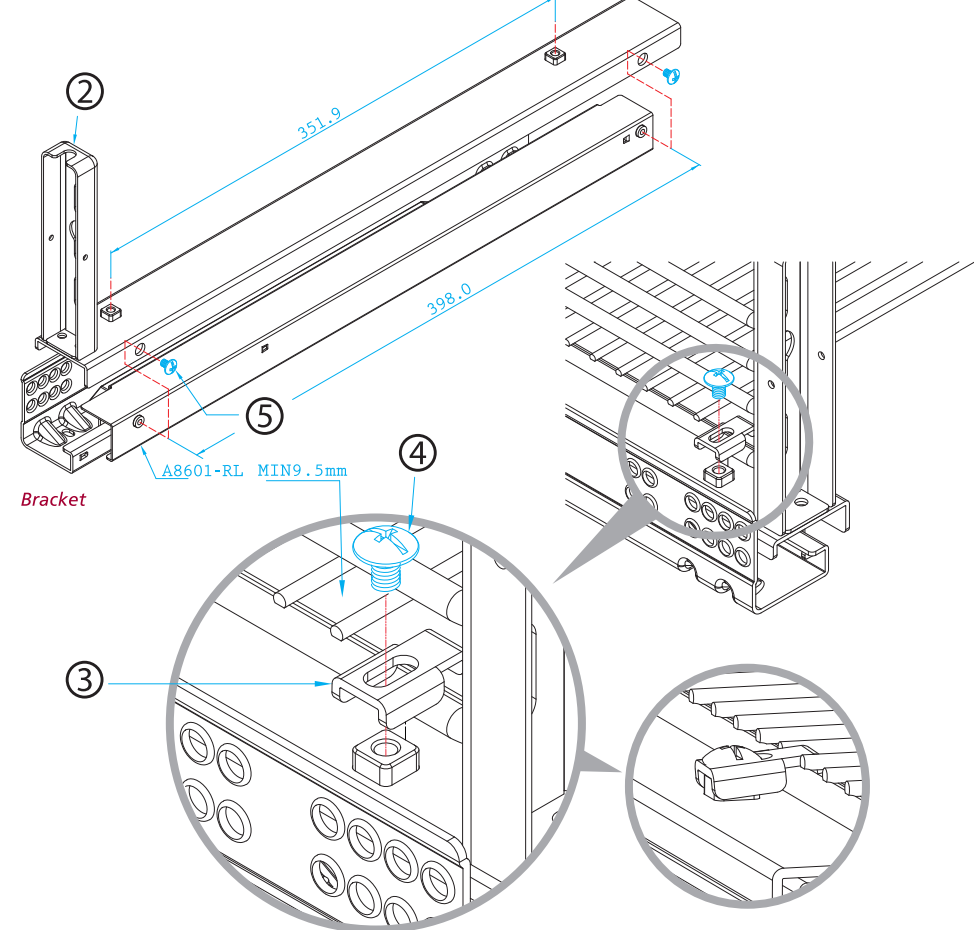
Please follow the drawing below to fix the door front mounting brackets.



Adjustable institutional relationship position

Step 3 > Install slides to the cabinet

Step 4 > Mounting baskets onto the slides



Step 5 > Mounting drawer front to the wire basket and adjustment

