

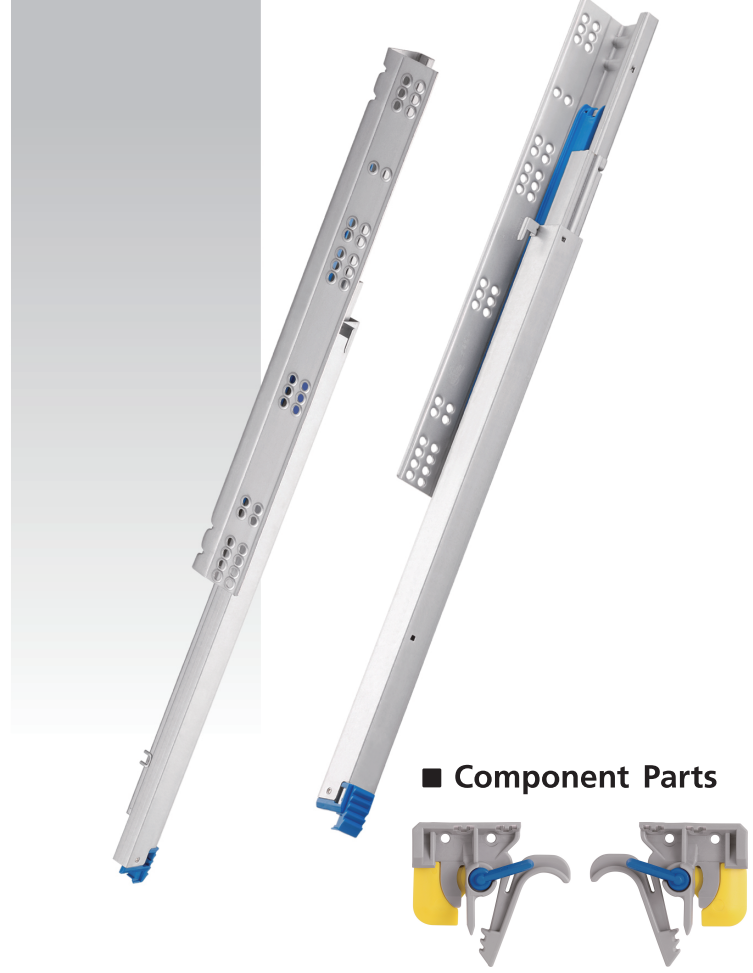


NJ-A5A03

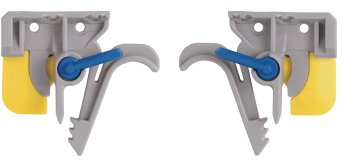
Wooden Drawer Slides

75 pound class (35 kgs)

Product Photo



Component Parts

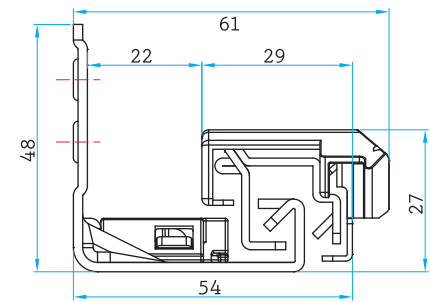


Features



- Mounting** | Under mount.
- Side clearance** | designed and built for 5/8" drawer side panel.
- Loading** | 75 pound (35 kgs) class.
- Size** | 300 mm, 350 mm, 400 mm, 450 mm, 500 mm, 550 mm, 600 mm.
- Feature** | extremely silent and effortless drawer movement, height and side adjustment, and quick drawer removal handle along with new dampening mechanism.
- Finish** | galvanized steel.
- Packaging** | distribution packaging.
- Option** | deluxe packaging.

Profile



Surface Treatment

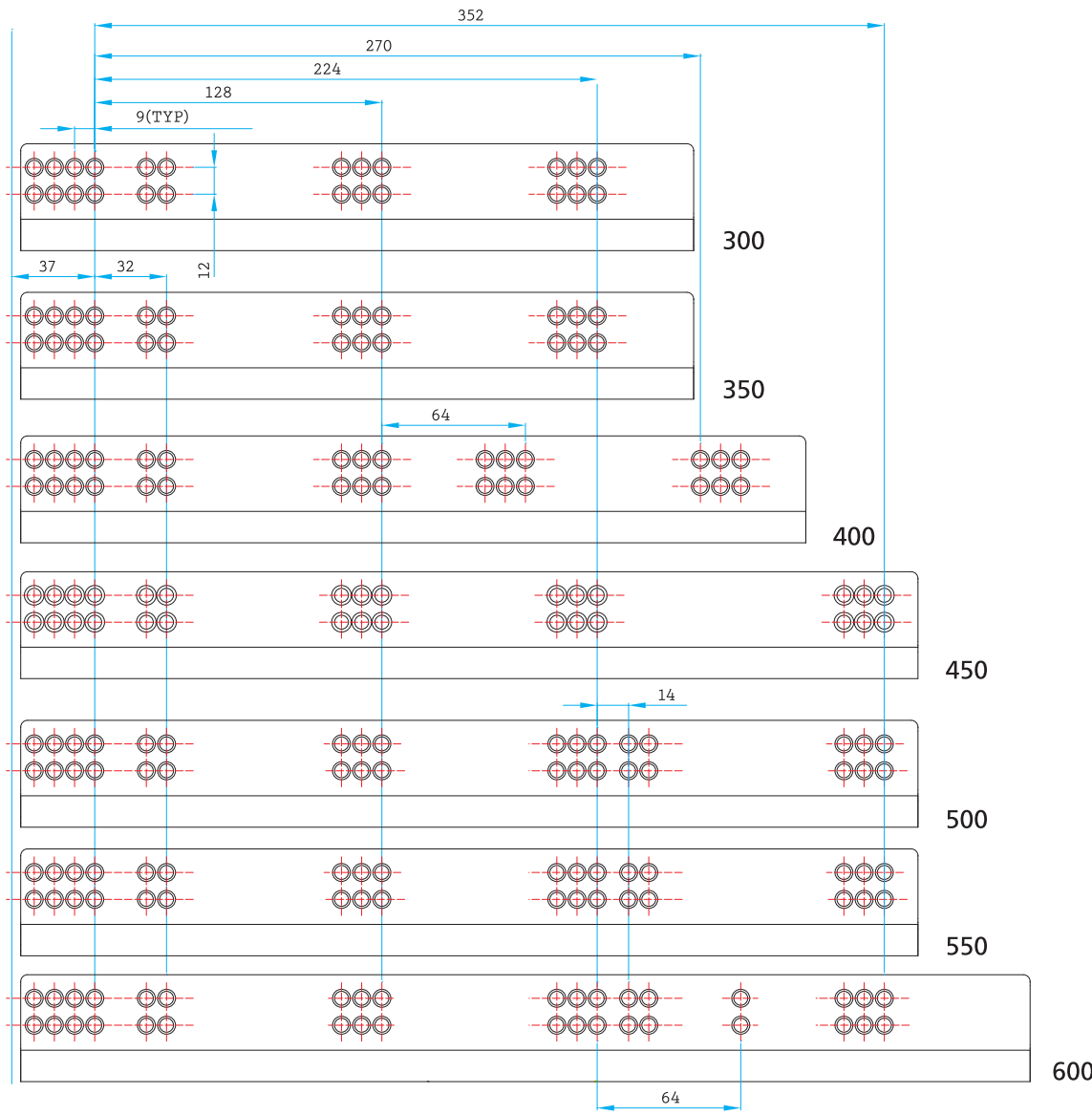
- Clear Zinc
- Black Zinc
- Black E. Coating
- White E Coating
- Stainless Steel
- Galvanized Steel

Packaging

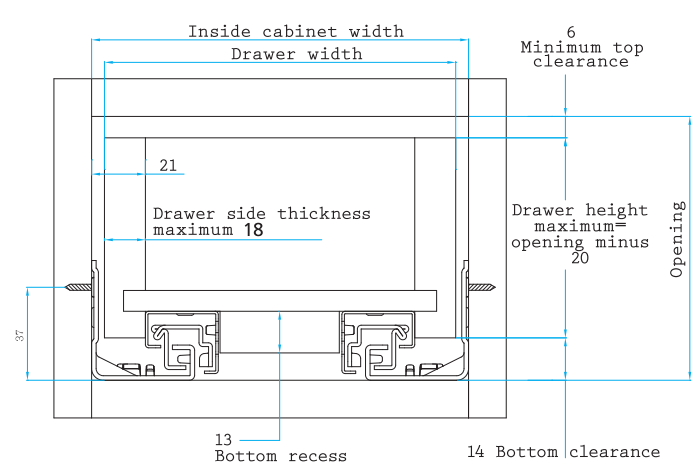
- Distribution / 6 pairs per box

*Box QTY might vary with different length, the info provided here is based on 18" (450 mm)

Drawing



Profile



Cabinet profile screw positions
This is not nominal length NL(mm)

Specification Table

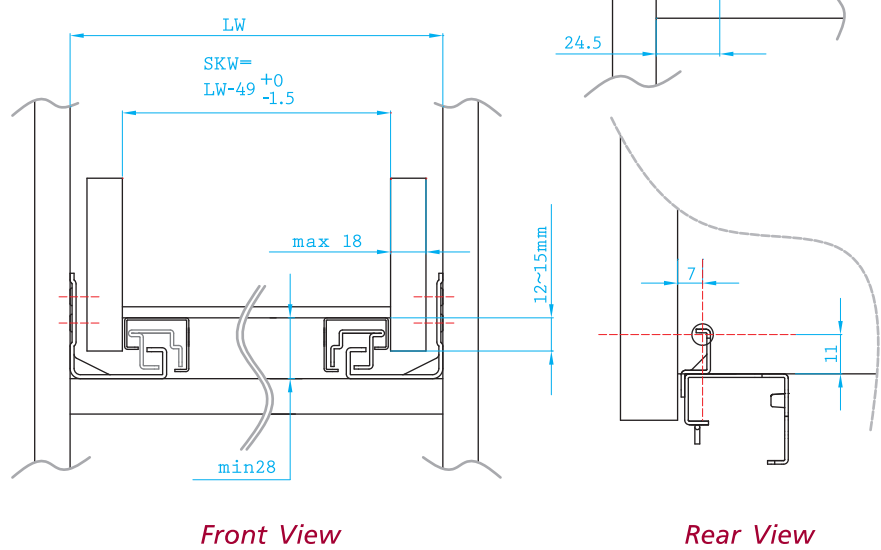
Installation Instructions

Calypso Wooden Drawer Quick Installation Guide of A5A03

NJA5A03 / Imperial Measurement (American style) / 18 mm (3/4 inch) drawer side / 35 kgs loading (75 pound)

Step 1 > Drawer construction

- ✎ NJA5602 is built for 16 mm (5/8 inch) drawer side only. Thinner or thicker drawer side might cause slide to malfunction. (Figure1)
- ✎ Please construct the drawer as per the following dimension.



Drawer/inner drawer
SKW Internal drawer width
LW Inner cabinet width

** Recommended screw – #7 counter sunk screw

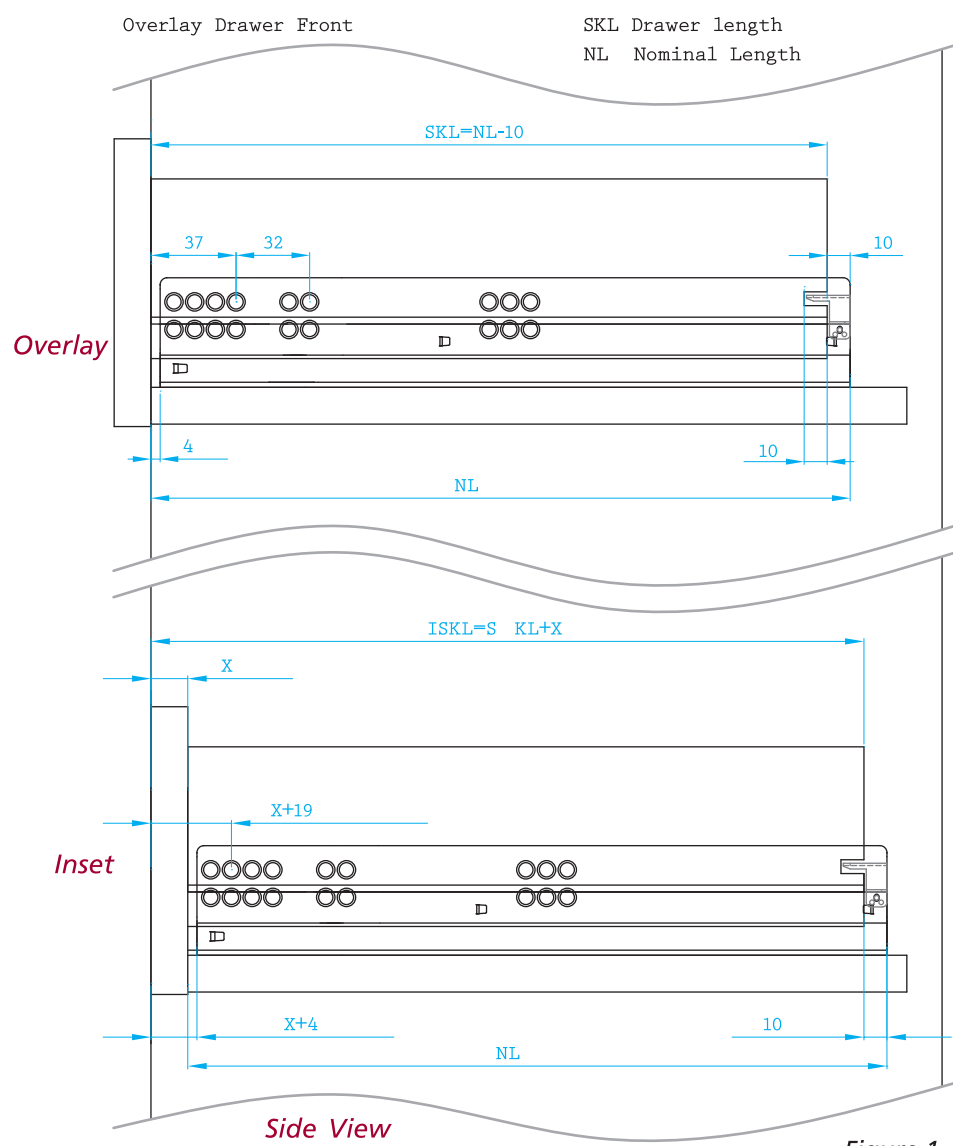
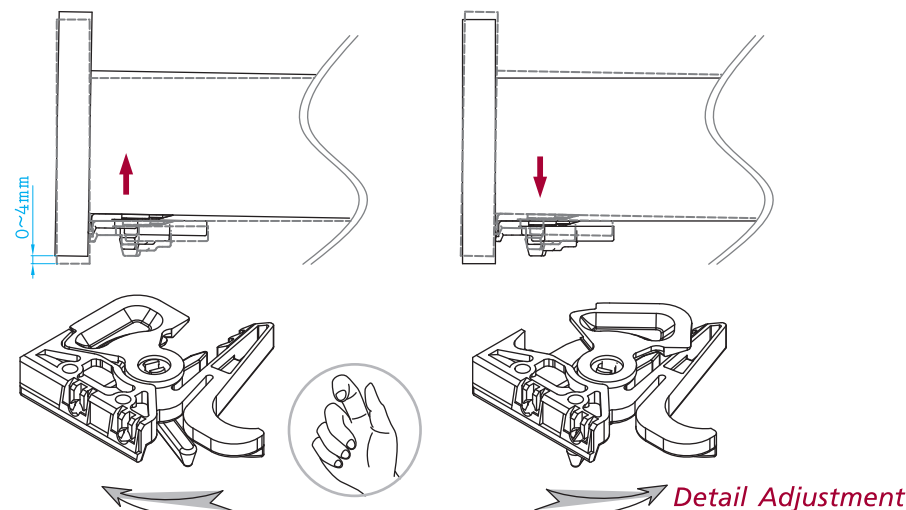


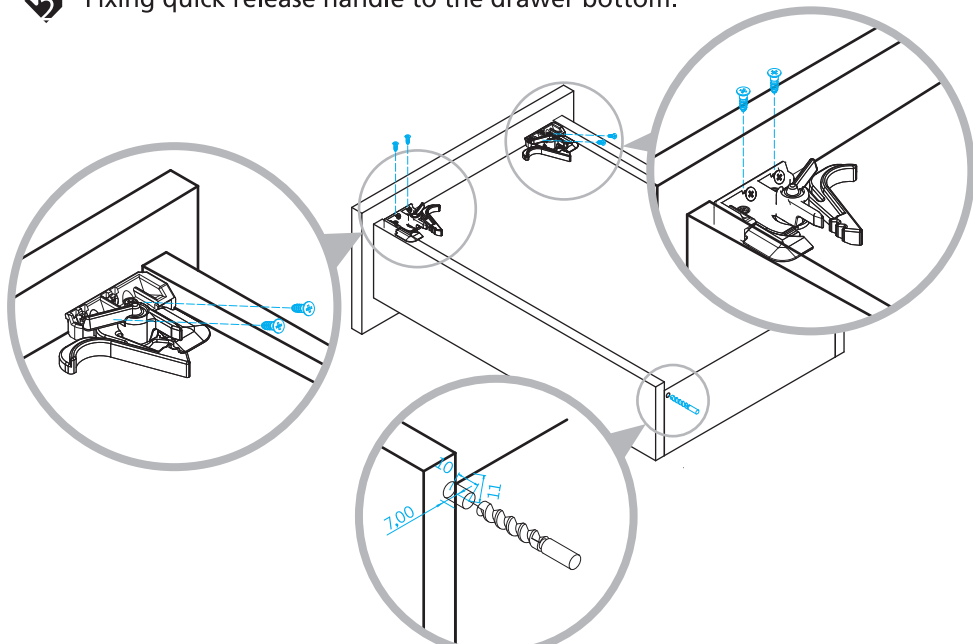
Figure 1

Step 2 > Adjustment

- ✎ For drawer front height adjustment, please rotate the lever as the illustration. You may raise the drawer front by a maximum of 4 mm. (Figure1)



- ✎ Fixing quick release handle to the drawer bottom.



Step 3 > Drawer removal

- ✎ Pull the handle forward to release.

