

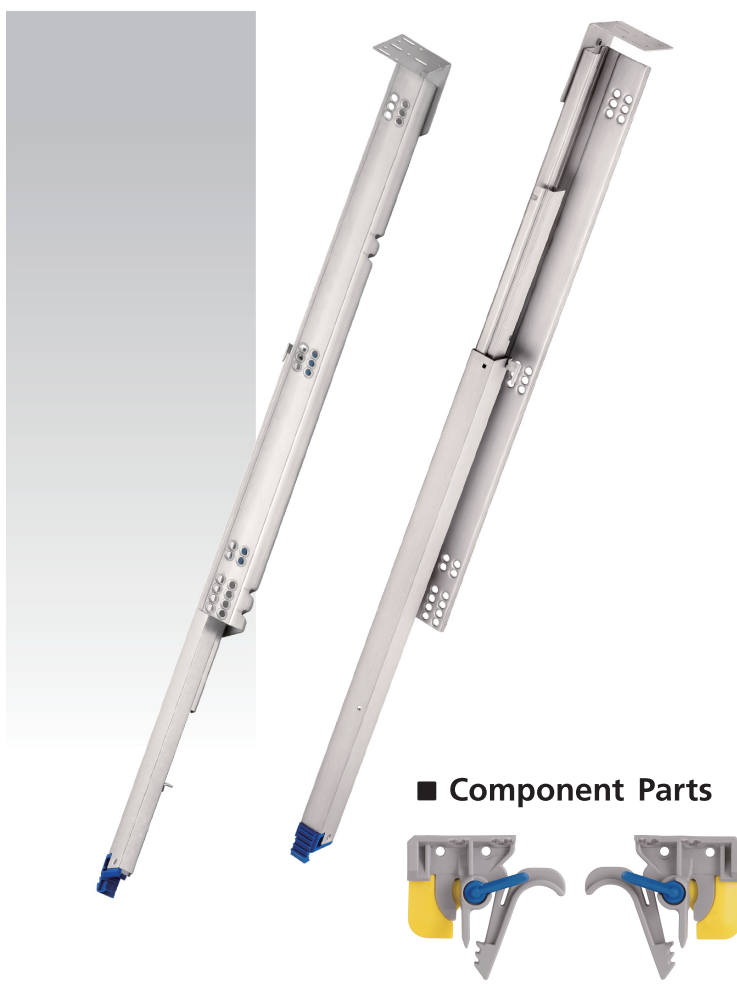


# NJ-A5602

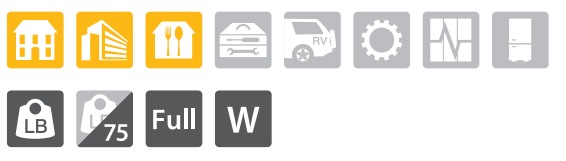
Wooden Drawer Slides  
75 pound class (35 kgs)

» Features » Drawing » Specification Table » Installation Instructions

## Product Photo

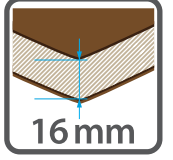


## Features

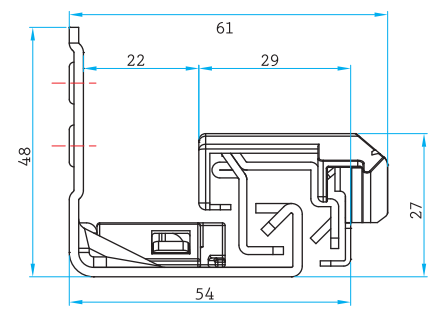


**Mounting** | Face frame.  
**Side clearance** | designed and built for 5/8" drawer side panel.  
**Loading** | 75 pound (35 kgs) class.  
**Size** | 15", 18", 21".  
**Feature** | extremely silent and effortless drawer movement, height adjustment, and quick drawer removal handle along with new dampening mechanism.  
**Finish** | galvanized steel.  
**Packaging** | distribution packaging.  
**Option** | deluxe packaging rear bracket.

## Component Parts



## Profile



## Surface Treatment

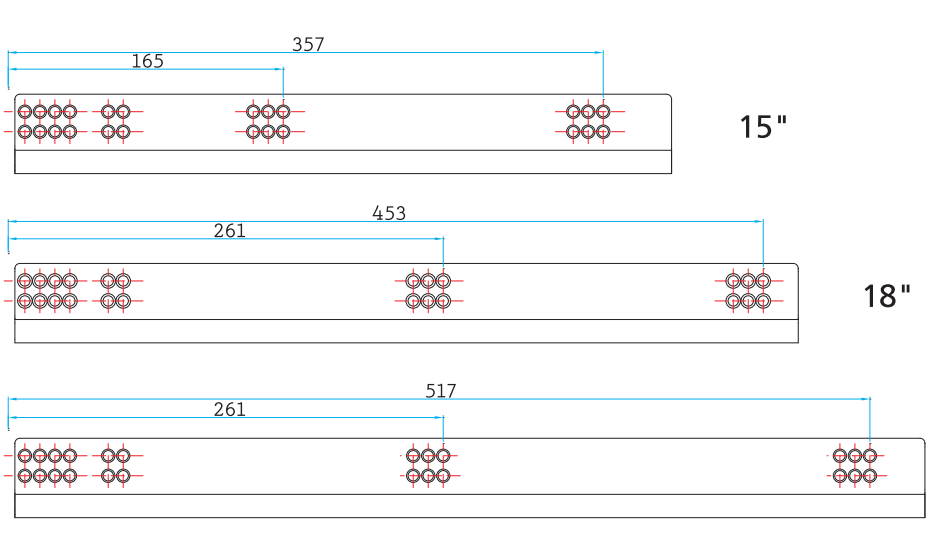
- Clear Zinc
- Black Zinc
- Black E. Coating
- White E Coating
- Stainless Steel
- Galvanized Steel

## Packaging

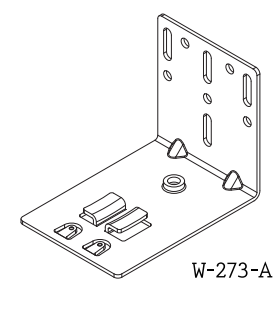
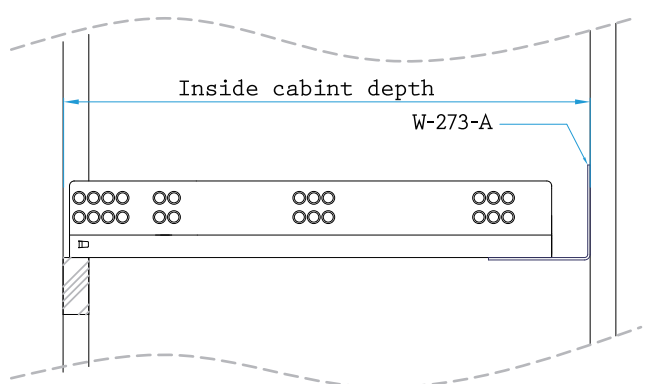
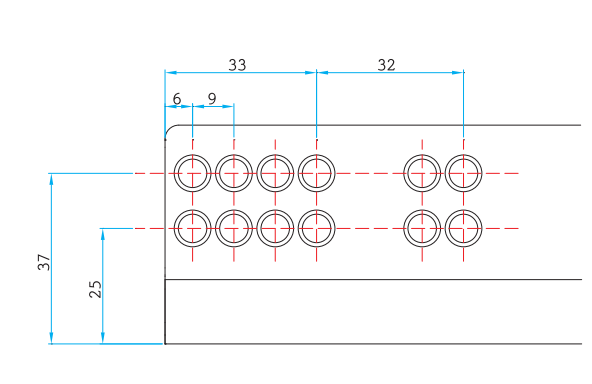
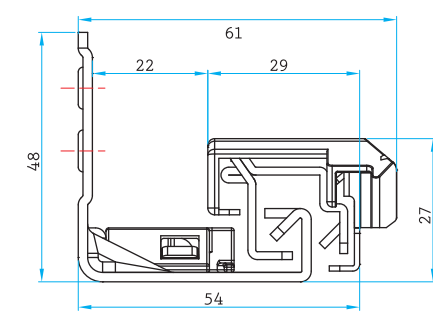
■ Distribution / 6 pairs per box

\*Box QTY might vary with different length, the info provided here is based on 18" (450 mm)

## Drawing



## Profile



## Specification Table

Inside cabinet depth with W-273-A bracket

Maximum	Minimum
446(17-9/16")	403(15-7/8")
552(20-9/16")	479(18-7/8")
598(23-9/16")	555(21-7/8")

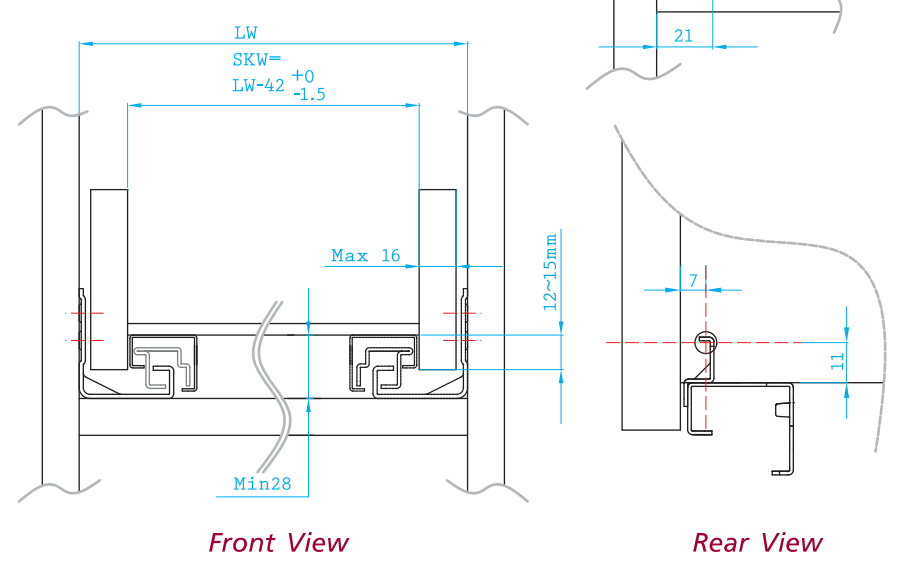
## Installation Instructions

### Calypso Wooden Drawer Quick Installation Guide of A5602

NJA5602 / Imperial Measurement (American style) / 16 mm ( 5/8 inch ) drawer side / 35 kgs loading ( 75 pound )

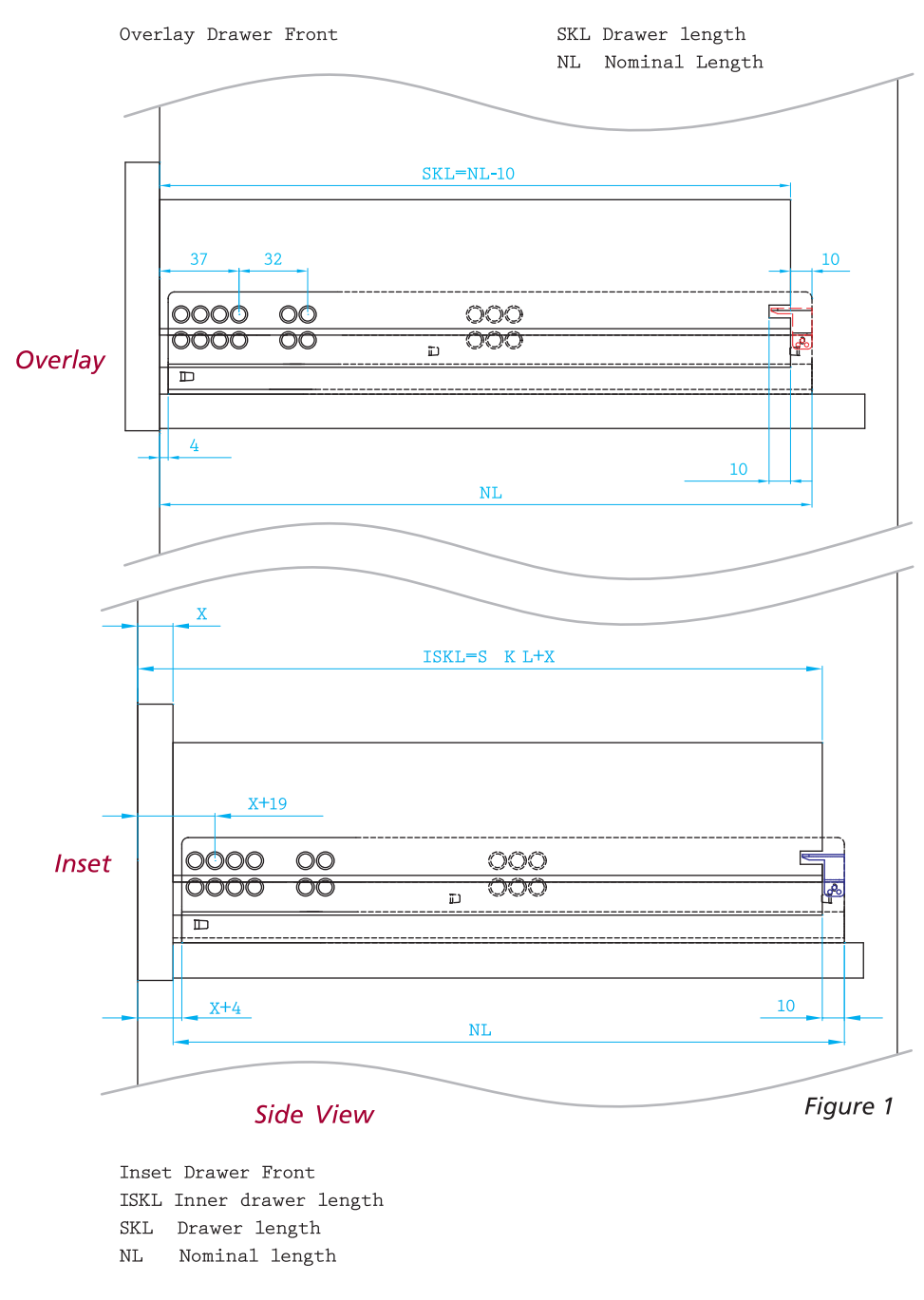
#### Step 1 > Drawer construction

- ✎ NJA5602 is built for 16 mm (5/8 inch) drawer side only. Thinner or thicker drawer side might cause slide to malfunction. (Figure1)
- ✎ Please construct the drawer as per the following dimension.



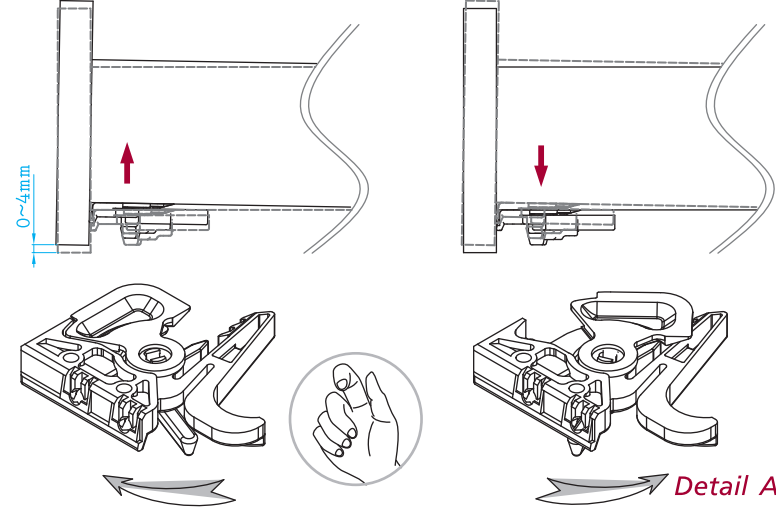
Drawer/inner drawer  
SKW Internal drawer width  
LW Inner cabinet width

\*\* Recommended screw – #7 counter sunk screw

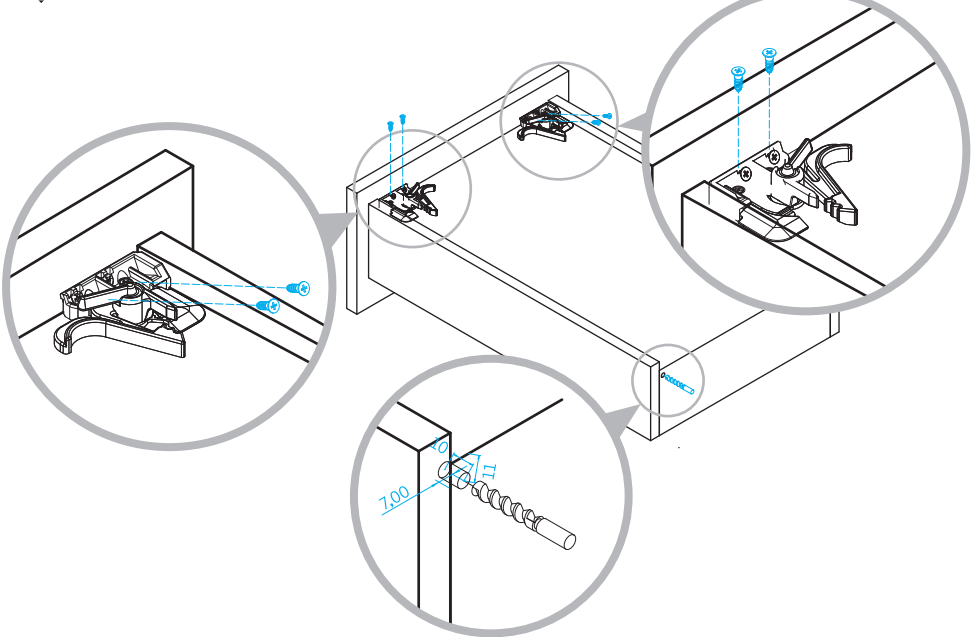


#### Step 2 > Adjustment

- ✎ For drawer front height adjustment, please rotate the lever as the illustration. You may raise the drawer front by a maximum of 4 mm. (Figure1)



- ✎ Fixing quick release handle to the drawer bottom.



#### Step 3 > Drawer removal

- ✎ Pull the handle forward to release. (Figure1)

