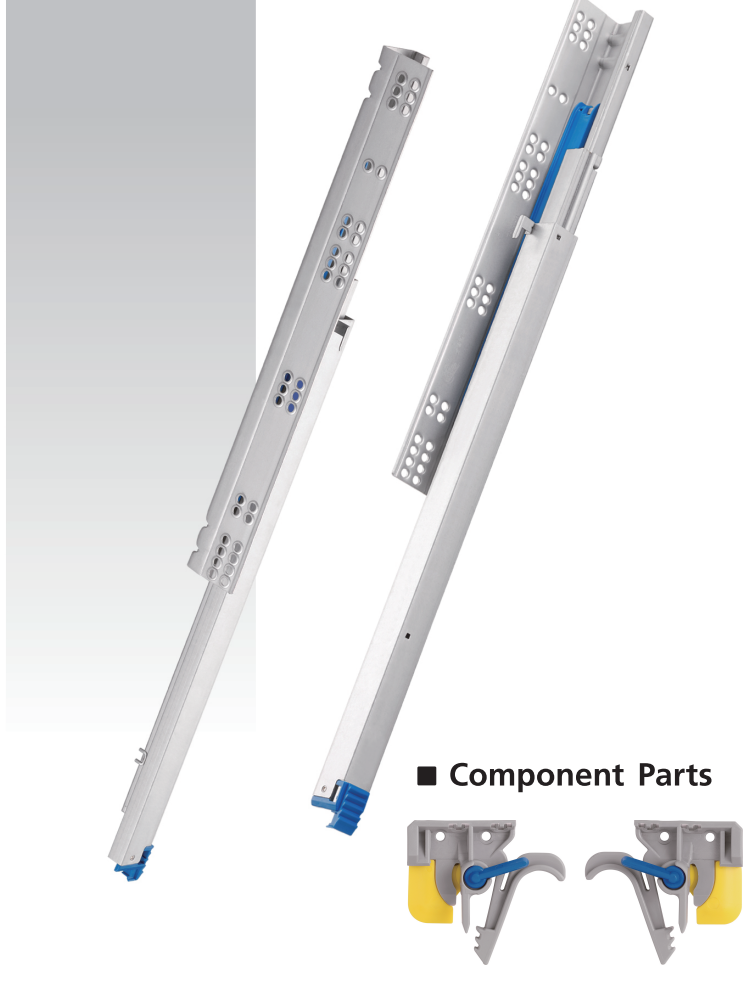




# NJ-A5601

Wooden Drawer Slides  
75 pound class (35 kgs)

## Product Photo



## Features

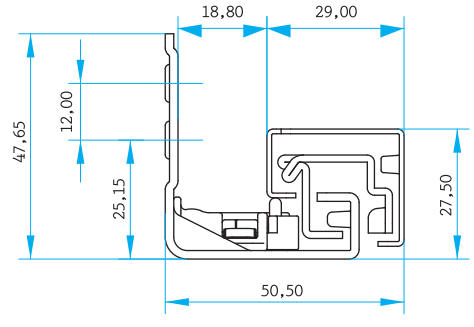


**Mounting** | Under mount.  
**Side clearance** | designed and built for 5/8" drawer side panel.  
**Loading** | 75 pound (35 kgs) class.  
**Size** | 300 mm, 350 mm, 400 mm, 450 mm, 500 mm, 550 mm, 600 mm.  
**Feature** | extremely silent and effortless drawer movement, height adjustment, and quick drawer removal handle along with new dampening mechanism.  
**Finish** | galvanized steel.  
**Packaging** | distribution packaging.  
**Option** | deluxe packaging.

## Component Parts



## Profile



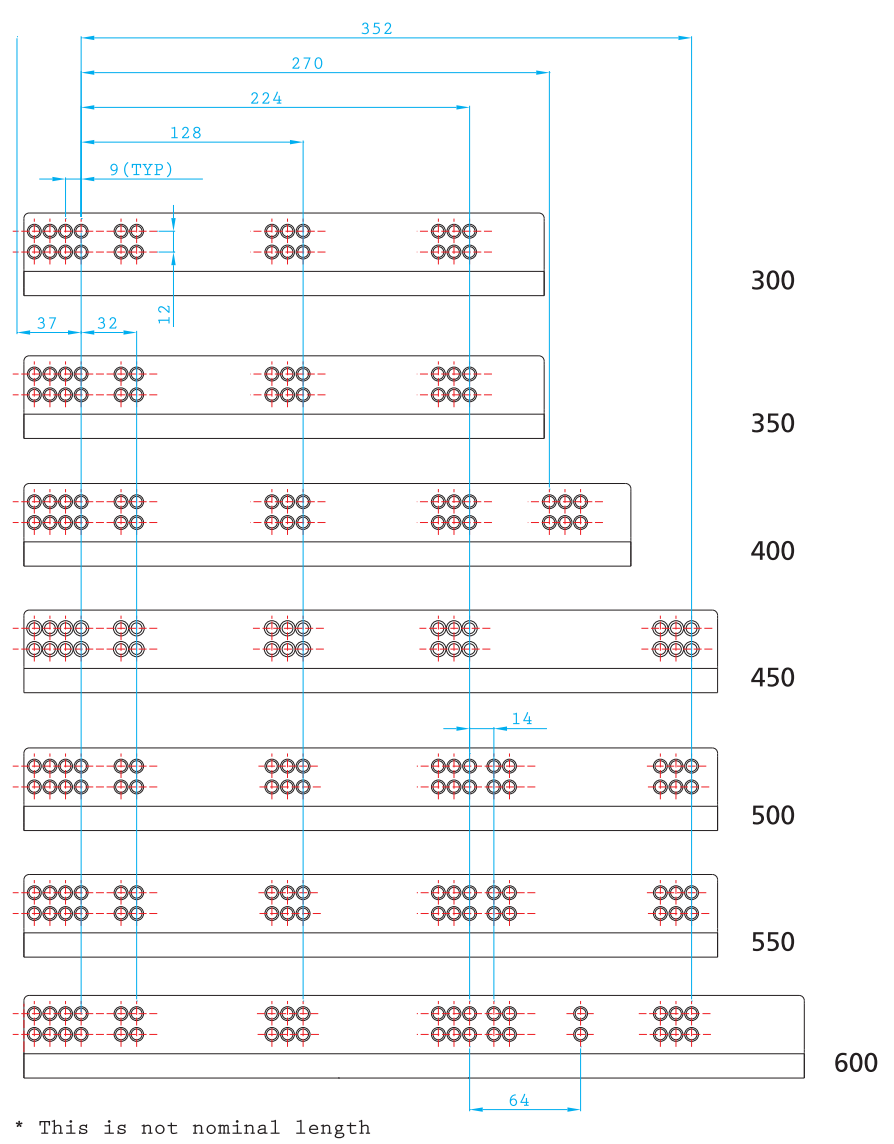
## Surface Treatment

- Clear Zinc
- Black Zinc
- Black E. Coating
- White E Coating
- Stainless Steel
- Galvanized Steel

## Packaging

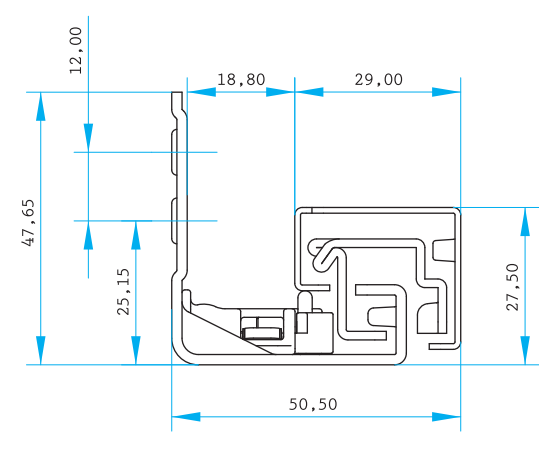
■ Distribution / 6 pairs per box  
 \*Box QTY might vary with different length, the info provided here is based on 18" (450 mm)

## Drawing



\* This is not nominal length

## Profile



## Specification Table

ITEM	ST (mm)	TL (mm)
A5601-300	289.0	300.0
A5601-350	350.0	350.0
A5601-400	400.0	400.0
A5601-450	450.0	450.0
A5601-500	500.0	500.0
A5601-550	550.0	550.0
A5601-600	600.0	600.0

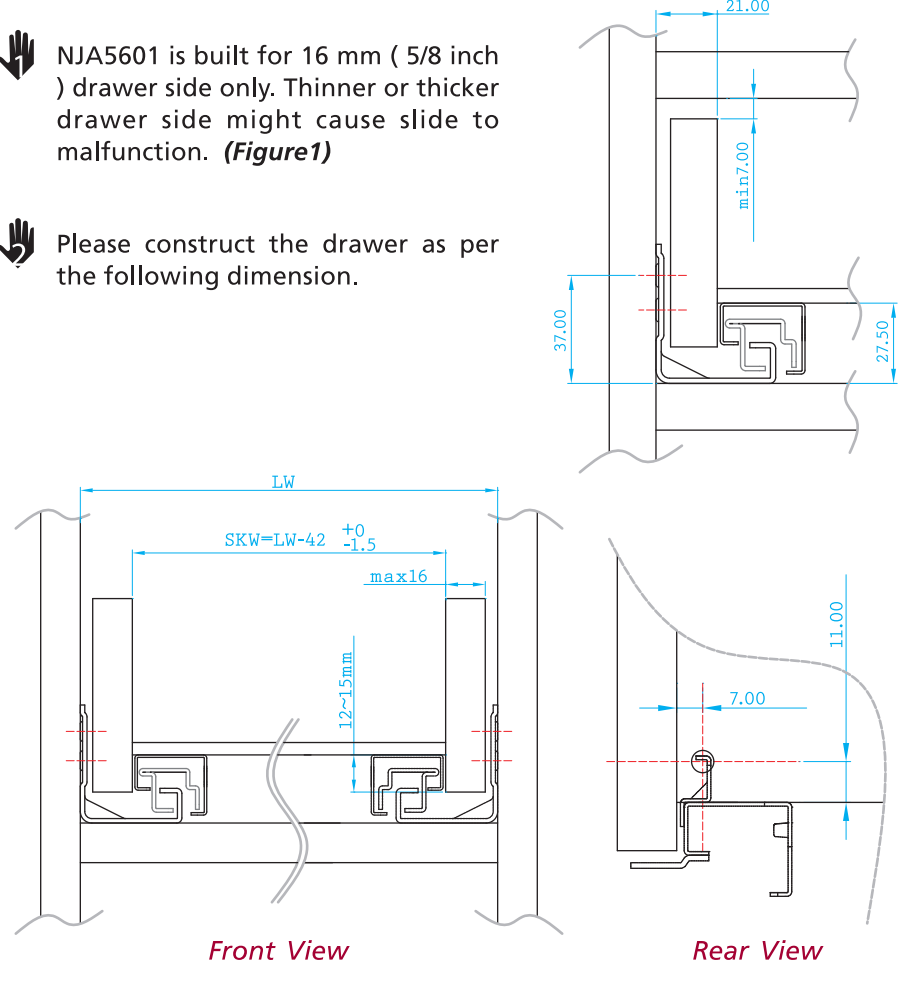
## Installation Instructions

### Calypso Wooden Drawer Quick Installation Guide of A5601

NJA5601 / Metric Measurement (European style) / 16 mm ( 5/8 inch ) drawer side / 35 kgs loading ( 75 pound )

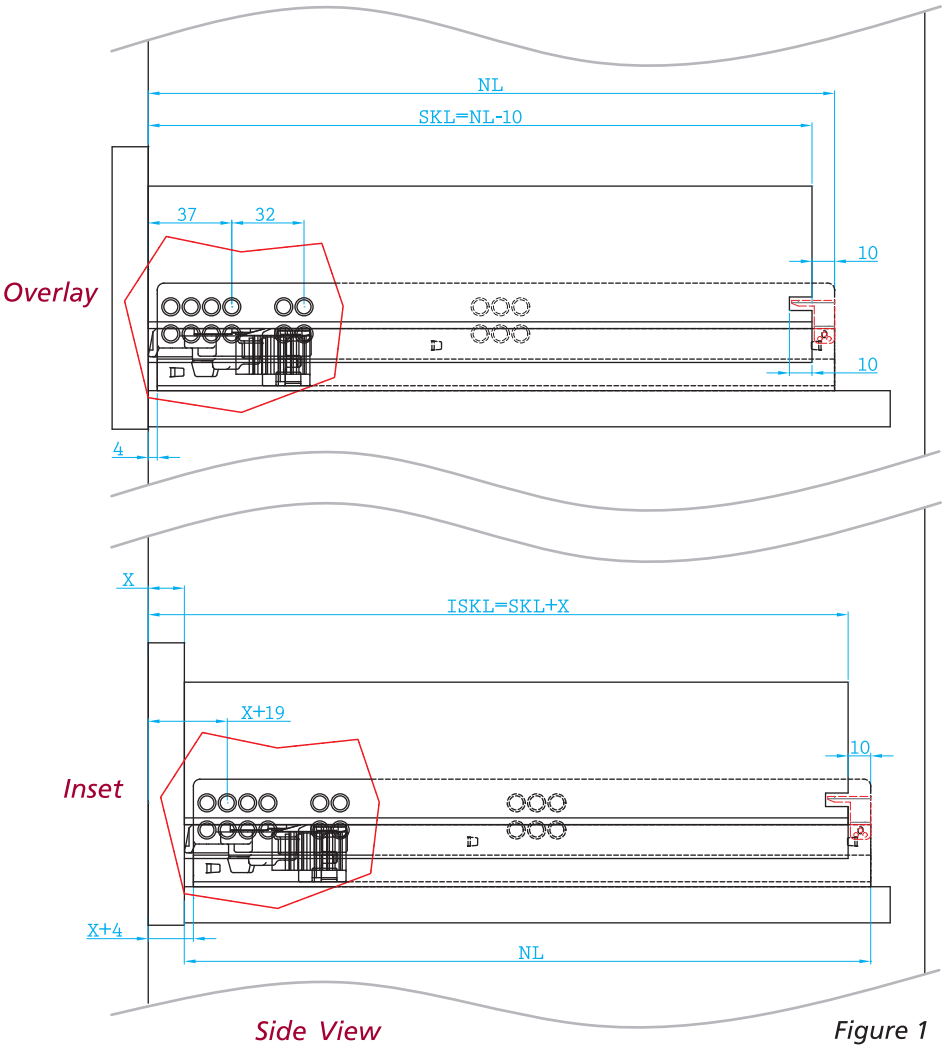
#### Step 1 > Drawer construction

- ✎ NJA5601 is built for 16 mm ( 5/8 inch ) drawer side only. Thinner or thicker drawer side might cause slide to malfunction. (Figure1)
- ✎ Please construct the drawer as per the following dimension.



LW=Cabinet inner width  
SKW=Drawer inner width

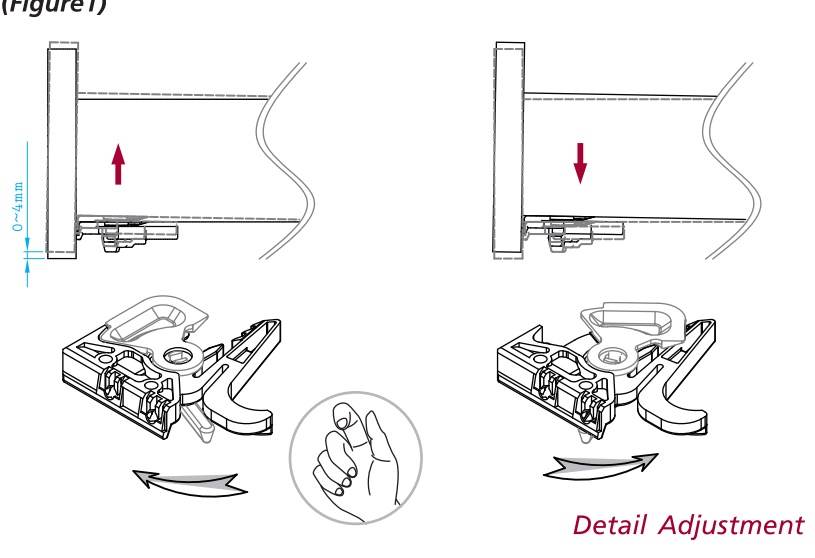
\*\* Recommended screw – #7 counter sunk screw



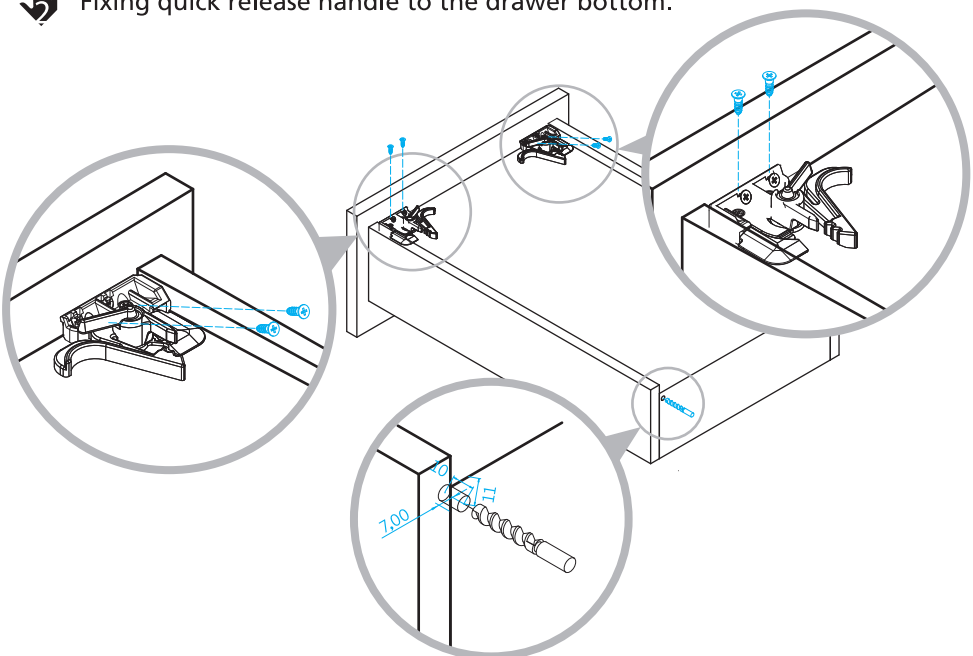
NL=Slide length  
SKL=Drawer length (w/o front)  
ISKL=Overall drawer length (w/front)  
SNL=Slide length(NL) + 4 mm  
X=Drawer front thickness

#### Step 2 > Adjustment

- ✎ For drawer front height adjustment, please rotate the lever as the illustration. You may raise the drawer front by a maximum of 4 mm. (Figure1)



- ✎ Fixing quick release handle to the drawer bottom.



#### Step 3 > Drawer removal

- ✎ Pull the handle forward to release. (Figure1)

