



NJ-87001

Rear Interlock (Anti-tilt)
100 pound class (45 kgs)



Rear Interlock

» Features » Drawing » Specification Table » Installation Instructions

Product Photo

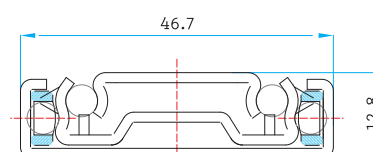


Features



Mounting | Side mount.
Slide Clearance | 12.8 mm plus 0.76 mm, minus 0 each side.
Height | 46.7 mm
Loading | 100 pound (45 kgs) class (based on single side interlock) .
Size | 14" (350 mm) through 28" (700 mm) in 2" (50 mm) increment.
Feature | Rear interlock mechanism, 32 mm hole pattern, easy access windows to reach each hole on cabinet member in closed position, breather tab self adjustment to accommodate variation in side clearance, release trigger for quick drawer removal.
Option | None.

Profile



Surface Treatment

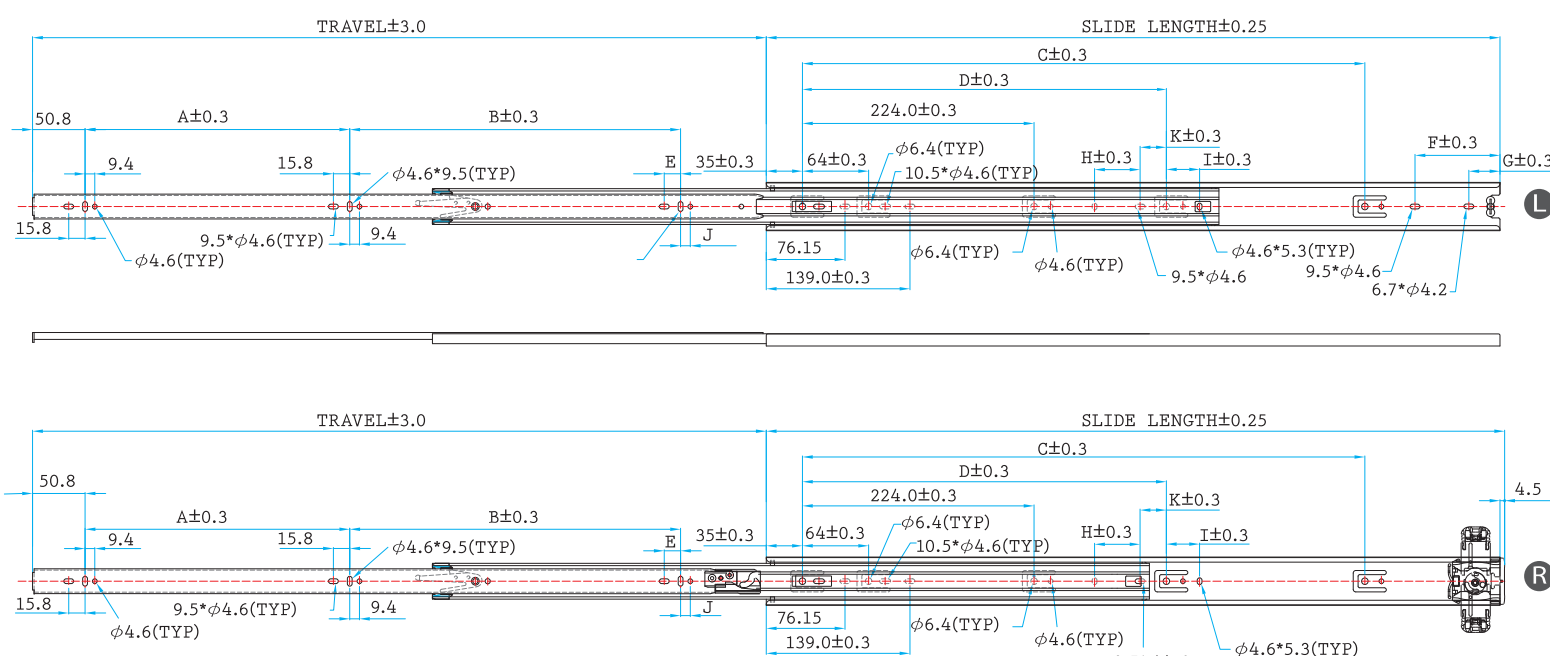
- Clear Zinc
- Black Zinc
- Black E. Coating
- White E Coating
- Stainless Steel
- Galvanized Steel

Packaging

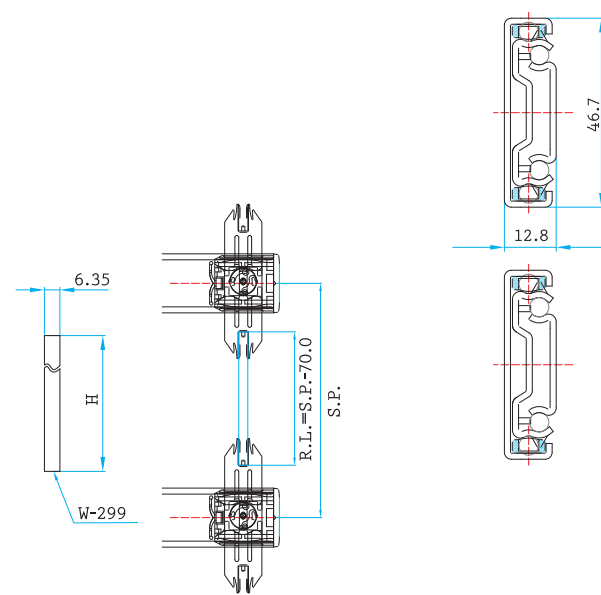
- Distribution / 9 pairs per box
- Bulk

*Box QTY might vary with different length, the info provided here is based on 18" (450 mm)

Drawing



Profile



Specification Table

SIZE	SL	TL	A	B	C	D	E	F	G	H	I	J	K
14" (350mm)	355.60(14.000)	355.60(14.000)	96.00(3.779)	128.00(5.039)				46.60(1.834)	18.00(0.708)			9.40(0.370)	
16" (400mm)	406.40(16.000)	406.40(16.000)	128.00(5.039)	160.00(6.299)		288.00(11.338)	15.80(0.622)	33.40(1.314)	18.00(0.708)				
18" (450mm)	457.20(18.000)	457.20(18.000)	160.00(6.299)	160.00(6.299)		320.00(12.598)	15.80(0.622)	18.00(0.708)	44.00(1.732)			9.40(0.370)	25.45(1.002)
20" (500mm)	508.00(20.000)	508.00(20.000)	192.00(7.559)	192.00(7.559)		352.00(13.858)	15.80(0.622)	18.00(0.708)	44.00(1.732)	32.15(1.265)		9.40(0.370)	25.45(1.002)
22" (550mm)	558.80(22.000)	558.80(22.000)	192.00(7.559)	224.00(8.819)	416.00(16.377)	352.00(13.858)	15.80(0.622)	57.80(2.275)	18.00(0.708)	44.00(1.732)	32.15(1.265)		25.45(1.002)
24" (600mm)	609.60(24.000)	609.60(24.000)	224.00(8.818)	256.00(10.078)	480.00(18.897)	352.00(13.858)	15.80(0.622)	44.80(1.763)	18.00(0.708)	44.00(1.732)	32.15(1.265)	9.40(0.370)	25.45(1.002)
26" (650mm)	660.40(26.000)	660.40(26.000)	256.00(10.078)	288.00(11.338)	554.00(21.811)	352.00(13.858)	15.80(0.622)	18.00(0.708)	44.00(1.732)	32.15(1.265)			25.45(1.002)
28" (700mm)	711.20(28.000)	711.20(28.000)	256.00(10.078)	320.00(12.598)	554.00(21.811)	352.00(13.858)	15.80(0.622)	82.20(3.236)	18.00(0.708)	44.00(1.732)	32.15(1.265)	9.40(0.370)	25.45(1.002)

Installation Instructions

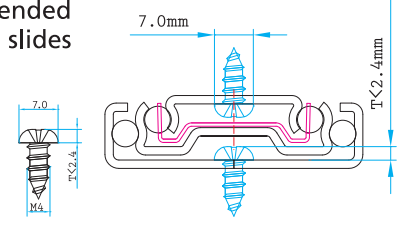
QUICK INSTALLATION GUIDE OF NJ-87001

Rear Interlock (Anti-tilt), 100 pound (45 kgs) loading

READ THE QUICK INSTALLATION GUIDE FIRST BEFORE INSTALLATION

A. One 4 high vertical file cabinet requires 4 pairs of slides, 3 pieces of connecting rods and 6 tabs*. Rod length is recommended to be the distance from CL of upper slides to CL of the lower one deduct 70 mm (± 05 mm)

* NJ-87001 is single interlock system, so it requires connecting rods for one side of slides.



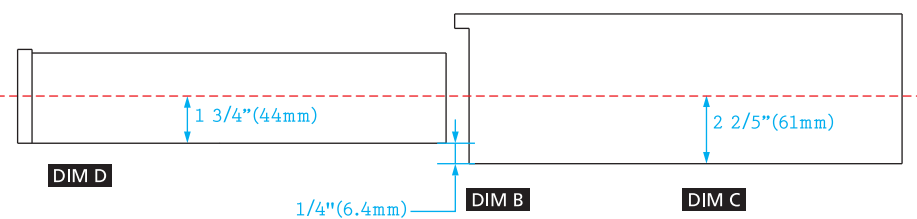
Technical Specifications for drawer

① Drawer or pulling-out shelf must be at least 13.00 mm narrower than cabinet opening on each side. (DIM A)

② Bottom of drawer or pulling-out shelf bottom shall have 6.4 mm or 1/4" minimum clearance from the bottom of Cabinet. (DIM B)

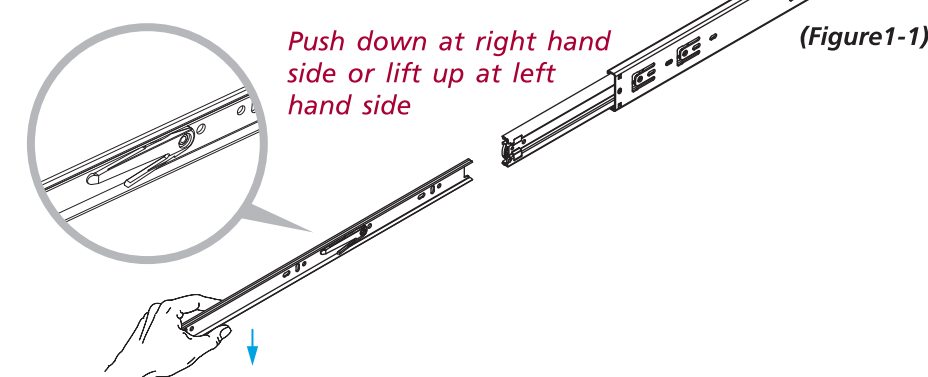
③ Mark a 61 mm or 2 2/5" line from the bottom of cabinet. (DIM C)

④ Mark a 44 mm or 1 3/4" line for the bottom of drawer. (DIM D)

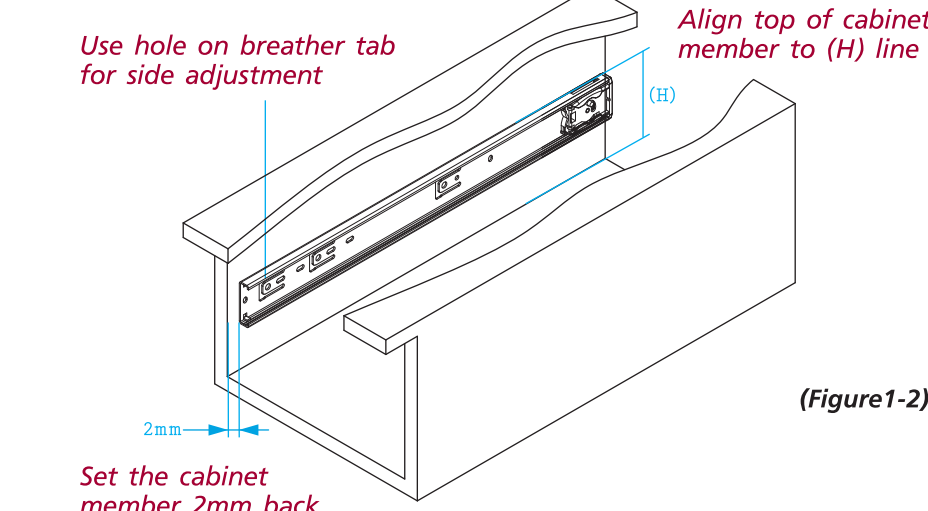


Step 1 > Install cabinet member to cabinet

Push down or lift up release trigger on the right or left to disconnect the drawer member. (Figure1-1)



Align top of cabinet member to the 61 mm or 2 2/5" line, and place slide 2 mm backward from cabinet opening. (Figure1-2)

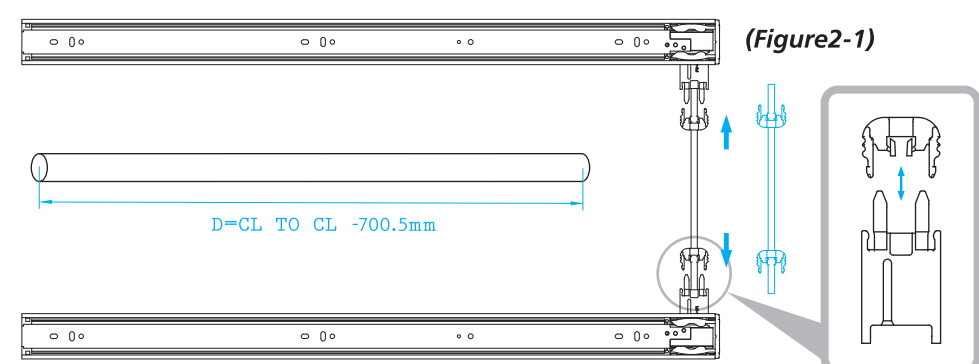


Fix the slides through the most flexible holes on breather tab for best slide performance. Leave the screw loose for final adjustment. Move the slides back and forth, and make sure no screw is bound.

Step 2 > Install connecting rods

split the tab, and mount upper tab as shown on the following figure. (Figure2-1)

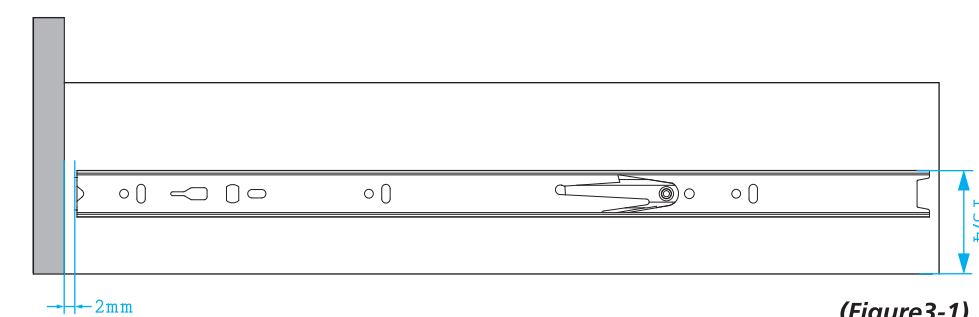
insert the lower tab into the slot. place rod into the cavity of lower tab, and push upper tab to engage with lower tab.



Step 3 > Install drawer member to drawer

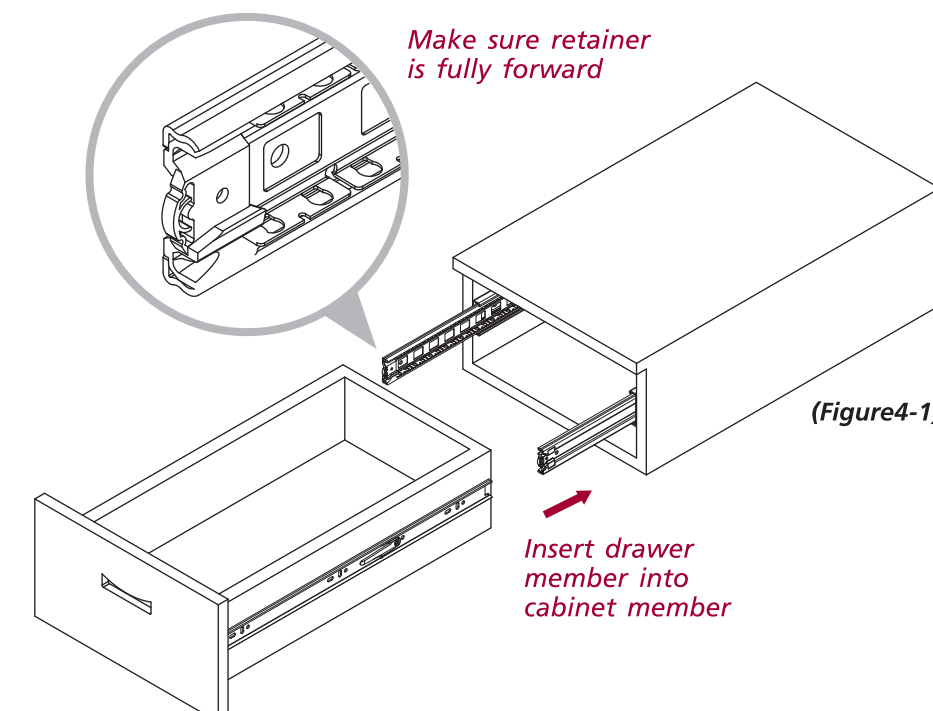
Align top of drawer member to the 44 mm or 1 3/4" line, and place drawer member 2 mm backward from the drawer front or the pulling-out shelf edge. Shall the silencing cushion is used, place drawer member 5.2 mm backward. (Figure2-1)

Fix the drawer member through vertical slots for vertical adjustment. Leave the screw loose for final adjustment.



Step 4 > Insert drawer into cabinet

Make sure the bearing retainers are fully forward and rear interlock is in open position. Insert drawer member into the cabinet member, and then close the drawer completely. (Figure3-1)



Final Adjustment.....

Try to open and close the drawer to see if the slides function correctly. If so, secure the screws and install additional screws as necessary. If interlock do not function correctly, please check rod length and center to center distance, and make adjustments or you may contact Repon or local rep for support.

※ You may also mount all the slides first, and then insert the connect rod with tabs into the slot.

NAN JUEN INTERNATIONAL CO., LTD.
 No.2, Dazhi Rd., Taoyuan Dist., Taoyuan City 330, Taiwan (R.O.C.)
 T + 886 - 3 - 3642777 (Rep.) F + 886 - 3 - 3762777
www.repongroupp.com

