



NJ-81A14

Detent Open

150 pound class (68 kgs)

Product Photo

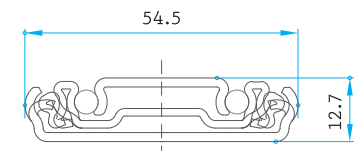


Features



Mounting | Side mount.
 Slide Clearance | 1/2" (12.7 mm) + 1/16"
 Height | 2-25" (54.5 mm)
 Loading | 150 pound (68 kgs) class.
 Size | 15.75", 18", 20", 30"
 Feature | Heavy-duty full extension, quick release triggers allow quick drawer removal, anti-rebound bumpers, non-handed slide member. Detent open device incorporated.
 Option | None.

Profile



Surface Treatment

- Clear Zinc
- Black Zinc
- Black E. Coating
- White E Coating
- Stainless Steel
- Galvanized Steel

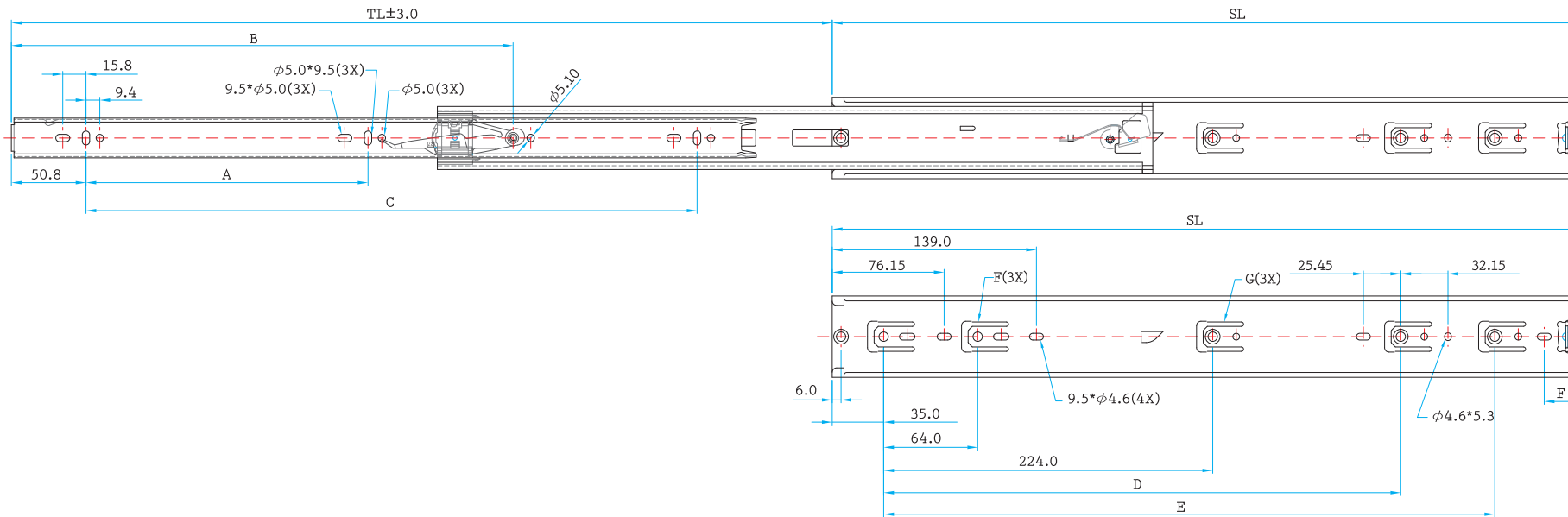
Packaging

■ Distribution / 10 pairs per box

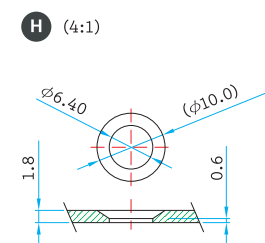
*Box QTY might vary with different length, the info provided here is based on 18" (450 mm)

Drawing

Profile



Component Parts



Specification Table

SIZE	SL	TL	A	B	C	D	E	F
15.75" (400mm)	400.05	450.85	128.00	302.75	192.00			320.00
18" (450mm)	457.20	508.00	160.00	328.15	192.00			352.00
20" (500mm)	508.00	558.80	192.00	353.55	224.00			416.00
30" (750mm)	762.00	812.80	256.00	480.55	352.00			558.00

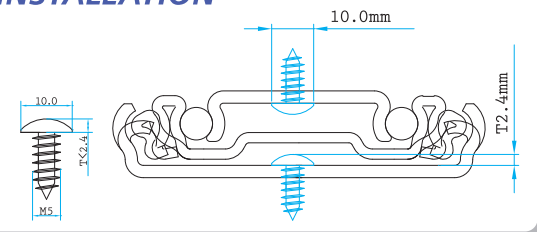
Installation Instructions

QUICK INSTALLATION GUIDE OF NJ-81A14

Detent Open, Full Extension Slides, 150 pound (68 kgs) loading

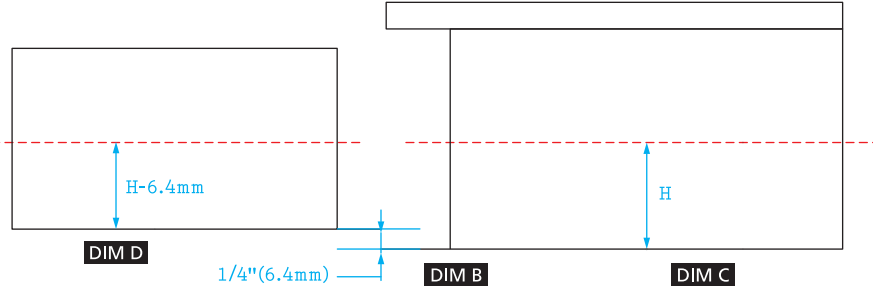
READ THE QUICK INSTALLATION GUIDE FIRST BEFORE INSTALLATION

A. Recommended screws for fixing - #8 pan head screws. Each side of slide requires at least 6 screws.



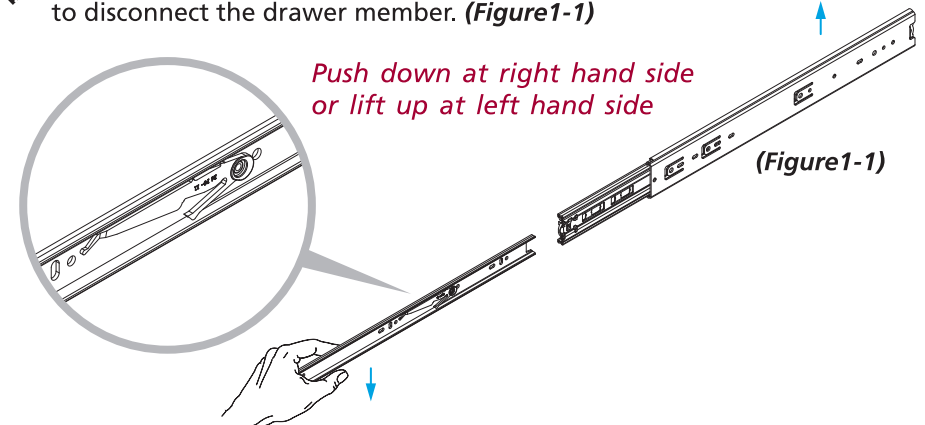
Technical Specifications for drawer or pull-out shelf

- Drawer or pulling-out shelf must be at least 13.0 mm narrower than cabinet opening on each side (DIM A)
- Bottom of drawer or pulling-out shelf bottom shall have 6.4 mm or 1/4" minimum clearance from the bottom of Cabinet (DIM B)
- Mark a center line with proper height (H) from the bottom of cabinet (DIM C)
- Mark a center line with proper height (H-6.4 mm) from the bottom of drawer (DIM D)



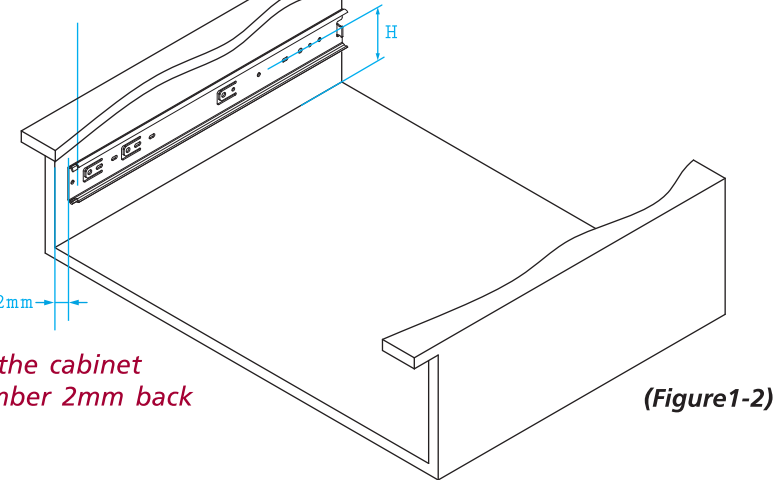
Step 1 > Install cabinet member to cabinet

Push down or lift up release trigger on the right or left to disconnect the drawer member. (Figure1-1)



Align center line of cabinet member to pre-determined center line (H), and place slide 2 mm backward from cabinet opening. (Figure1-2)

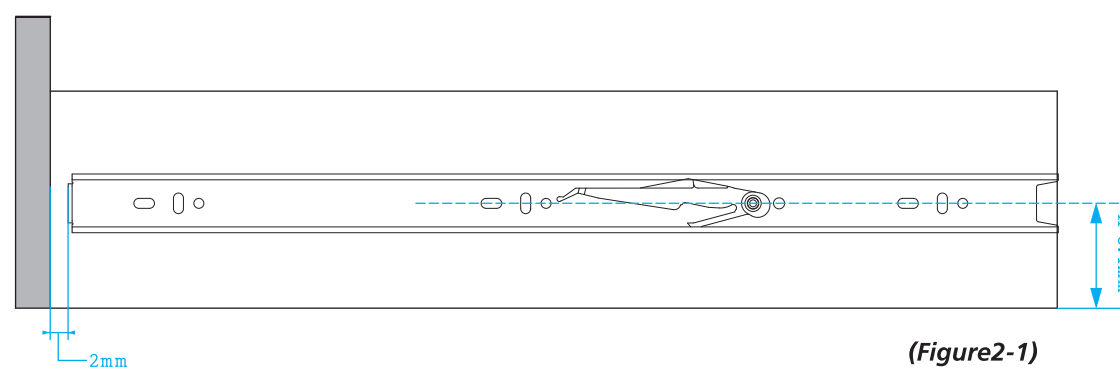
Use hole on breather tab for side adjustment



Fix the slides through the most flexible holes on breather tab for best slide performance. Leave the screw loose for final adjustment. Move the slides back and forth, and make sure no screw is bound.

Step 2 > Install drawer member to drawer

- Align center line of drawer member to the pre determined line (H-6.4 mm), and place drawer member 2 mm backward from the drawer front or the pulling-out shelf edge. Shall the silencing cushion is used, place drawer member 5.2 mm backward. (Figure2-1)
- Fix the drawer member through vertical slots for vertical adjustment. Leave the screw loose for final adjustment.



Step 3 > Insert drawer into cabinet

Make sure the bearing retainers are fully forward. Insert drawer member into the cabinet member, and then close the drawer completely. (Figure3-1)

Final Adjustment.....

Try to open and close the drawer to see if slides function correctly. If so, secure the screws and install additional screws as necessary. If not, please make adjustment till slides function correctly.

*This instruction is for reference only. It may vary due to different applications.

