



# NJ-81002

Full Extension Slides  
130 pound class (60 kgs)

### Product Photo

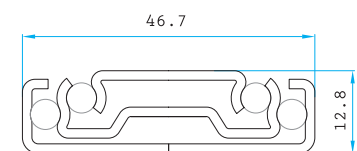


### Features



**Mounting** | Side mount.  
**Side Clearance** | 12.8 mm plus 0.8 mm, minus 0 each side.  
**Height** | 1-27/32" (46.7 mm)  
**Loading** | 130 pound (60 kgs) class.  
**Size** | 12" (300 mm) through 28" (700 mm) at 2" (50 mm) increment.  
**Feature** | Secured mounting tabs design for quick installation. Hold/close function. Lever disconnect for drawer removal.  
**Finish** | Zinc plated.  
**Option** | Black zinc plated, Interlock, 1" over-travel.

### Profile



### Surface Treatment

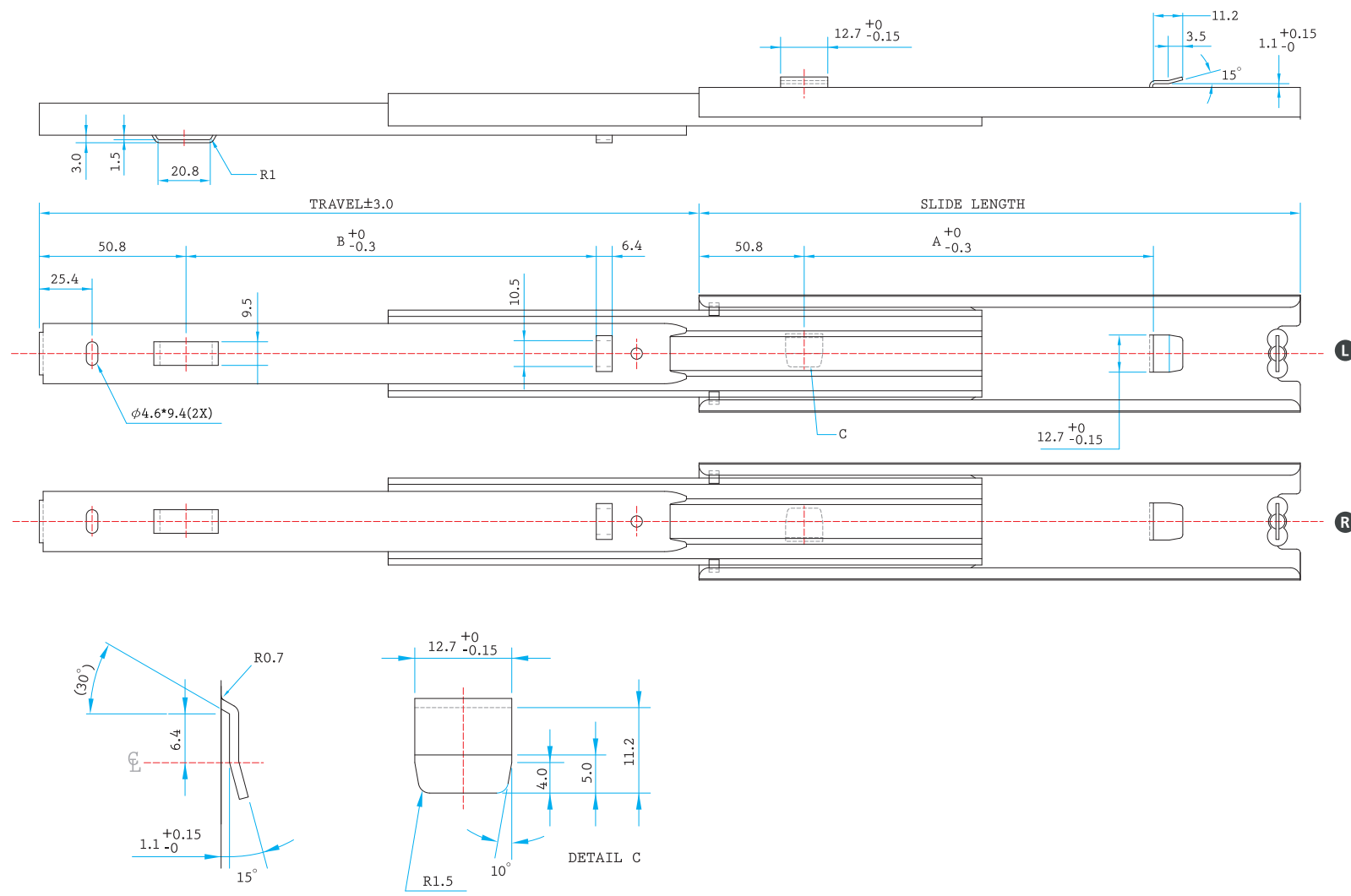
- Clear Zinc
- Black Zinc
- Black E. Coating
- White E Coating
- Stainless Steel
- Galvanized Steel

### Packaging

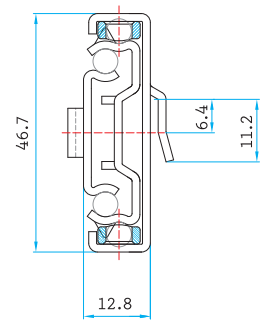
- Distribution / 9 pairs per box
- Production / PH and LH packed separately

\*Box QTY might vary with different length, the info provided here is based on 18" (450 mm)

### Drawing



### Profile



### Specification Table

SIZE	SL	TL	A	B
12" (300mm)	304.8	304.8	203.2	203.2
14" (350mm)	355.6	355.6	254.0	254.0
16" (400mm)	406.4	406.4	304.8	304.8
18" (450mm)	457.2	457.2	279.4	279.8
20" (500mm)	508.0	508.0	330.2	330.2
22" (550mm)	558.8	558.8	381.0	381.0
24" (600mm)	609.6	609.6	431.8	431.8
26" (650mm)	660.4	660.4	482.6	482.6
28" (700mm)	711.2	711.2	533.4	533.4

### Installation Instructions

## QUICK INSTALLATION GUIDE OF NJ-81002

Loading, Full Extension Slides, 130 pound (60 kgs) loading



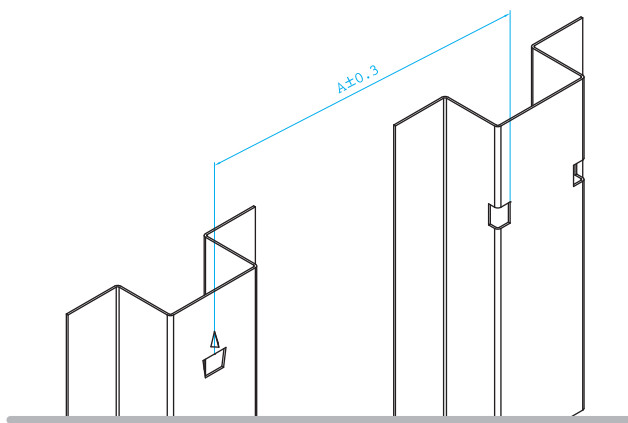
**READ THE QUICK INSTALLATION GUIDE FIRST BEFORE INSTALLATION**

A. The installation guide provides you the information related to drawer slide mounting as reference. You may modify the suggested mounting method or create your own.

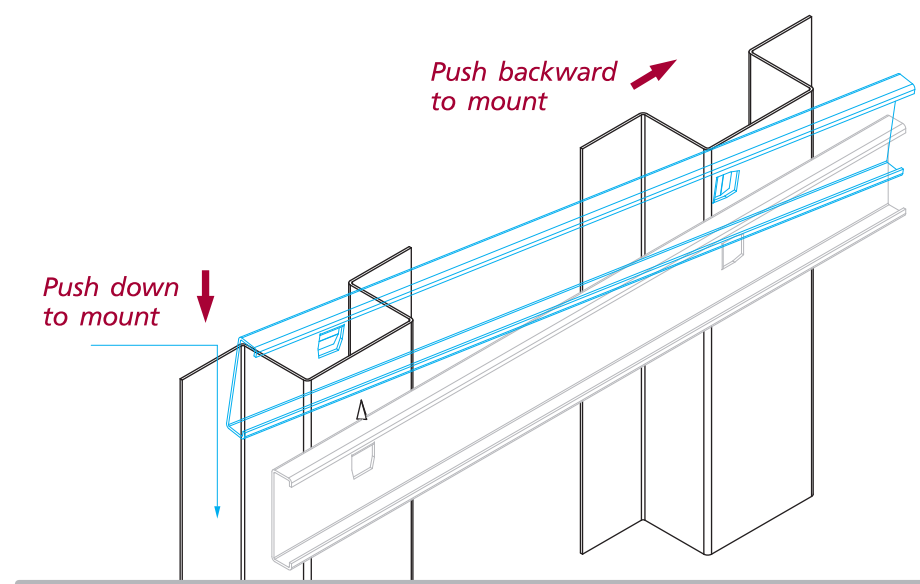
## Step 1 > Technical Specifications for cabinet rack design

Please refer to Fig 1 for the cabinet rack design. (Figure1-1)

PART NO.	A
12" (300mm)	203.2
14" (350mm)	254.0
15" (375mm)	304.8
16" (400mm)	304.8
18" (450mm)	279.4
20" (500mm)	330.2
22" (550mm)	381.0
24" (600mm)	431.8
26" (650mm)	482.6
28" (700mm)	533.4

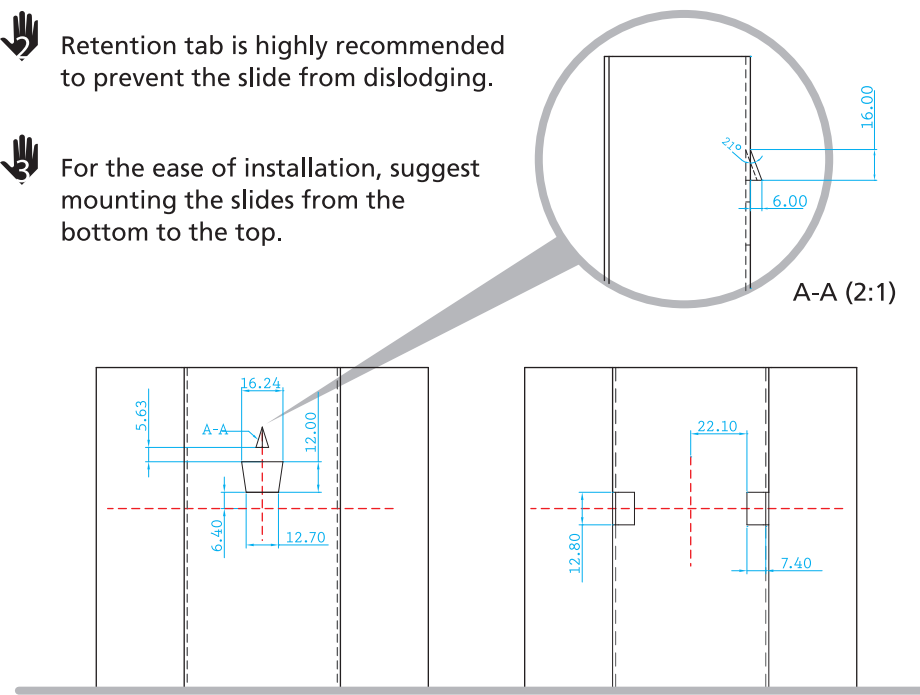


(Figure1-1)



Retention tab is highly recommended to prevent the slide from dislodging.

For the ease of installation, suggest mounting the slides from the bottom to the top.

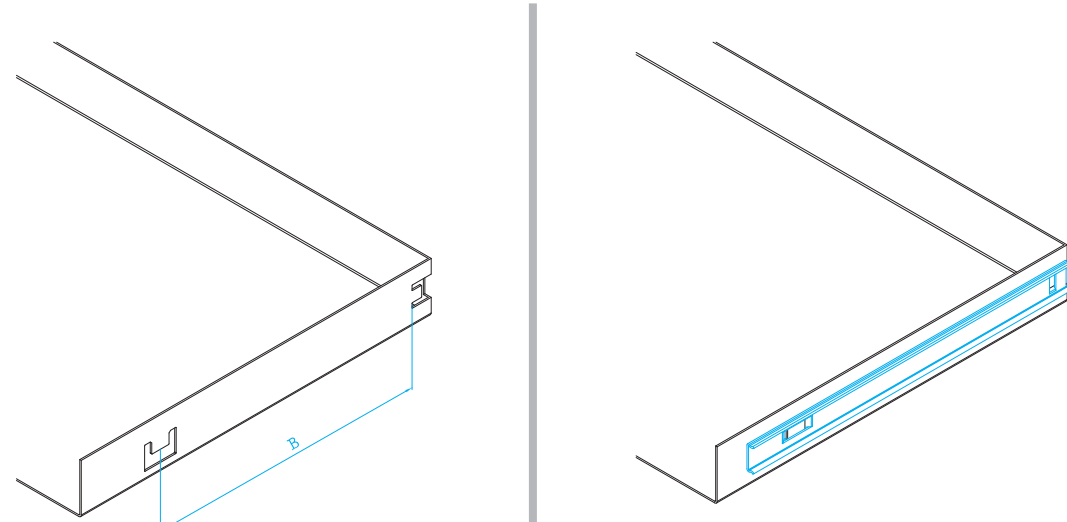


## Step 2 > Technical Specification for drawer cut-out

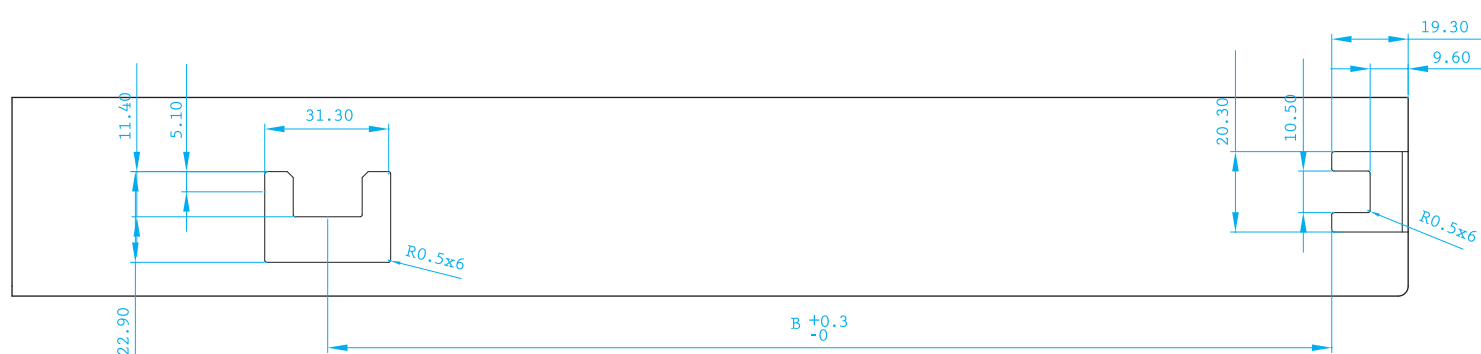
Please refer to Fig 2 for drawer cut-out. (Figure2)

Reverting is highly recommended to prevent the drawer from dislodging.

No need to remove the slide drawer member when install the drawer.



(Figure2)



SIZE(IN)	B
12" (300mm)	203.2
14" (350mm)	254.0
15" (375mm)	304.8
16" (400mm)	304.8
18" (450mm)	279.4
20" (500mm)	330.2
22" (550mm)	381.0
24" (600mm)	431.8
26" (650mm)	482.6
28" (700mm)	533.4

