



NJ-81001

Full Extension Slides
130 pound class (60 kgs)

Product Photo

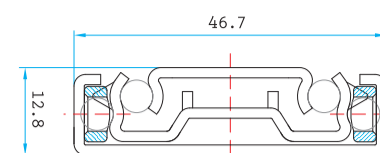


Features



Mounting | Side mount.
Side Clearance | 12.8 mm plus 0.8 mm, minus 0 each side.
Height | 1-27/32" (46.7 mm)
Loading | 130 pound (60 kgs) class.
Size | 12" (300 mm) through 28" (700 mm) at 2" (50 mm) increment.
Feature | 32 mm hole pattern, simple access mounting on drawer and cabinet members. Breathing tabs self adjust to side clearance. Hold/close function. Lever disconnect for drawer removal.
Option | Nterlock, 1" over-travel.

Profile



Surface Treatment

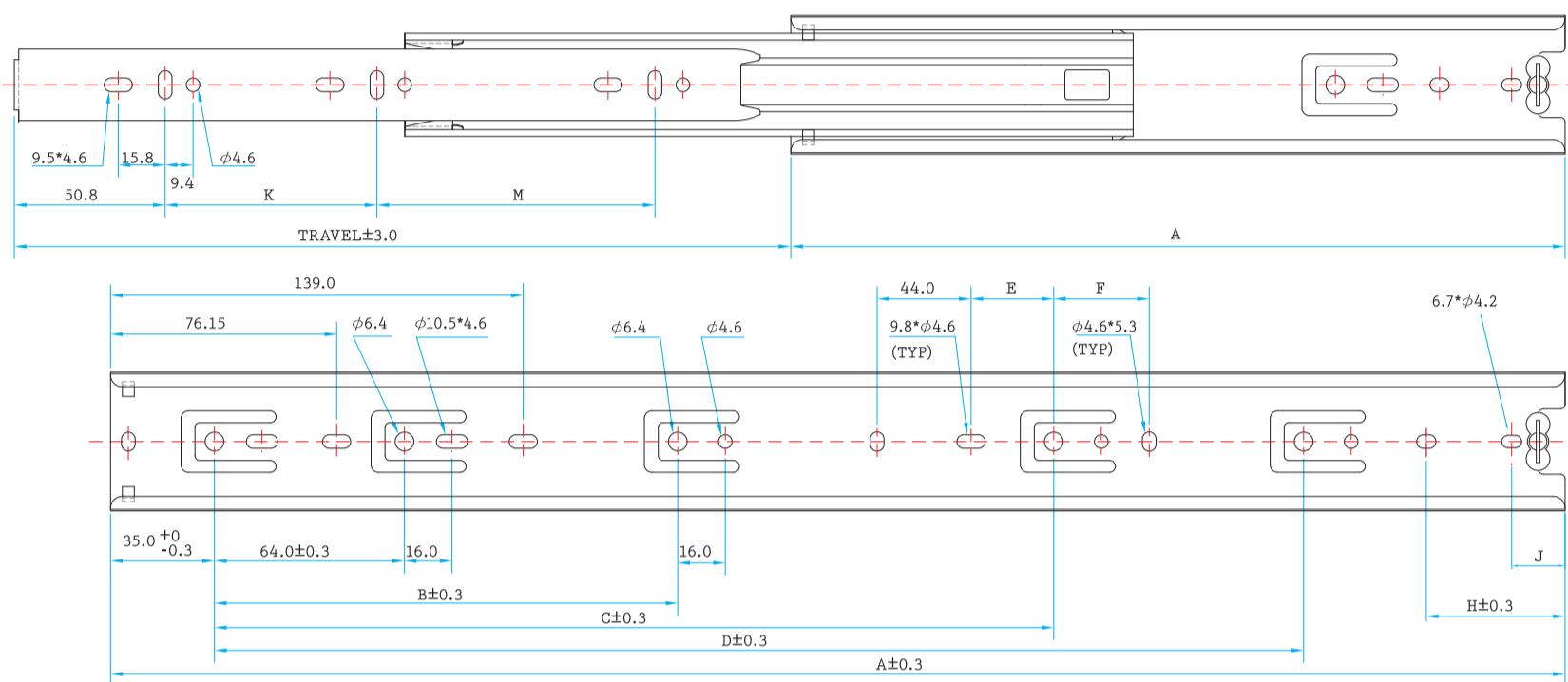
- Clear Zinc
- Black Zinc
- Black E. Coating
- White E Coating
- Stainless Steel
- Galvanized Steel

Packaging

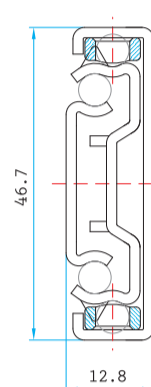
- Distribution / 15 pairs per box
- Production

*Box QTY might vary with different length, the info provided here is based on 18" (450 mm)

Drawing



Profile



Specification Table

SIZE	TL	A	B	C	D	E	F	H	J	K	M
12" (300mm)	304.8	305.05	224.0							96.0	128.0
14" (350mm)	355.6	355.85	224.0					46.6	18.0	128.0	128.0
16" (400mm)	406.4	406.65	224.0	288.0				33.4	18.0	160.0	160.0
18" (450mm)	457.2	457.45	224.0	352.0		25.45	32.15		18.0	160.0	192.0
20" (500mm)	508.0	508.25	224.0	352.0	416.0	25.45	32.15		18.0	192.0	224.0
22" (550mm)	558.8	559.05	224.0	352.0	416.0	25.45	32.15	57.8	18.0	224.0	256.0
24" (600mm)	609.6	609.85	224.0	352.0	480.0	25.45	32.15	44.8	18.0	256.0	256.0
26" (650mm)	660.4	660.65	224.0	352.0	544.0	25.45	32.15		18.0	256.0	320.0
28" (700mm)	711.2	711.45	224.0	352.0	544.0	25.45	32.15	82.2	18.0	256.0	352.0

Installation Instructions

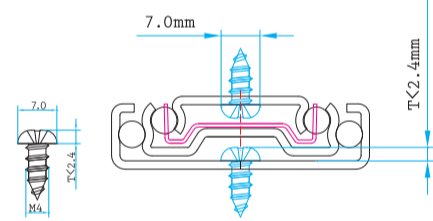
QUICK INSTALLATION GUIDE OF NJ-81001

Loading, Full Extension Slides, 130 pound (60 kgs) loading



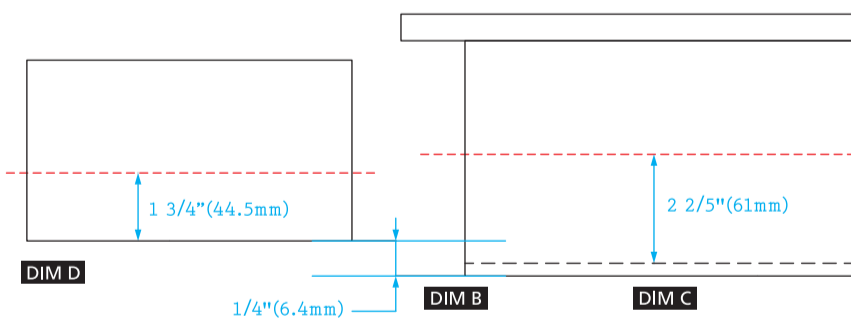
READ THE QUICK INSTALLATION GUIDE FIRST BEFORE INSTALLATION

A. Recommended screws for fixing - #8 pan head screws. Each side of slide requires at least 6 screws.



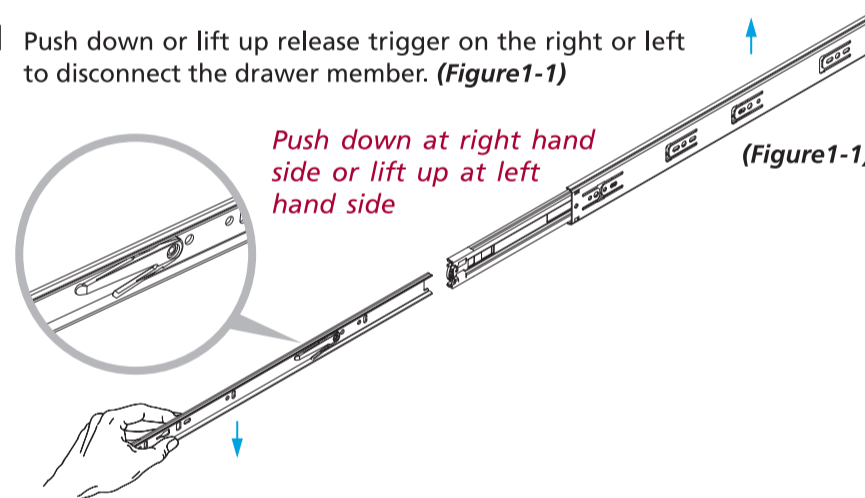
Technical Specifications for drawer or pull-out shelf

- Drawer or pulling-out shelf must be at least 13.00 mm narrower than cabinet opening on each side (DIM A)
- Bottom of drawer or pulling-out shelf bottom shall have 6.4 mm or 1/4" minimum clearance from the bottom of cabinet. (DIM B)
- Mark a 61 mm or 2 2/5" line from the bottom of cabinet. (DIM C)
- Mark a 44 mm or 1 3/4" line for the bottom of drawer. (DIM D)

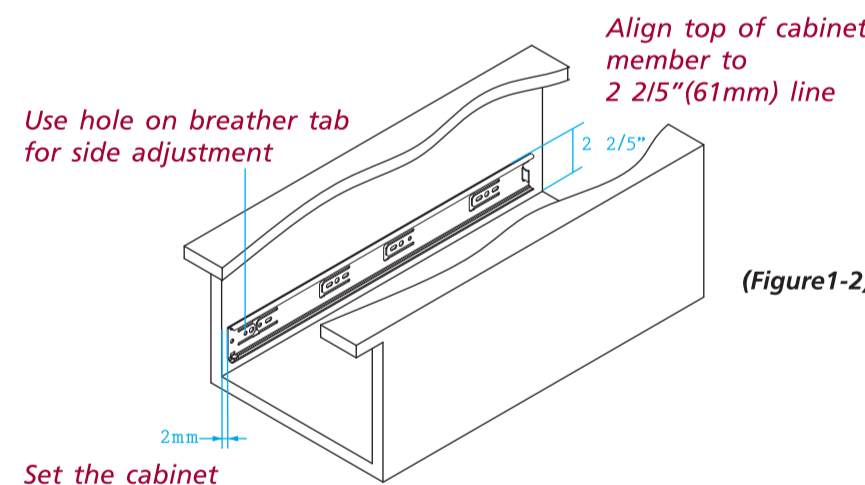


Step 1 > Install cabinet member to cabinet

- Push down or lift up release trigger on the right or left to disconnect the drawer member. (Figure1-1)



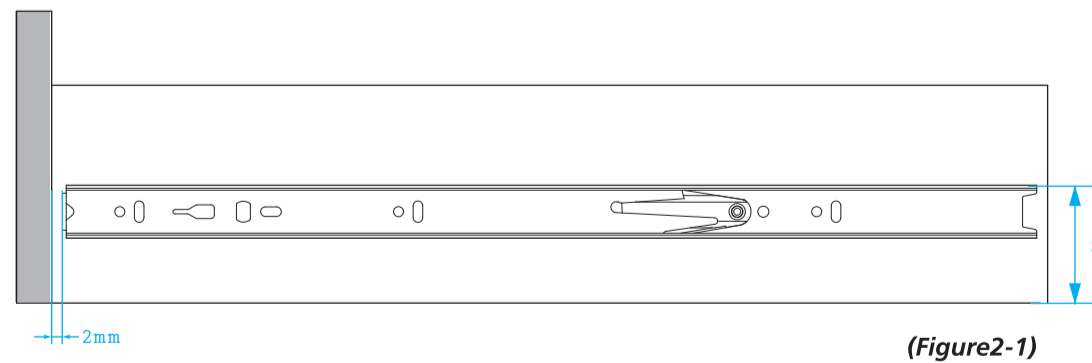
- Align top of cabinet member to the 61 mm or 2 2/5" line, and place slide 2 mm backward from cabinet opening. (Figure1-2)



- Fix the slides through the most flexible holes on breather tab for best slide performance. Leave the screw loose for final adjustment. Move the slides back and forth, and make sure no screw is bound.

Step 2 > Install drawer member to drawer

- Align top of drawer member to the 44 mm or 1 3/4" line, and place drawer member 2 mm backward from the drawer front or the pulling-out shelf edge. Shall the silencing cushion is used, place drawer member 5.2 mm backward. (Figure2-1)
- Fix the drawer member through vertical slots for vertical adjustment. Leave the screw loose for final adjustment.



Step 3 > Insert drawer into cabinet and adjustment

- Make sure the bearing retainers are fully forward. Insert drawer member into the cabinet member, and then close the drawer completely. (Figure3-1)

Final Adjustment.....

Try to open and close the drawer to see if slides function correctly. If so, secure the screws and install additional screws as necessary. If not, please make adjustment till slides function correctly.

※ This instruction is for reference only. It may vary due to different applications.

