



NJ-77A02

Rear Interlock (Anti-tilt)
160 pound class (72 kgs)



Rear Interlock

» Features » Drawing » Specification Table » Installation Instructions

Product Photo

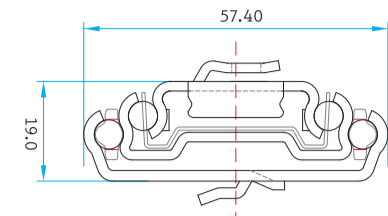


Features



Mounting | Side mount.
Slide Clearance | 19.0 mm plus 1/64", minus 0 each side.
Height | 57.4 mm
Loading | 160 pound (72 kgs) class.
Size | 400 mm
Feature | Bayonet mount, rear interlock.
Option | None.

Profile



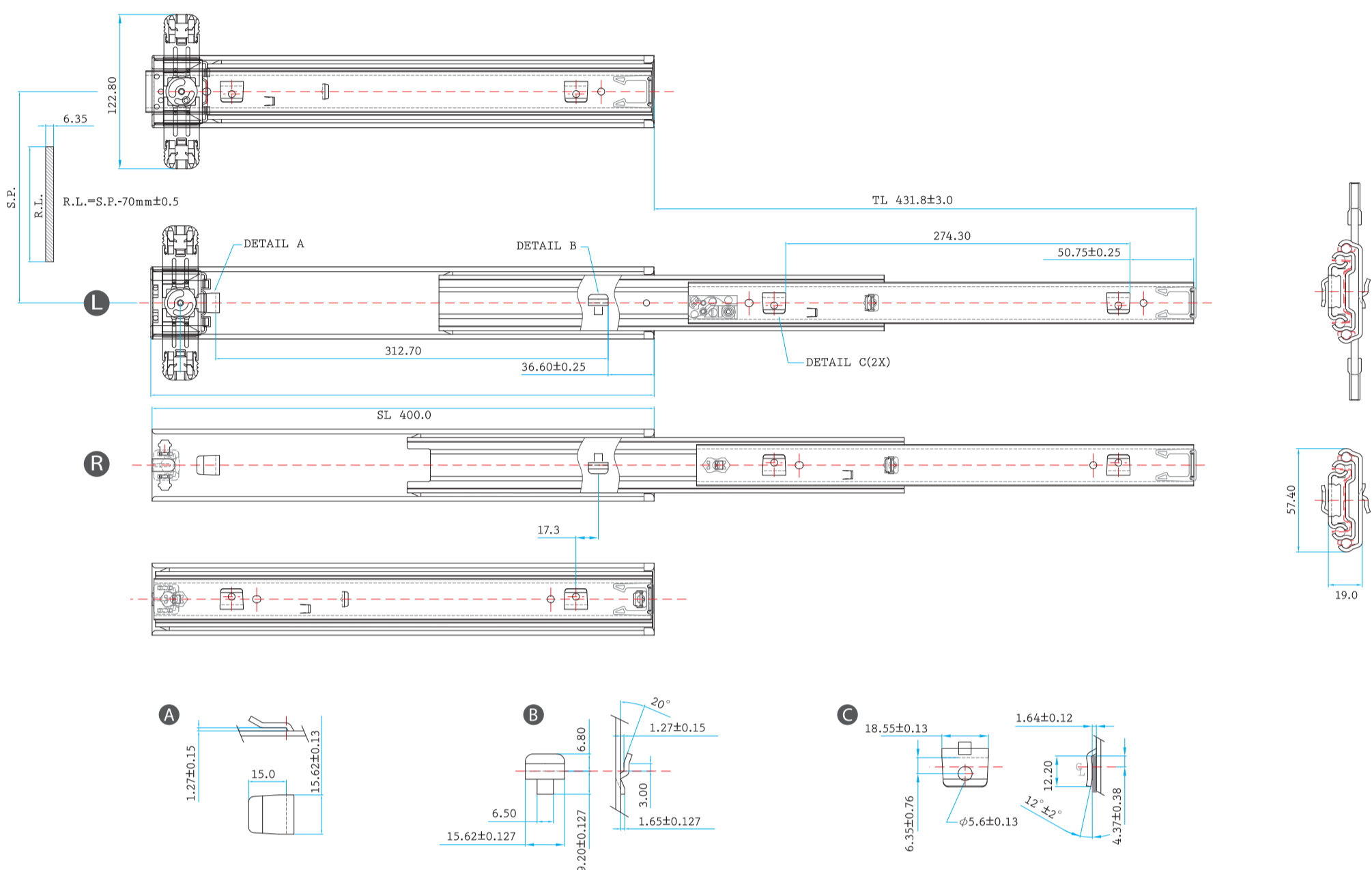
Surface Treatment

- Clear Zinc
- Black Zinc
- Black E. Coating
- White E Coating
- Stainless Steel
- Galvanized Steel

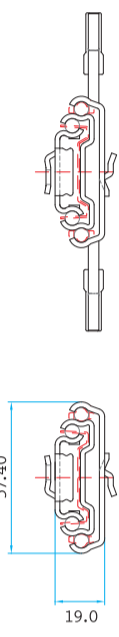
Packaging

- Bulk

Drawing



Profile



Specification Table

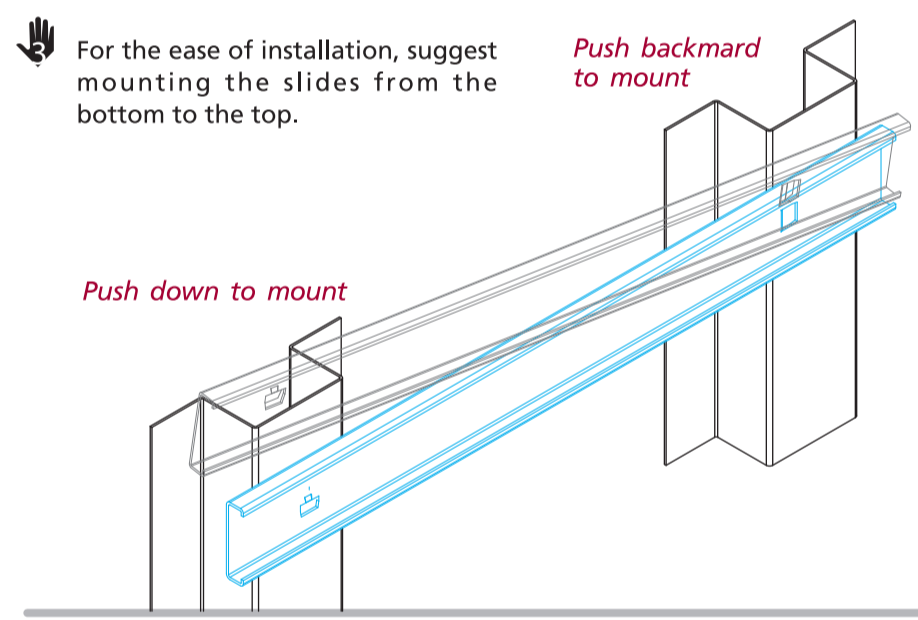
Installation Instructions

QUICK INSTALLATION GUIDE OF NJ-77A02

Rear Interlock (Anti-tilt) , 160 pound (72 kgs) loading

READ THE QUICK INSTALLATION GUIDE FIRST BEFORE INSTALLATION

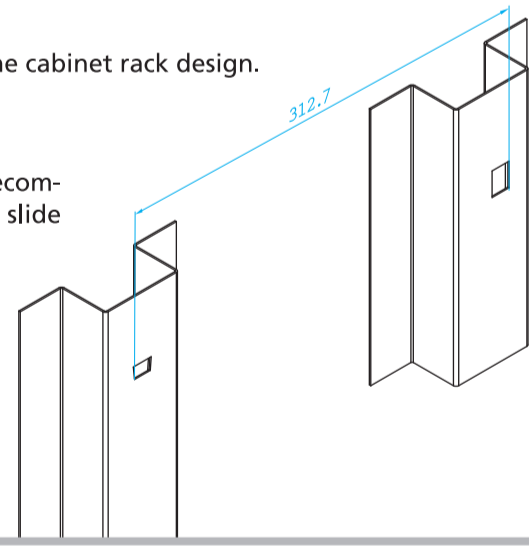
- A. One 4 high lateral file cabinet requires 4 pairs of slides, 3 pieces of connecting rods and 6 tabs*. Rod length is recommended to be the distance from CL of upper slides to CL of the lower one deduct 70 mm (± 05 mm)
* NJ77K01 is single (LH) interlock system, so it requires connecting rods for left hand side of slides.
- B. Please refer to the following print for recommended cut-out dimension for mounting.



Step 1 > Technical Specifications for cabinet rack design

Please refer to Fig 1 for the cabinet rack design. (Figure1)

Retention tab is highly recommended to prevent the slide from dislodging.

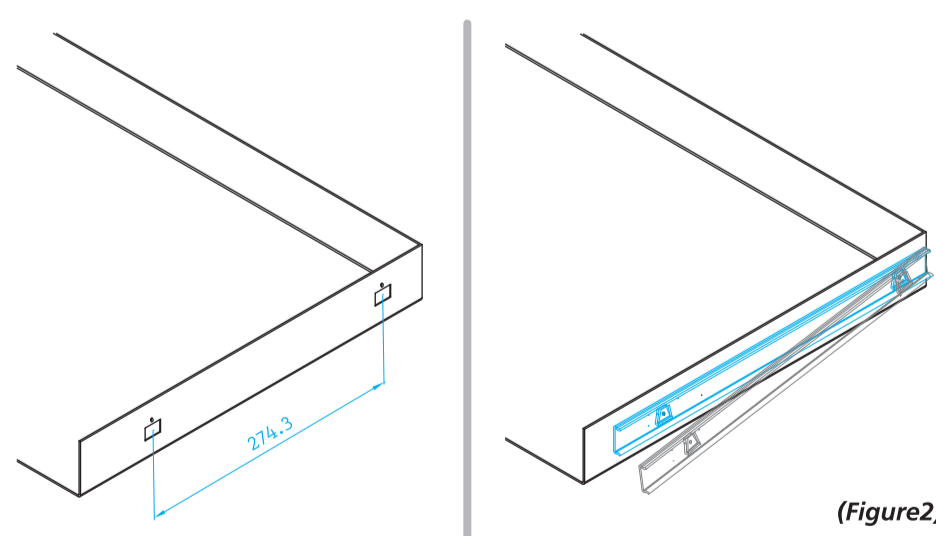


(Figure1)

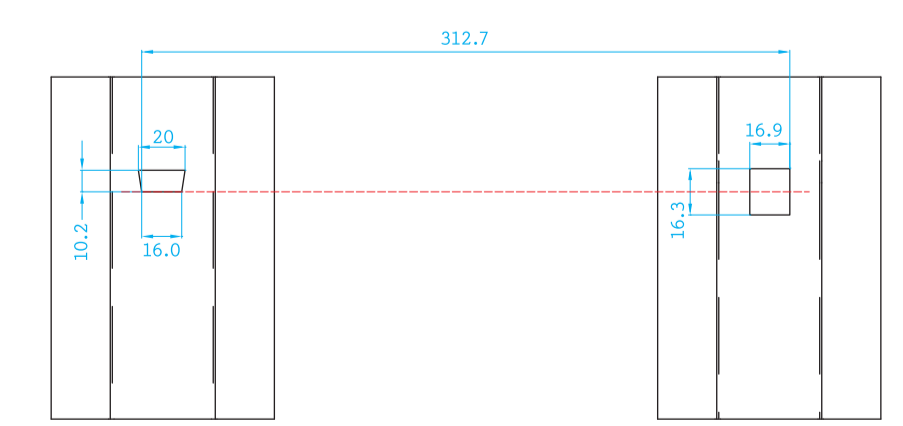
Step 2 > Technical Specification for drawer cut-out

Please refer to Fig 2 for drawer cut-out. (Figure2)

- Retention tab is highly recommended to prevent the drawer from dislodging.
- No need to remove the slide drawer member when install the drawer.



(Figure2)

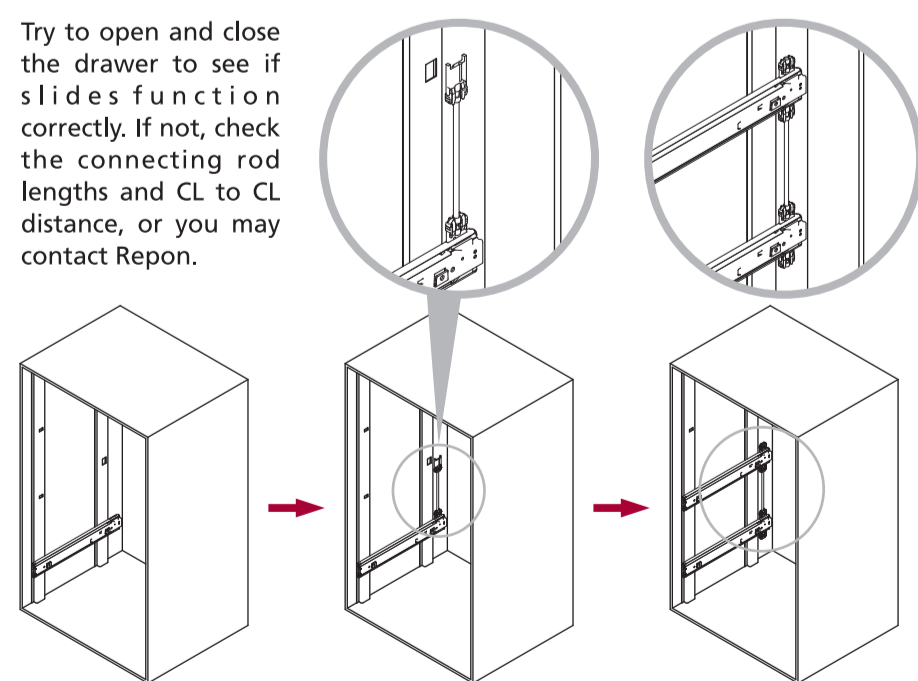


Step 3 > Mount the slides from the bottom

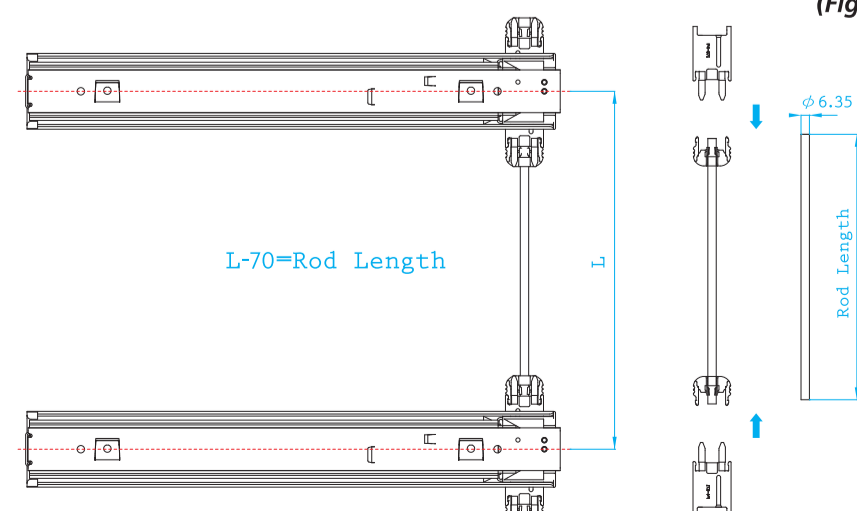
* you may also mount all the slides first, and then insert the connect rod with tabs into the slot. (Figure3)

Final Adjustment.....

Try to open and close the drawer to see if slides function correctly. If not, check the connecting rod lengths and CL to CL distance, or you may contact Repon.



(Figure3)



※ This instruction is for reference only. It may vary due to different applications.

NAN JUEN INTERNATIONAL CO., LTD.
No.2, Dazhi Rd., Taoyuan Dist., Taoyuan City 330, Taiwan (R.O.C.)
T + 886 - 3 - 3642777(Rep.) F + 886 - 3 - 3762777
www.repongroupp.com

