



NJ-76K03

Full Extension Slides
180 pound class (80 kgs)

Product Photo

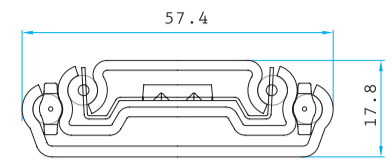


Features



Mounting | Side mount.
Side Clearance | 0.701" (18 mm) plus 1/32" minus 0 each side.
Height | 2.26" (57.4 mm)
Loading | 180 pound (80 kgs) class.
Size | 15.63" (397 mm)
Feature | Bayonet mounting, detent close bumper, 1.8" over-travel.
Option | Interlock self close.

Profile



Surface Treatment

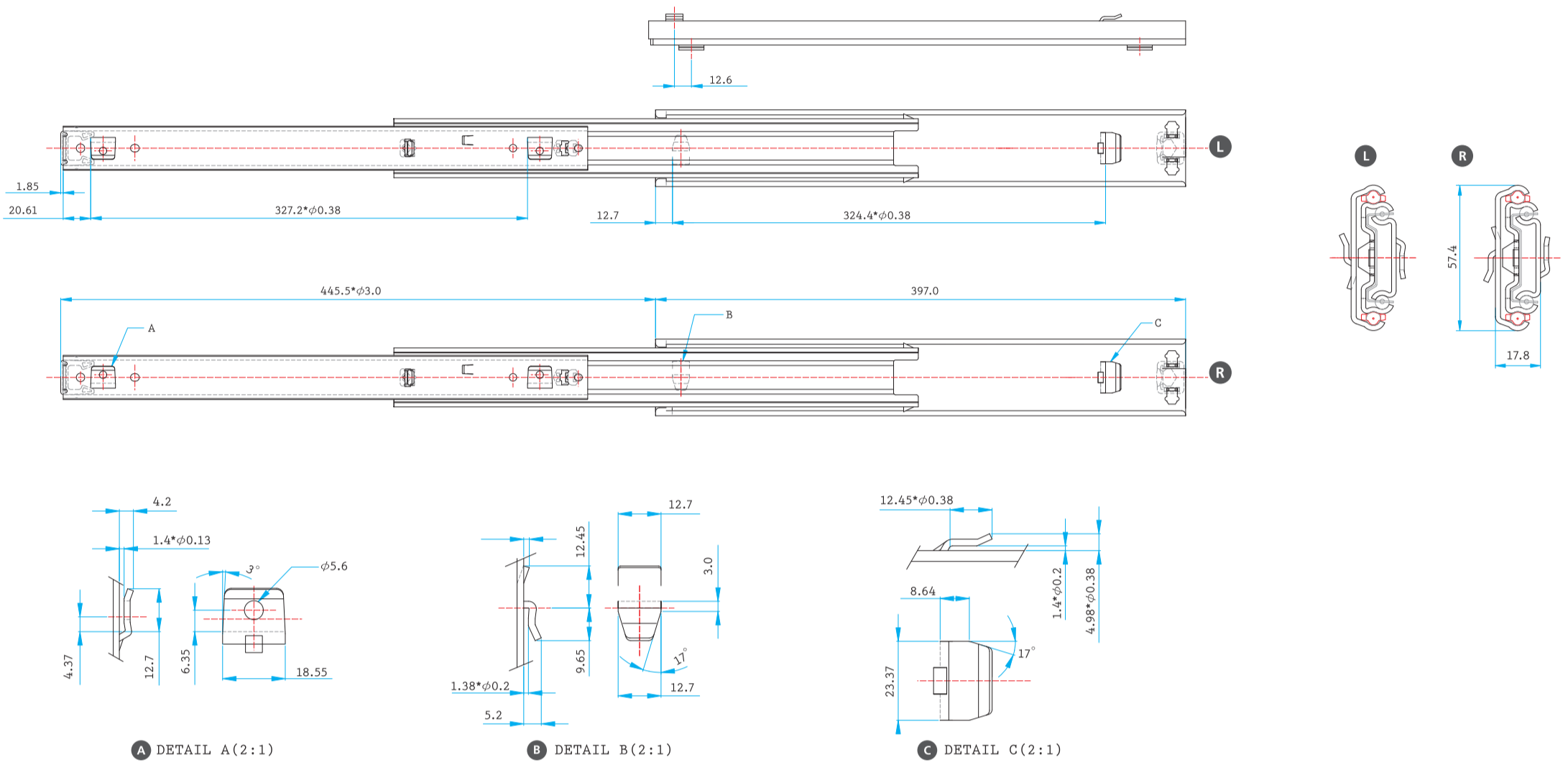
- Clear Zinc
- Black Zinc
- Black E. Coating
- White E Coating
- Stainless Steel
- Galvanized Steel

Packaging

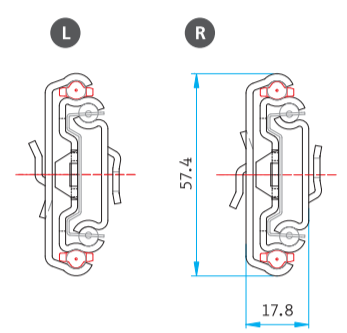
- Production
- Bulk

*Box QTY might vary with different length, the info provided here is based on 18" (450 mm)

Drawing



Profile



Specification Table

Installation Instructions

QUICK INSTALLATION GUIDE OF NJ-76K03

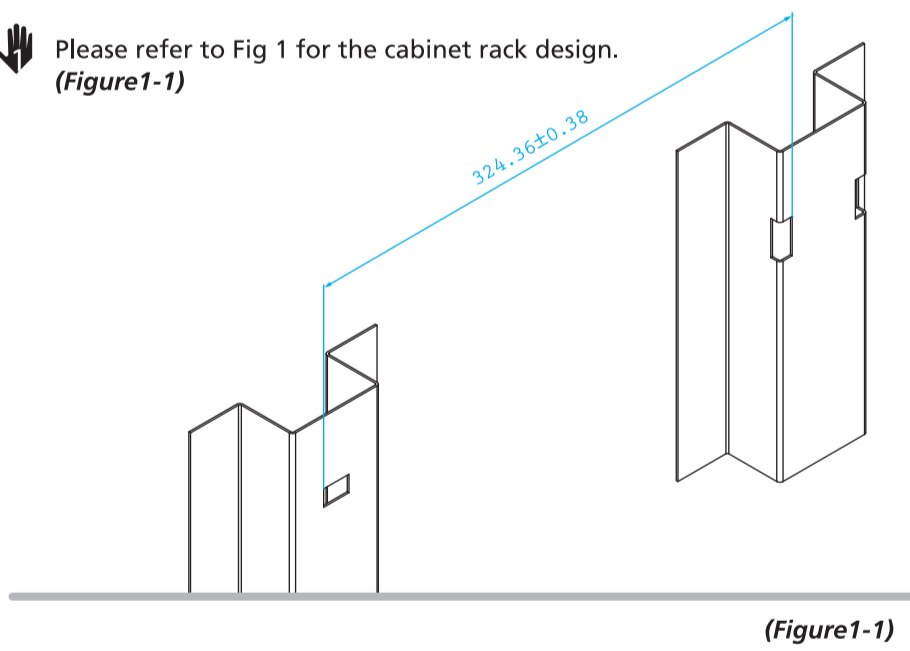
Loading, Full Extension Slides, 180 pound (80 kgs) loading

READ THE QUICK INSTALLATION GUIDE FIRST BEFORE INSTALLATION

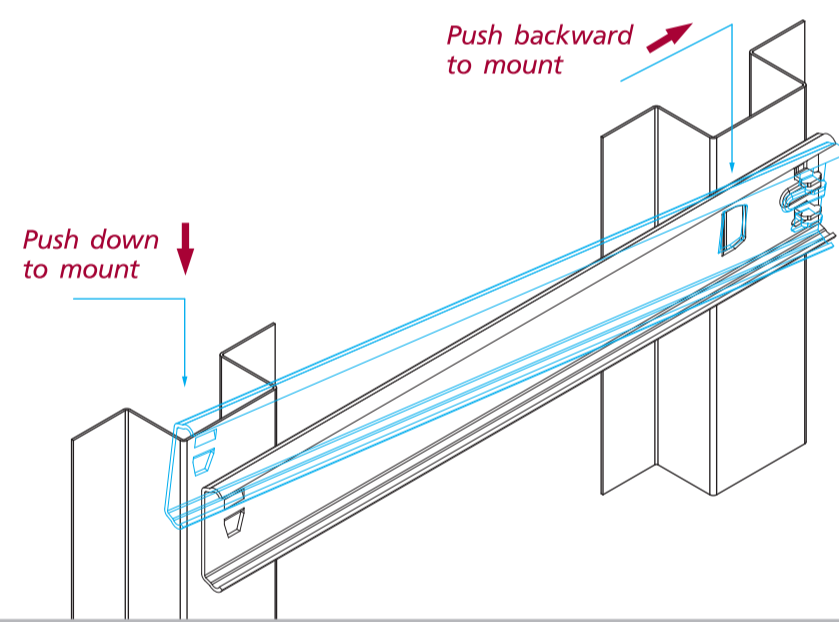
A. The installation guide provides you the information related to drawer slide mounting as reference. You may modify the suggested mounting method or create your own.

Step 1 > Technical Specifications for cabinet rack design

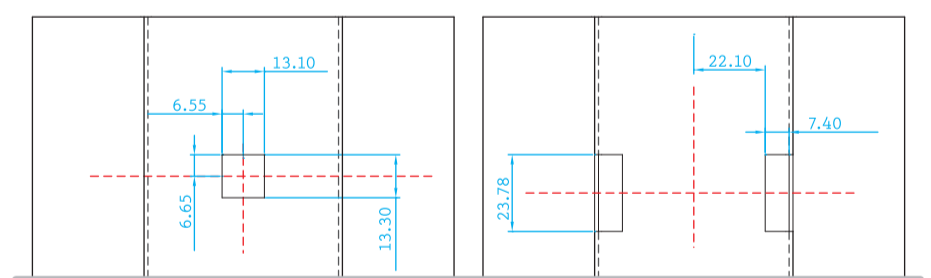
Please refer to Fig 1 for the cabinet rack design. (Figure1-1)



(Figure1-1)



For the ease of installation, suggest mounting the slides from the bottom to the top.

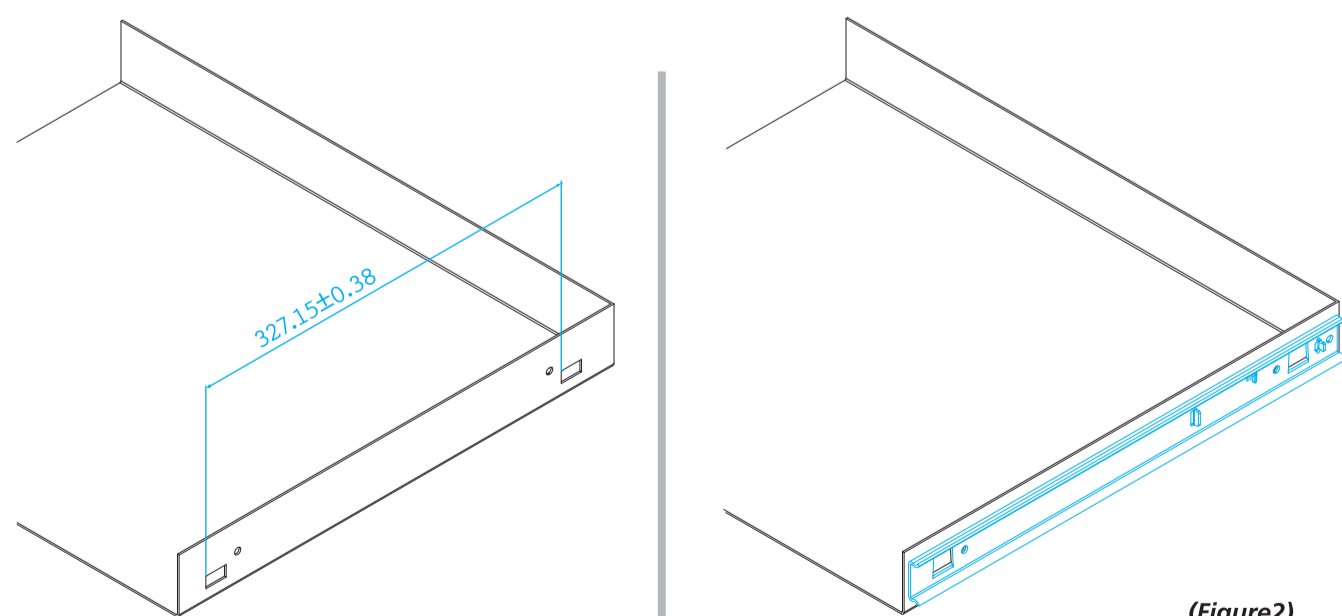


Step 2 > Technical Specification for drawer cut-out

Please refer to Fig 2 for drawer cut-out. (Figure2)

Highly recommend to secure the drawer with rivet to keep it from dislodging. (* the correspondent hole on the drawer side panel must be threaded.)

No need to remove the slide drawer member when install the drawer.



(Figure2)

