



NJ-76A04

Full Extension Slides
180 pound class (80 kgs)



LB Loading

» Features » Drawing » Specification Table » Installation Instructions

Product Photo

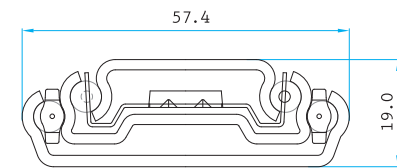


Features



Mounting | Side mount.
Side Clearance | 3/4" (19.0 mm) plus 0.76 mm minus 0 each side.
Height | 2.26" (57.4 mm)
Loading | 180 pound (80 kgs) class.
Size | 15.75" (400 mm)
Feature | Bayonet mounting, detent close bumper.
Option | Interlock.

Profile



Surface Treatment

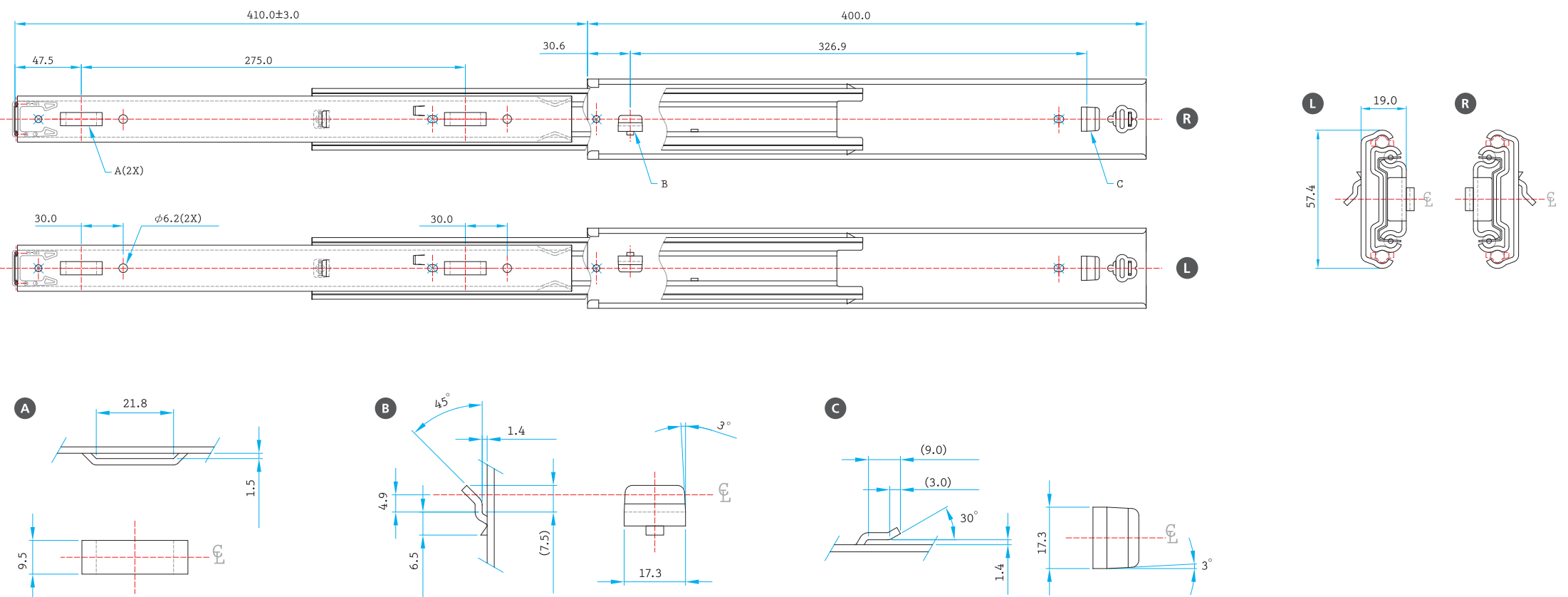
- Clear Zinc
- Black Zinc
- Black E. Coating
- White E Coating
- Stainless Steel
- Galvanized Steel

Packaging

- Distribution / 7 pairs per box
- Bulk

*Box QTY might vary with different length, the info provided here is based on 18" (450 mm)

Drawing



Specification Table

Installation Instructions

QUICK INSTALLATION GUIDE OF NJ-76A04

Loading, Full Extension Slides, 180 pound (80 kgs) loading



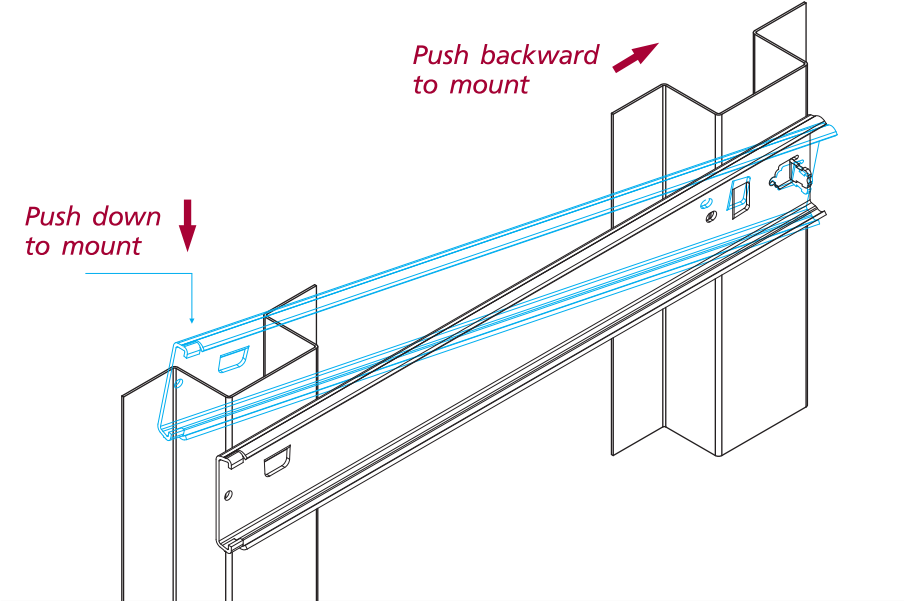
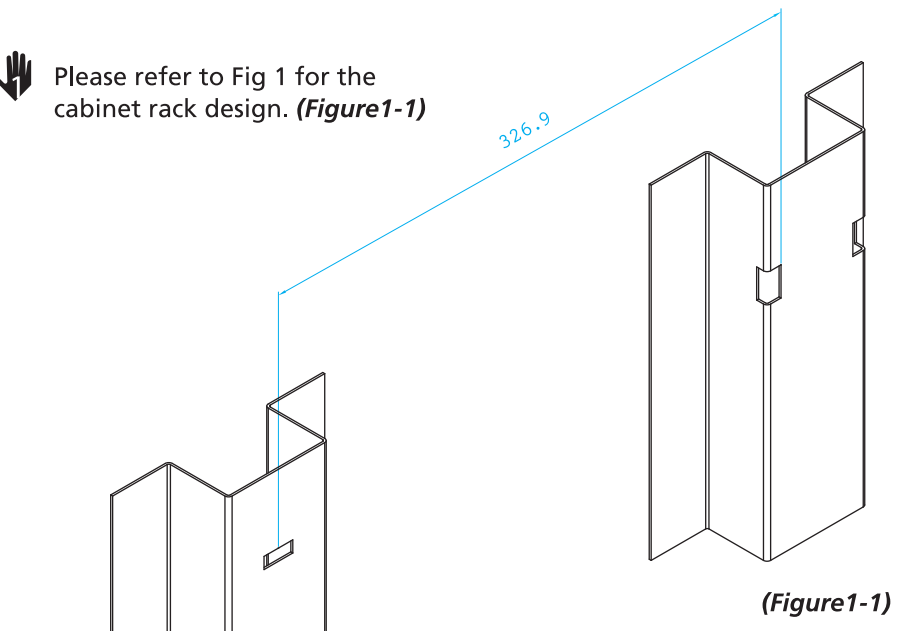
READ THE QUICK INSTALLATION GUIDE FIRST BEFORE INSTALLATION

A. The installation guide provides you the information related to drawer slide mounting as reference. You may modify the suggested mounting method or create your own.

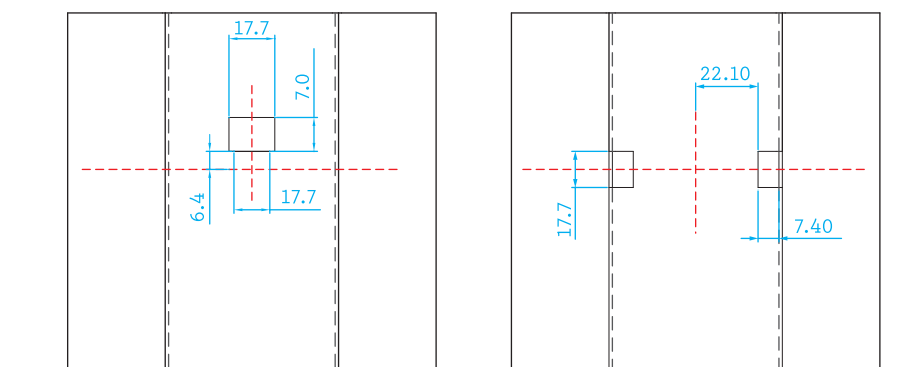
Step 1 > Technical Specifications for cabinet rack design



Please refer to Fig 1 for the cabinet rack design. (Figure1-1)



For the ease of installation, suggest mounting the slides from the bottom to the top.



Step 2 > Technical Specification for drawer cut-out



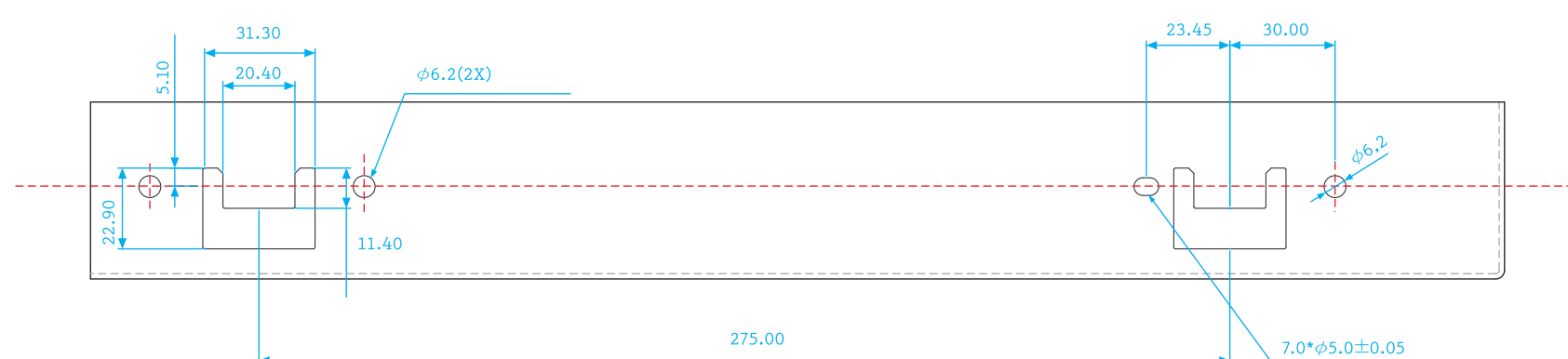
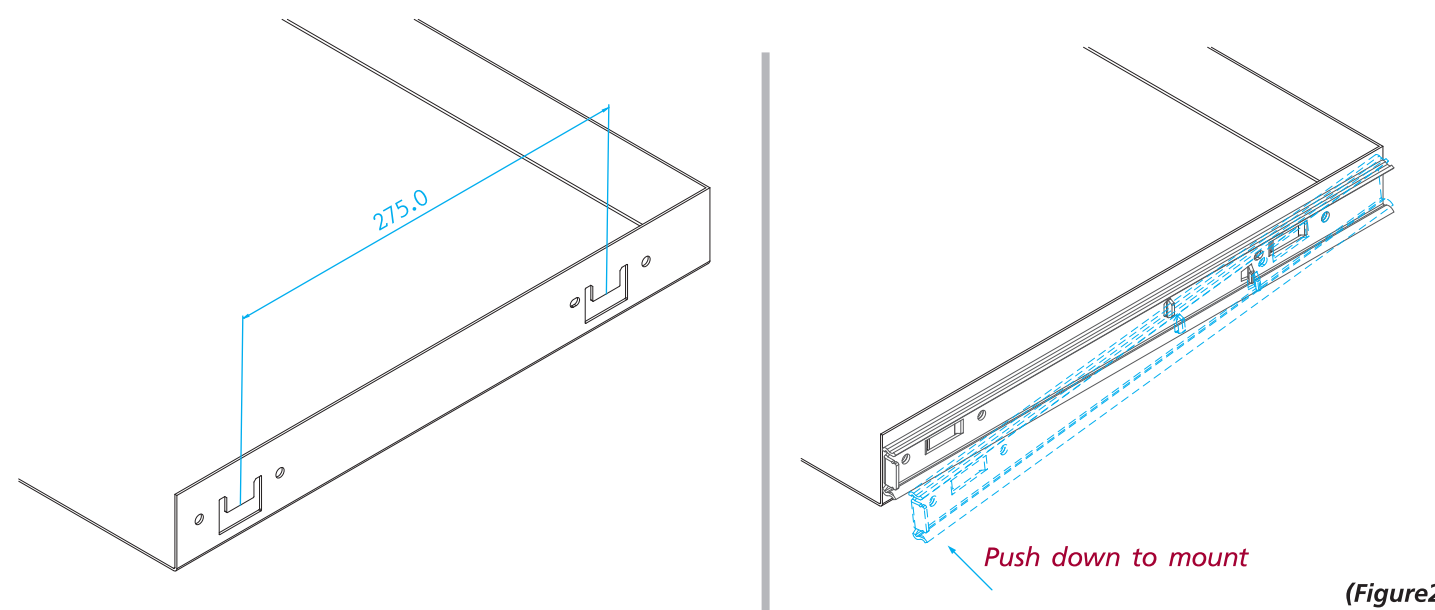
Please refer to Fig 2 for drawer cut-out. (Figure2)



Highly recommend to secure the drawer with M5 machine screw * or rivet drawer to keep it from dislodging. (* the correspondent hole on the drawer side panel must be threaded.)



No need to remove the slide drawer member when install the drawer.



NAN JUEN INTERNATIONAL CO., LTD.
No.2, Dazhi Rd., Taoyuan Dist., Taoyuan City 330, Taiwan (R.O.C.)
T + 886 - 3 - 3642777(Rep.) F + 886 - 3 - 3762777
www.repongroupp.com

