



NJ-71020

Full Extension Slides
200 pound class (90 kgs)



Loading

» Features » Drawing » Specification Table » Installation Instructions

Product Photo

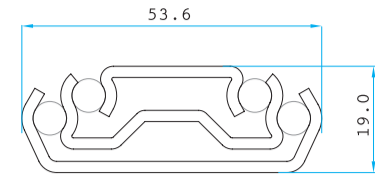


Features



Mounting | Side mount.
Side Clearance | 3/4" (19.0 mm) plus 1/64", minus 0 each side.
Height | 2-7/64" (53.6 mm)
Loading | 200 pound (90 kgs) class.
Size | 10" (250 mm) through 28" (700 mm) at 2" (50 mm) increment.
Feature | 32 mm hole pattern, simple access mounting on drawer and cabinet members, disconnect lever for quick drawer removal, detent-in, over-travel.
Option | None.

Profile



Surface Treatment

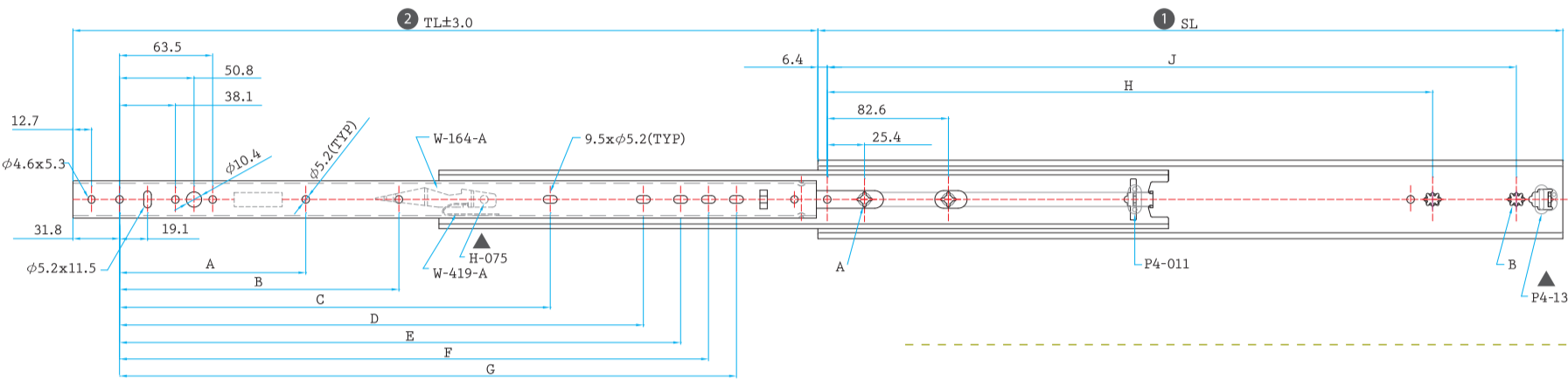
- Clear Zinc
- Black Zinc
- Black E. Coating
- White E Coating
- Stainless Steel
- Galvanized Steel

Packaging

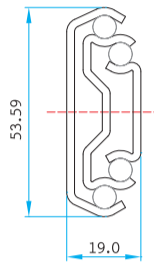
- Distribution / 10 pairs per box
- Production

*Box QTY might vary with different length, the info provided here is based on 18" (450 mm)

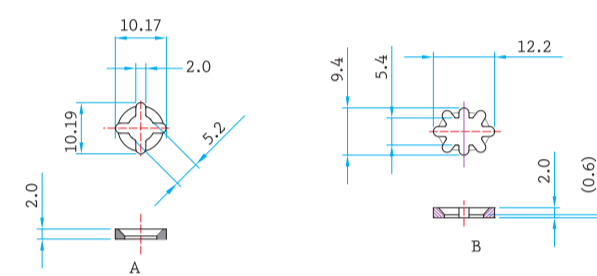
Drawing



Profile



Component Parts



Specification Table

SIZE	SL	TL	A	B	C	D	E	F	G	H	I
10" (250mm)	254.0	254.0			166.7					158.8	215.9
12" (300mm)	304.8	330.2						198.4	217.5	209.6	266.7
14" (350mm)	355.6	381.0					230.2	249.2	268.3	260.4	317.5
16" (400mm)	406.4	431.8	127.0			255.6	281.0	300.0	319.1	311.2	368.3
18" (450mm)	457.2	482.6	127.0			306.4	331.8	350.8	369.9	362.0	419.1
20" (500mm)	508.0	533.4	127.0	190.5	293.7	357.2	382.6	401.6	420.7	412.8	469.9
22" (550mm)	558.8	584.2	127.0	190.5	344.5	408.0	433.4	452.4	471.5	463.6	520.7
24" (600mm)	609.6	635.0	127.0	190.5	395.3	458.8	484.2	503.2	522.3	514.4	571.5
26" (650mm)	660.4	685.8	127.0	190.5	446.1	509.6	535.0	554.0	573.1	565.2	622.3
28" (700mm)	711.2	736.6	127.0	190.5	496.9	560.4	585.8	604.8	623.9	616.0	673.1

Installation Instructions

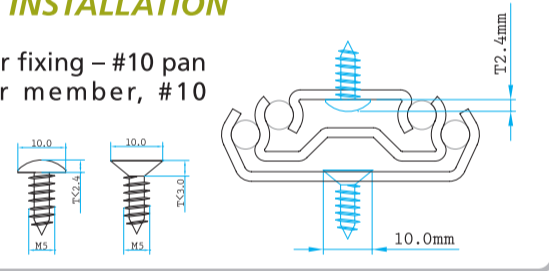
QUICK INSTALLATION GUIDE OF NJ-71020

Loading, Full Extension Slide, 200 pound (90 kgs) loading



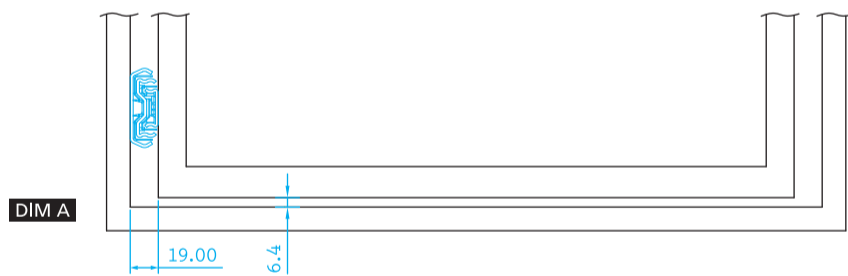
READ THE QUICK INSTALLATION GUIDE FIRST BEFORE INSTALLATION

A. Recommended screws for fixing – #10 pan head screw for inner member, #10 countersunk for outer member. Each side of slide requires at least 6 screws.



Technical Specifications for drawer or pull-out shelf

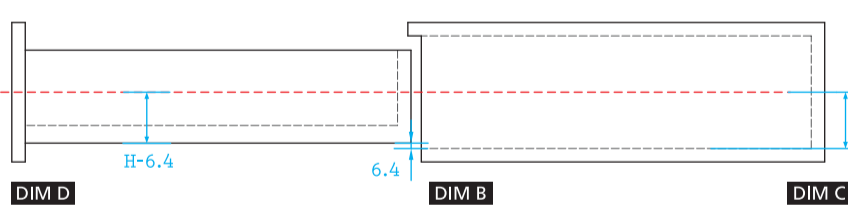
① Drawer or pulling-out shelf side clearance must be at least 19.00 mm (DIM A)



② Bottom of drawer or pulling-out shelf bottom shall have 6.4 mm or 1/4" minimum clearance from the bottom of Cabinet (DIM B)

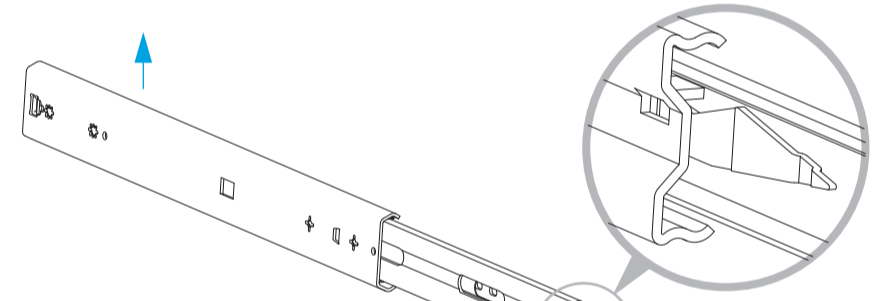
③ Mark a center line with proper height (H) from the bottom of cabinet (DIM C)

④ Mark a center line with proper height (H-6.4 mm) from the bottom of drawer (DIM D)



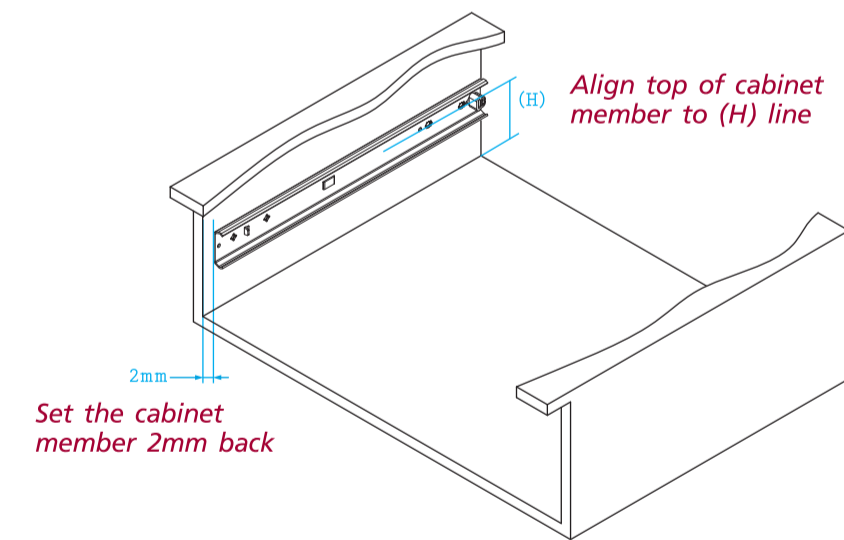
Step 1 > Install Cabinet Member to Cabinet

↓ Push down or lift up release trigger on the right or left to disconnect the drawer member.



↓ Align center line of cabinet member to pre-determined center line (H), and place slide 2 mm backward from cabinet opening.

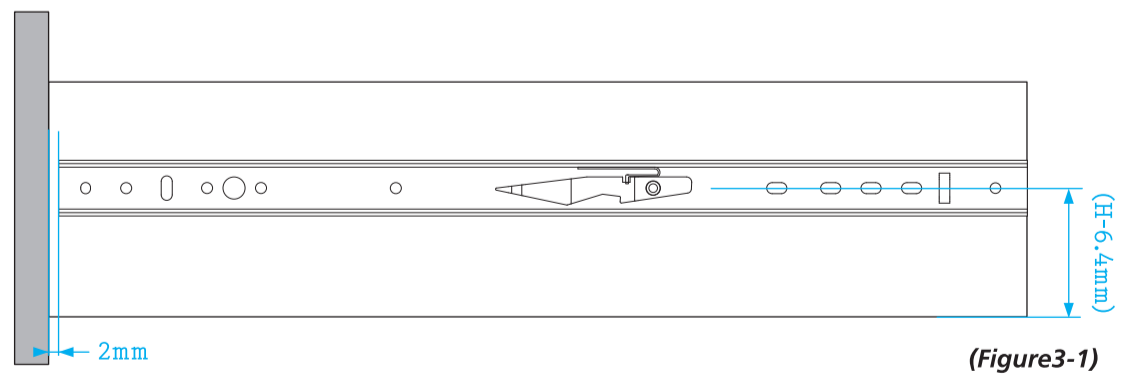
↓ Fix the slides through the most flexible holes on breather tab for best slide performance. Leave the screw loose for final adjustment. Move the slides back and forth, and make sure no screw is bound.



Step 2 > Install drawer member to drawer

↓ Align center line of drawer member to the pre determined line (H-6.4 mm), and place drawer member 2 mm backward from the drawer front or the pulling-out shelf edge. Shall the silencing cushion is used, place drawer member 5.2 mm backward. (Figure2-1)

↓ Fix the drawer member through vertical slots for vertical adjustment. Leave the screw loose for final adjustment.



Step 3 > Insert drawer into cabinet

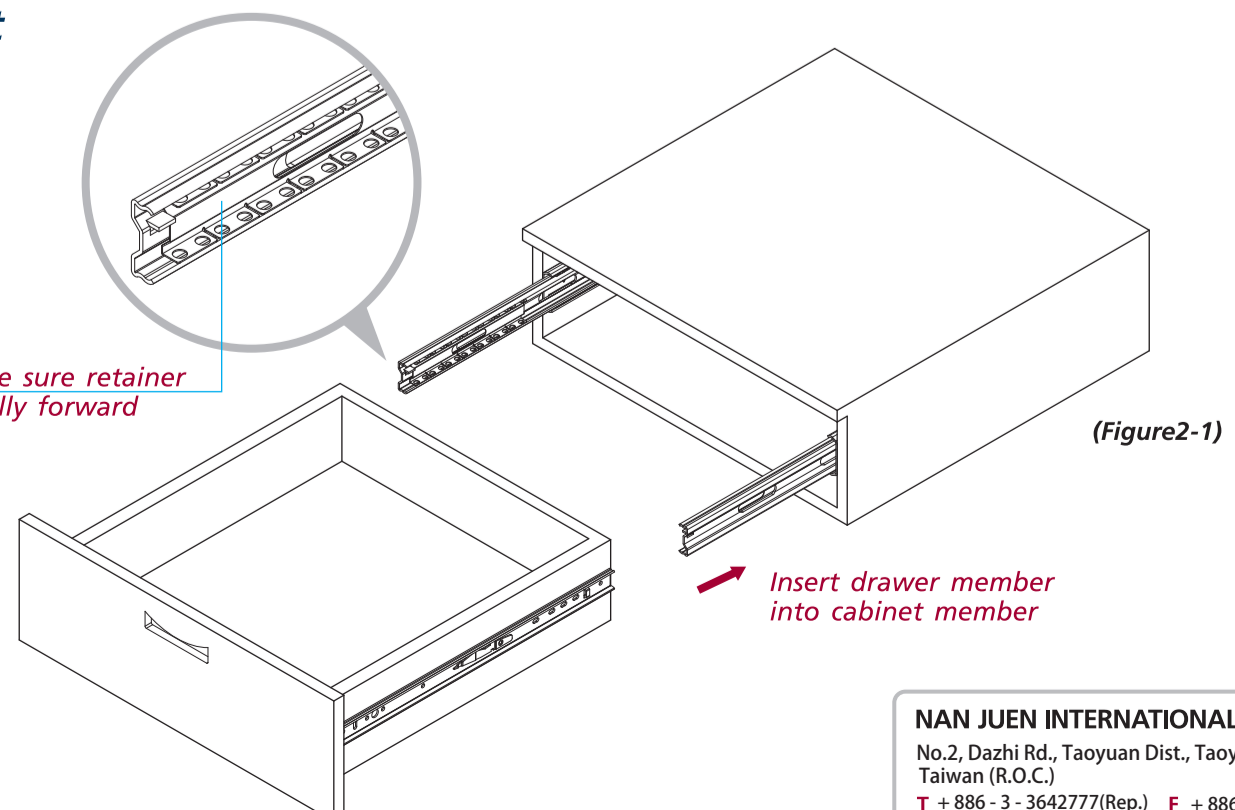
↓ Make sure the bearing retainers are fully forward. Insert drawer member into the cabinet member, and then close the drawer completely. (Figure3-1)

Final Adjustment.....

Try to open and close the drawer to see if slides function correctly. If so, secure the screws and install additional screws as necessary. If not, please make adjustment till slides function correctly.

※ This instruction is for reference only. It may vary due to different applications.

Make sure retainer is fully forward



NAN JUEN INTERNATIONAL CO., LTD.
 No.2, Dazhi Rd., Taoyuan Dist., Taoyuan City 330, Taiwan (R.O.C.)
 T + 886 - 3 - 3642777(Rep.) F + 886 - 3 - 3762777
www.repongroupp.com

