



# NJ-41K07

Single Extension Slides  
75 pound class (35 kgs)



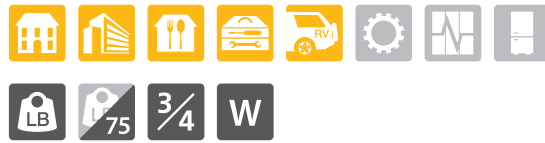
Loading

» Features » Drawing » Specification Table » Installation Instructions

## Product Photo

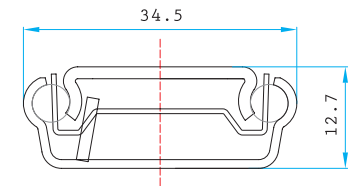


## Features



**Mounting** | Side mount.  
**Side Clearance** | 0.5" (12.70 mm) + 1/32" minus 0 each side.  
**Height** | 1.36" (34.5 mm)  
**Loading** | 75 pound (35 kgs) class.  
**Size** | 250 mm through 700 mm at 50 mm increment.  
**Feature** | 32 mm hole pattern, quick release trigger for drawer removal, anti-rebound bumper, and breathing tab for self-adjustment.  
**Option** | None.

## Profile



## Surface Treatment

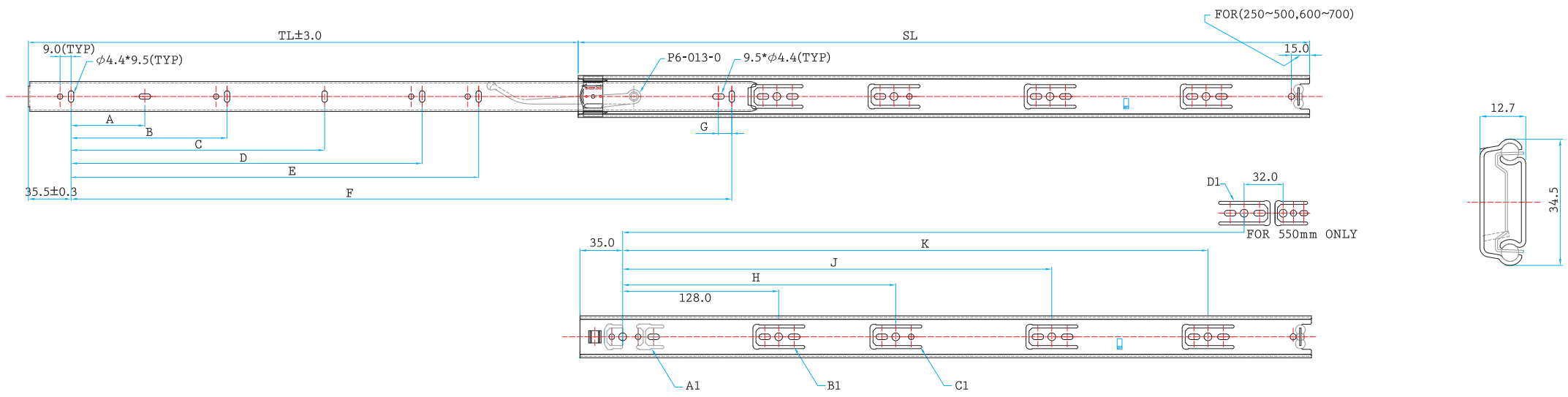
- Clear Zinc
- Black E. Coating
- Stainless Steel
- Black Zinc
- White E Coating
- Galvanized Steel

## Packaging

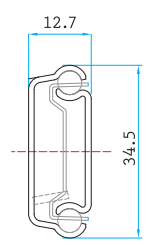
- Distribution / 30 pairs per box
- Production

\*Box QTY might vary with different length, the info provided here is based on 18" (450 mm)

## Drawing



## Profile



## Specification Table

SIZE	SL	TL	A	B	C	D	E	F	G	H	J	K
10" (250mm)	250.0	163.0						192.0				
12" (300mm)	300.0	205.0	60.5					242.0	11.0	224.0		
14" (350mm)	350.0	260.0	60.5	128.0				292.0	11.0	224.0		
16" (400mm)	400.0	281.0	60.5	128.0				342.0	11.0	224.0	320.0	
18" (450mm)	450.0	331.0	60.5	128.0	192.0			392.0	11.0	224.0	352.0	
20" (500mm)	500.0	376.0	60.5	128.0	224.0			442.0	11.0	224.0	416.0	
22" (550mm)	550.0	415.0	60.5	128.0	224.0	288.0		492.0	11.0	224.0	352.0	
24" (600mm)	600.0	451.0	60.5	128.0	224.0	320.0		542.0	11.0	224.0	352.0	480.0
26" (650mm)	650.0	488.0	60.5	128.0	224.0	320.0	544.0	592.0	11.0	224.0	352.0	544.0
28" (700mm)	700.0	526.0	60.5	128.0	224.0	288.0	384.0	642.0	11.0	224.0	352.0	544.0

## Installation Instructions

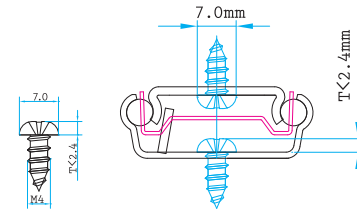
### QUICK INSTALLATION GUIDE OF NJ-41K07

Loading, Single Extension Slides, 75 pound (35 kgs) loading



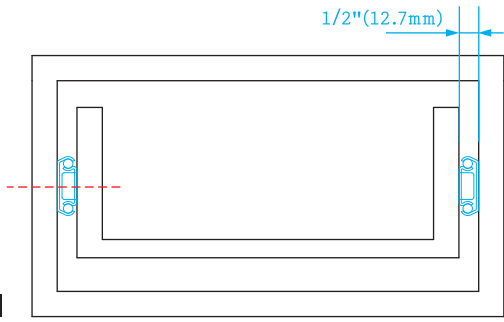
**READ THE QUICK INSTALLATION GUIDE FIRST BEFORE INSTALLATION**

A. Recommended screws for fixing - or #8 pan head screws. Each side of slide requires at least 6 screws.

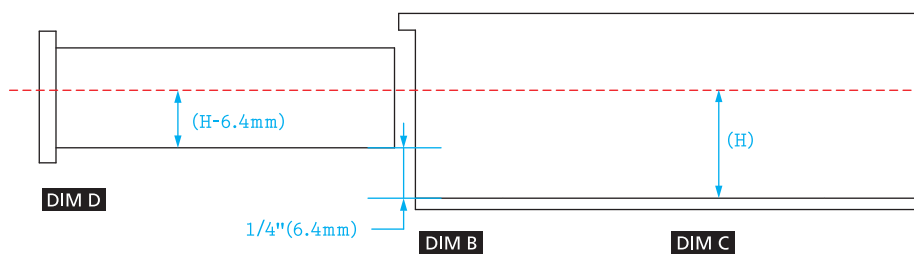


### Technical Specifications for drawer or pull-out shelf

① Drawer or pulling-out shelf must be at least 12.7 mm or 1/2" narrower than cabinet opening on each side. (DIM A)

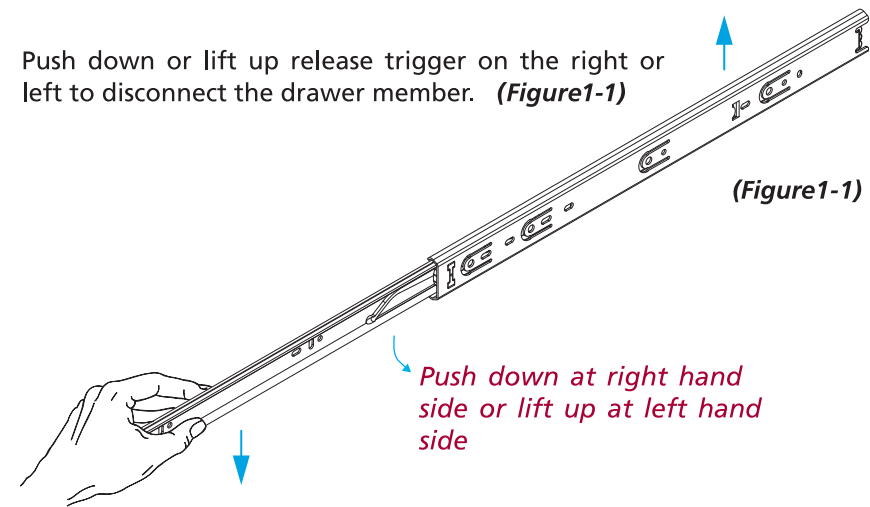


- ② Bottom of drawer or pulling-out shelf bottom shall have 6.4 mm or 1/4" minimum clearance from the bottom of cabinet. ( DIM B )
- ③ Mark a center line from the bottom of cabinet with the proper height (H). ( DIM C )
- ④ Mark a center line from the bottom of drawer with the proper height ( H-6.4 mm ). ( DIM D )



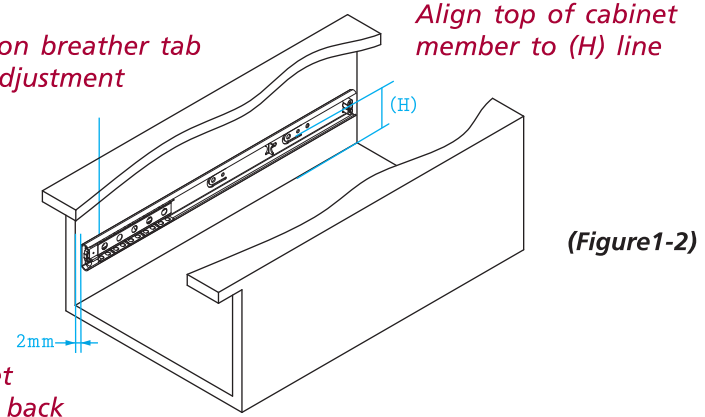
### Step 1 > Install cabinet member to cabinet

↓ Push down or lift up release trigger on the right or left to disconnect the drawer member. (Figure1-1)



↓ Align the center line of cabinet member to the determined line (H), and place slide 2 mm backward from cabinet opening. (Figure1-2)

Use hole on breather tab for side adjustment  
Align top of cabinet member to (H) line



Set the cabinet member 2mm back

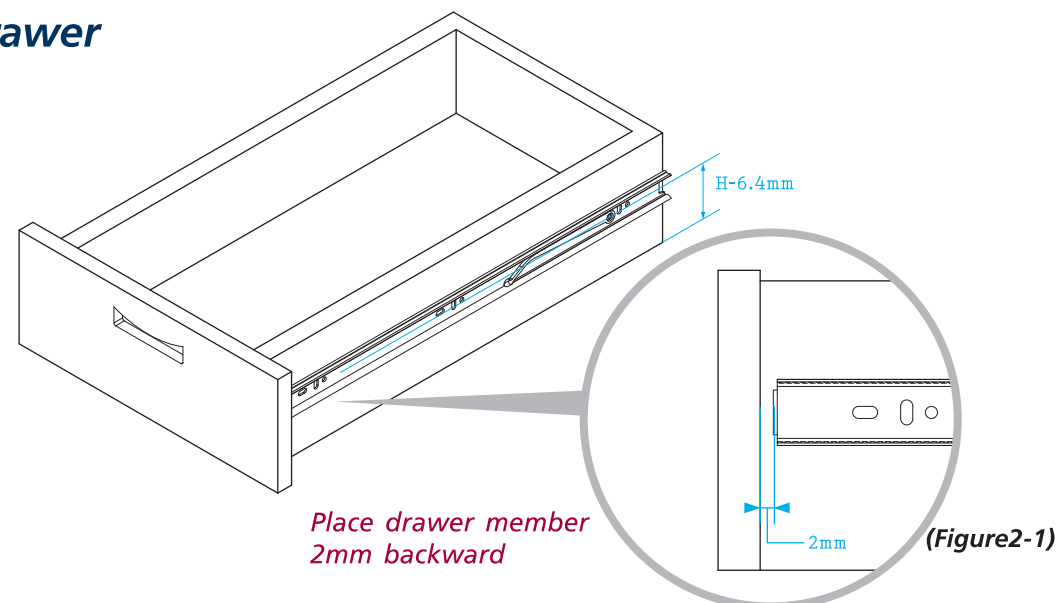
↓ Fix the slides through the most flexible holes on breather tab for best slide performance. Leave the screw loose for final adjustment. Move the slides back and forth, and make sure no screw is bound.

### Step 2 > Install drawer member to drawer

↓ Align the center line of drawer member to the determined line (H-6.4 mm), and place drawer member 2 mm backward from the drawer front or the pulling-out shelf edge. (Figure2-1)

Shall the silencing cushion is used, place drawer member 5.2 mm backward.

↓ Fix the drawer member through vertical slots for vertical adjustment. Leave the screw loose for final adjustment.



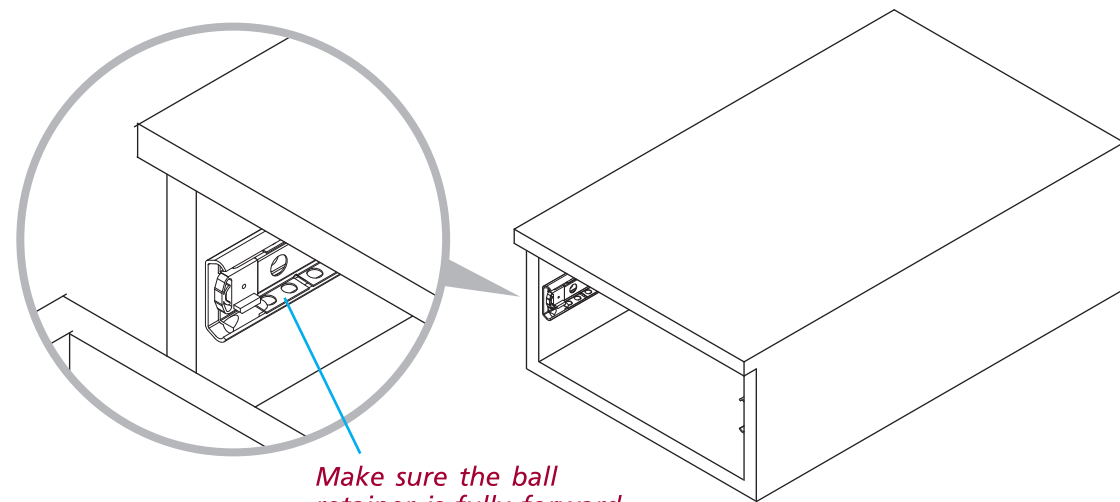
### Step 3 > Insert drawer into cabinet

↓ Make sure the bearing retainers are fully forward. Insert drawer member into the cabinet member, and then close the drawer completely.

### Final Adjustment.....

Try to open and close the drawer to see if slides function correctly. If so, secure the screws and install additional screws as necessary. If not, please make adjustment till slides function correctly.

\*This instruction is for reference only. It may vary due to different applications.



NAN JUEN INTERNATIONAL CO., LTD.  
 No.2, Dazhi Rd., Taoyuan Dist., Taoyuan City 330, Taiwan (R.O.C.)  
 T + 886 - 3 - 3642777 (Rep.) F + 886 - 3 - 3762777  
 www.repongroupp.com