



NJ-41112

Single Extension Slides
75 pound class (35 kgs)

Product Photo

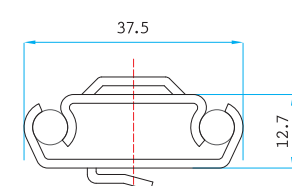


Features



Mounting | Side mount.
Side Clearance | 1/2" (12.7 mm) plus 1/32", minus 0 each side.
Height | 1-15/32" (37.5 mm)
Loading | 75 pound (35 kgs) class.
Size | 12" (300 mm) through 28" (700 mm) at 2" (50 mm) increment.
Feature | Built-in mounting tabs for quick installation. Hold/close function. Lever disconnect for drawer removal.
Option | None.

Profile



Surface Treatment

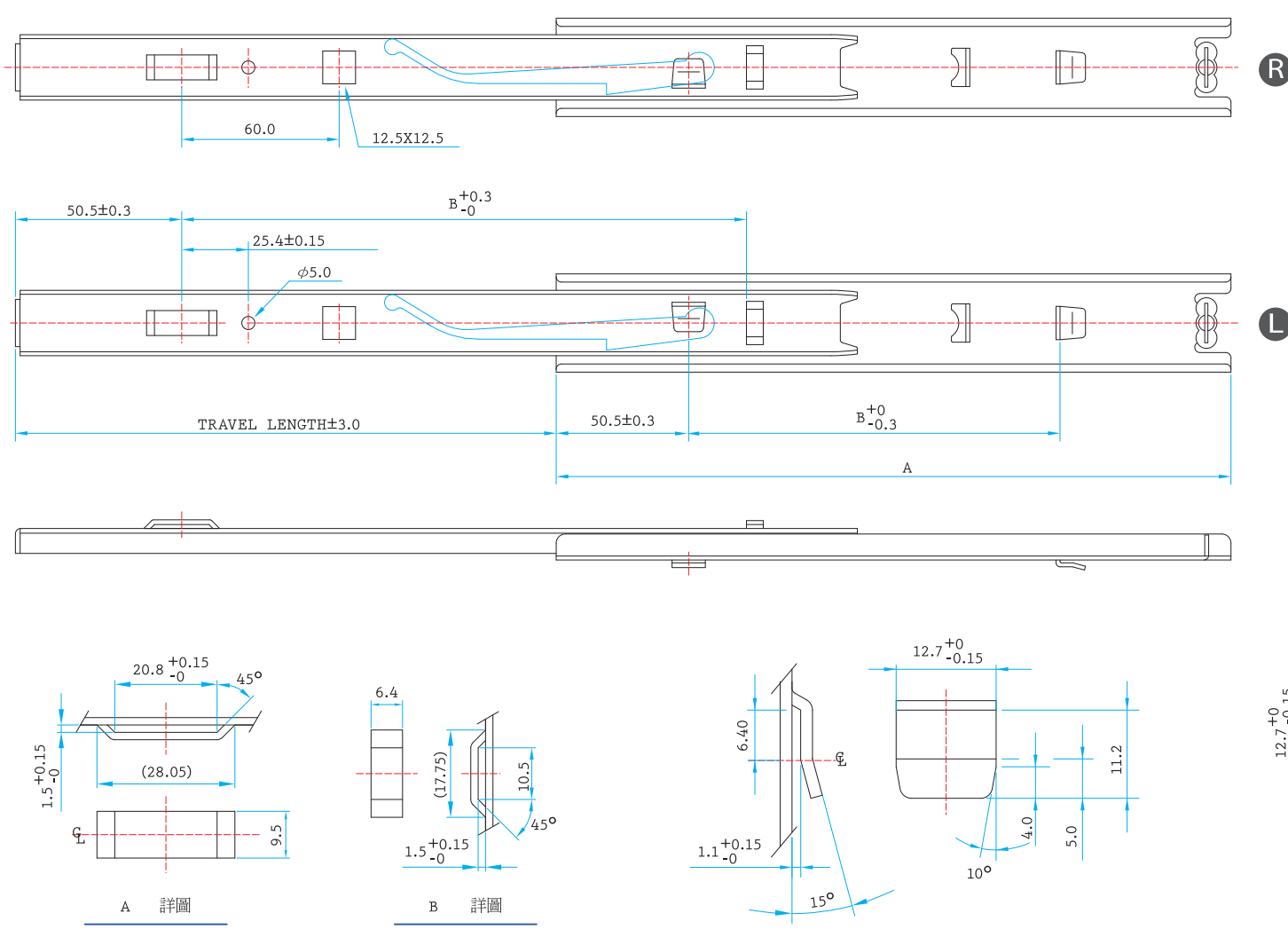
- Clear Zinc
- Black Zinc
- Black E. Coating
- White E Coating
- Stainless Steel
- Galvanized Steel

Packaging

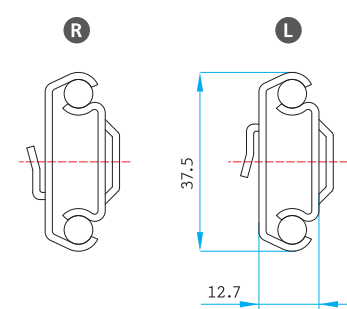
- Distribution / 30 pairs per box
- Production / 30 pls per box
PH and LH packed separately

*Box QTY might vary with different length, the info provided here is based on 18" (450 mm)

Drawing



Profile



Specification Table

SIZE	TL	A	B
12" (300mm)	221.5	305.05	203.2
14" (350mm)	240.5	355.85	254.0
16" (400mm)	291.5	406.65	304.8
18" (450mm)	335.0	457.45	279.4
20" (500mm)	375.0	508.25	330.2
22" (550mm)	420.0	559.05	381.0
24" (600mm)	455.0	609.85	431.8
26" (650mm)	495.0	660.65	482.6
28" (700mm)	517.5	711.45	533.4

Installation Instructions

QUICK INSTALLATION GUIDE OF NJ-41112

Loading, Single Extension Slides, 75 pound (35 kgs) loading



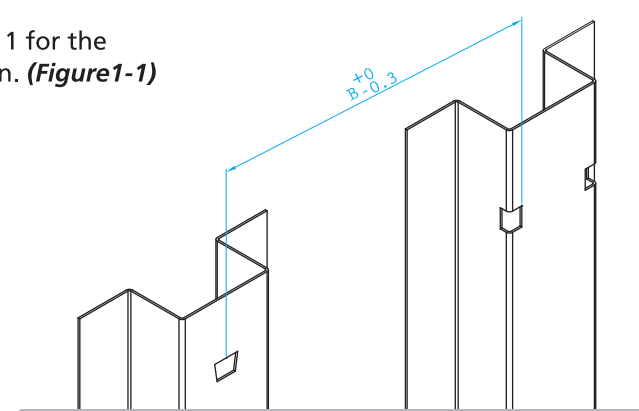
READ THE QUICK INSTALLATION GUIDE FIRST BEFORE INSTALLATION

A. The installation guide provides you the information related to drawer slide mounting as reference. You may modify the suggested mounting method or create your own.

Step 1 > Technical Specifications for cabinet rack design

Please refer to Fig 1 for the cabinet rack design. (Figure1-1)

SIZE	B
12" (300mm)	203.2
14" (350mm)	254.0
16" (400mm)	304.8
18" (450mm)	279.4
20" (500mm)	330.2
22" (550mm)	381.0
24" (600mm)	431.8
26" (650mm)	482.6
28" (700mm)	533.4



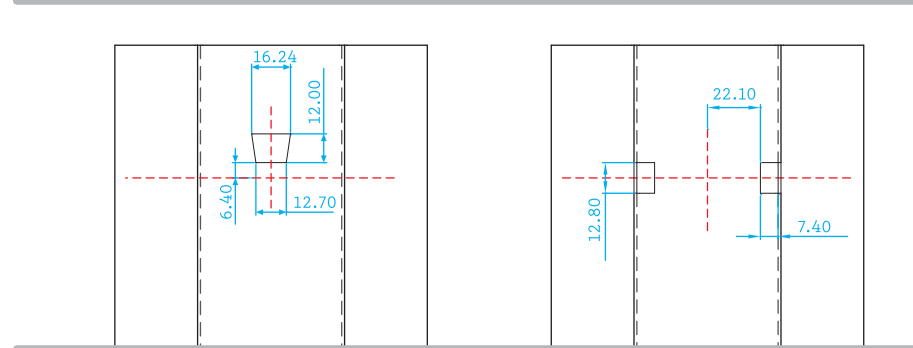
(Figure1-1)

Retention tab is highly recommended to prevent the slide from dislodging.

Push backward to mount

For the ease of installation, suggest mounting the slides from the bottom to the top.

Push down to mount

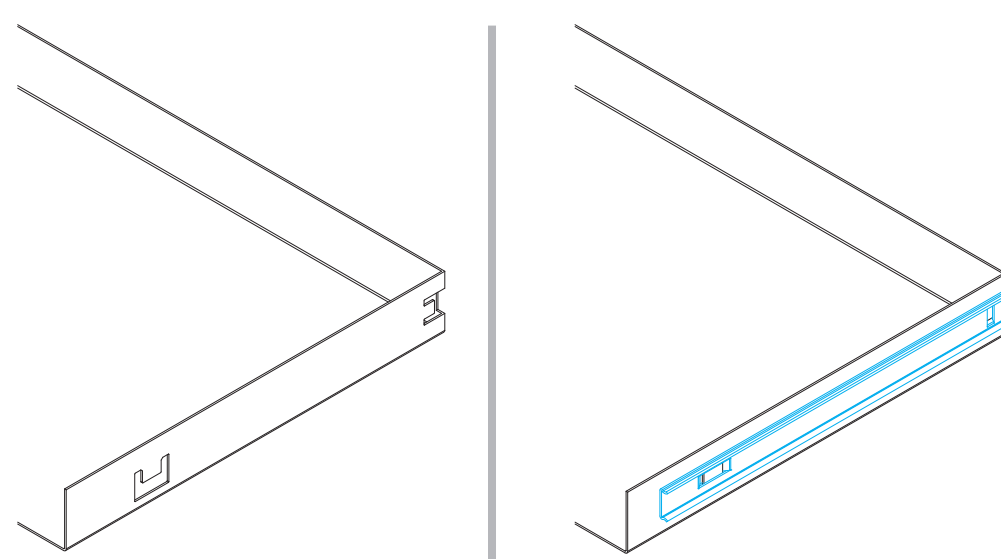


Step 2 > Technical Specification for drawer cut-out

Please refer to Fig 2 for drawer cut-out. (Figure2)

Retention tab is highly recommended to prevent the drawer from dislodging.

No need to remove the slide drawer member when install the drawer.



(Figure2)

SIZE	B
12" (300mm)	203.2
14" (350mm)	254.0
16" (400mm)	304.8
18" (450mm)	279.4
20" (500mm)	330.2
22" (550mm)	381.0
24" (600mm)	431.8
26" (650mm)	482.6
28" (700mm)	533.4

