



NJ-38D01

Soft Close

75 pound class (35 kgs)

» Features » Drawing » Specification Table » Installation Instructions

Product Photo

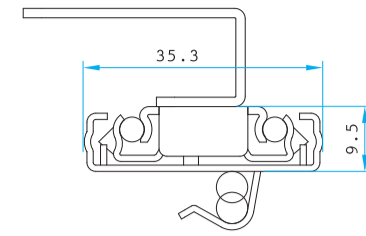


Features



Mounting | Side mount with wire basket.
Slide Clearance | 31.5 mm plus 0.76 mm minus 0 each side.
Height | 57.46 mm (including bracket)
Loading | 75 pound (35 kgs) class for 30,000 cycles.
Size | 18" (450 mm)
Feature | Brand new dampening design, drop-in lance for wire basket mounting, 50 mm self close stroke, extremely light and silent movement.
Option | None.

Profile



Surface Treatment

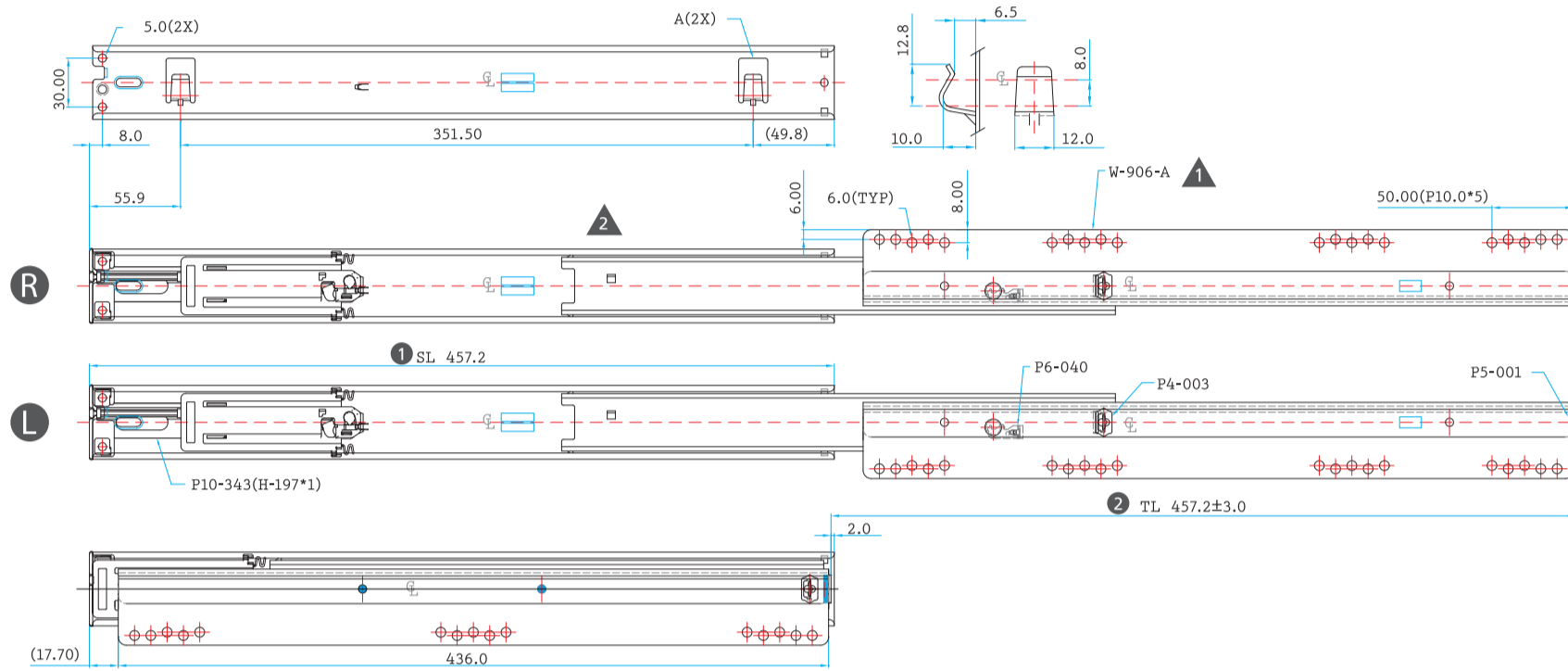
- Clear Zinc
- Black Zinc
- Black E. Coating
- White E Coating
- Stainless Steel
- Galvanized Steel

Packaging

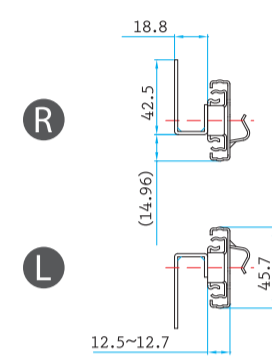
- Distribution / 12 pairs per box

*Box QTY might vary with different length, the info provided here is based on 18" (450 mm)

Drawing



Profile



Specification Table

Installation Instructions

QUICK INSTALLATION GUIDE OF NJ-38D01

Soft Close, 75 pound (35 kgs) loading

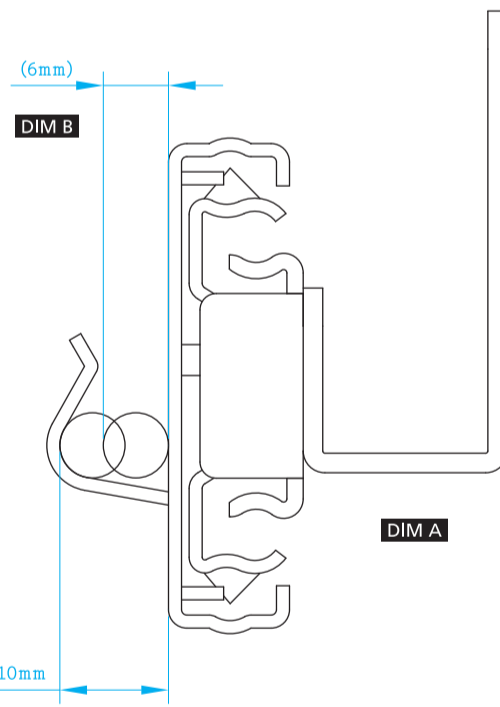


READ THROUGH QIG BEFORE INSTALLATION

- A. Recommend pan head #8 pan head or count sunk screws for mounting. Each side shall use at least 3 screws.

Technical specification for cabinet construction

- ① Cabinet inner width = wire basket width + (63 mm to 71 mm, depending on the side panel thickness.) refer to fig 1. (DIM A)
- ② Basket mounting hook can accommodate 16 mm, 18 mm or 20 mm thick panel with its 10 mm gap. Refer to fig 2. (DIM B)

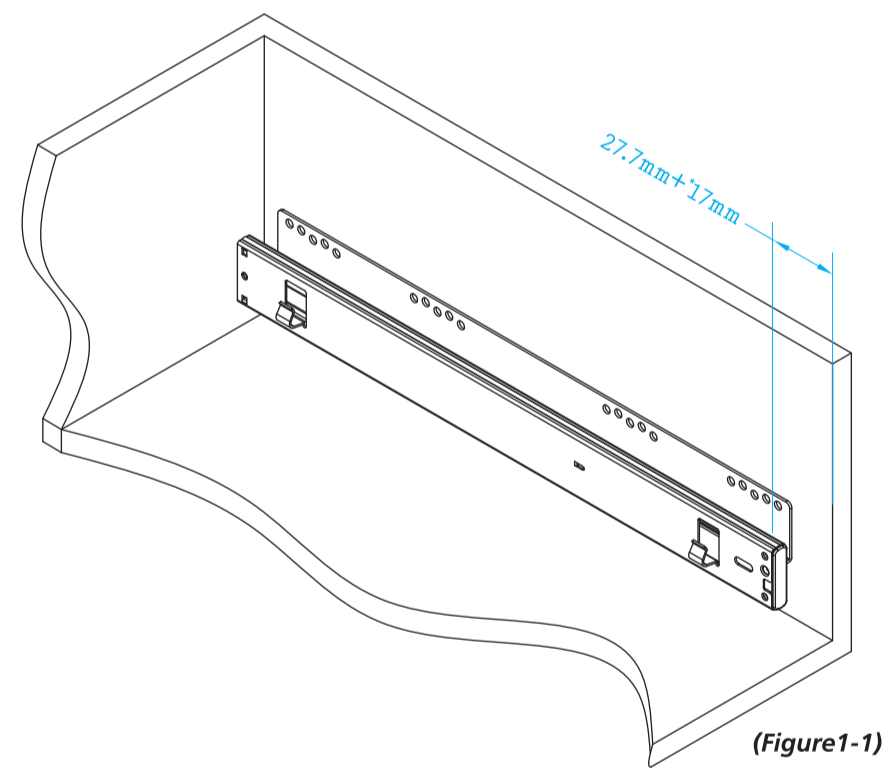


Step 1 > Slide mounting position (for overlay drawer front)



Set the slides back by 27.7 mm + *17 mm (door connector depth) from the first hole as fig 1. (Figure 1)

* Door connector depth might vary due to different brands. We highly recommend users verify the connector depth before determine the position of slides.



Step 2 > Mount the wire basket

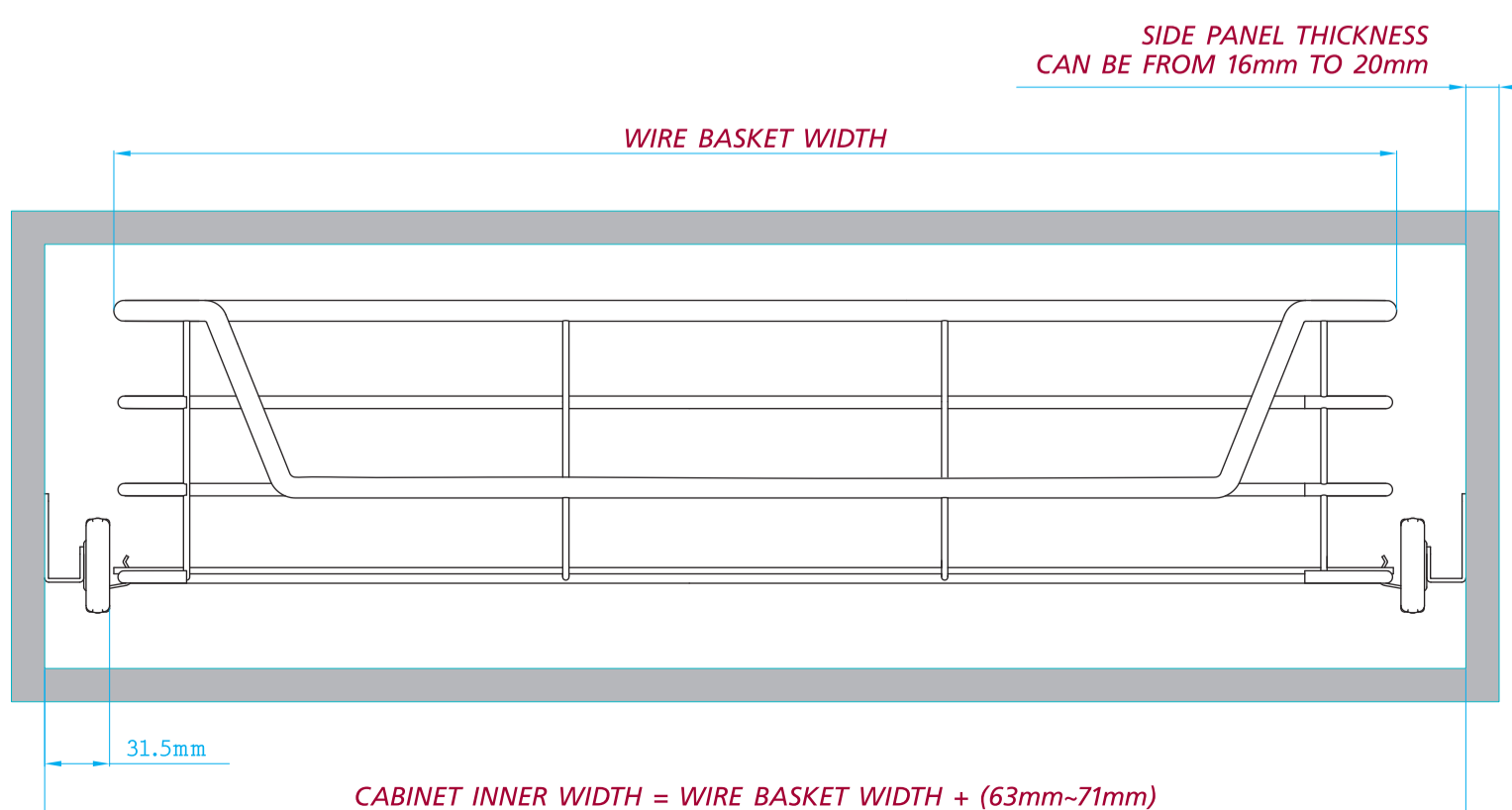


*Drop the basket on the slides. (Figure2-1)



Open and close the basket back and forth. If basket do not run smoothly, make necessary adjustment.

*The wire alignment shall follow Repon's mounting hook design. Please review the technical specification of Repon soft close wire basket slide (NJ38D01), and be sure your wire alignment match with the mount hook design.



(Figure2-1)

