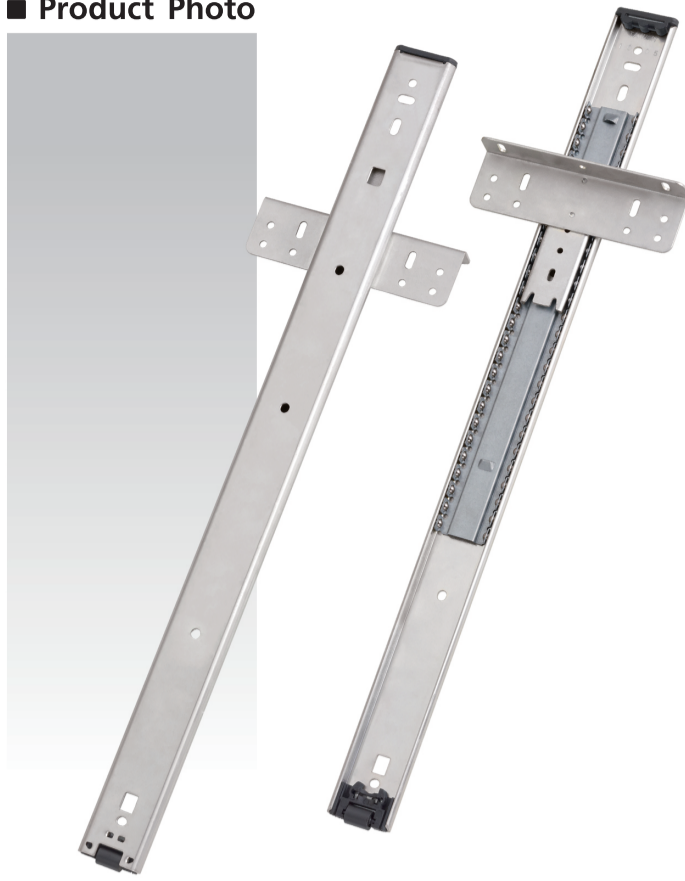


NJ-28004

Pocket Door Slides
20 pound class (9 kgs)

Product Photo



Features



Mounting | Slide is mounted to the cabinet side panel. Hinge is mounted on wooden follower strip.

Slide Clearance | Minimum 1/16" (1.5 mm) between door and cabinet.

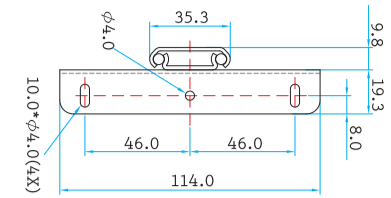
Loading | 20 pound (9 kgs) class.

Size | 12" (300 mm) through 24" (600 mm) at 2" (50 mm) increment.

Feature | Designed to use wooden follower strip, 1/2" to 5/8" thick wooden follower strip and full overlay hinge are recommended. 3rd slide is mountable to the cabinet for heavy door support. No maximum door height limitation.

Option | Guide roller and screw package. NJ-28003: w/o hold-in detent in close position.

Profile



Surface Treatment

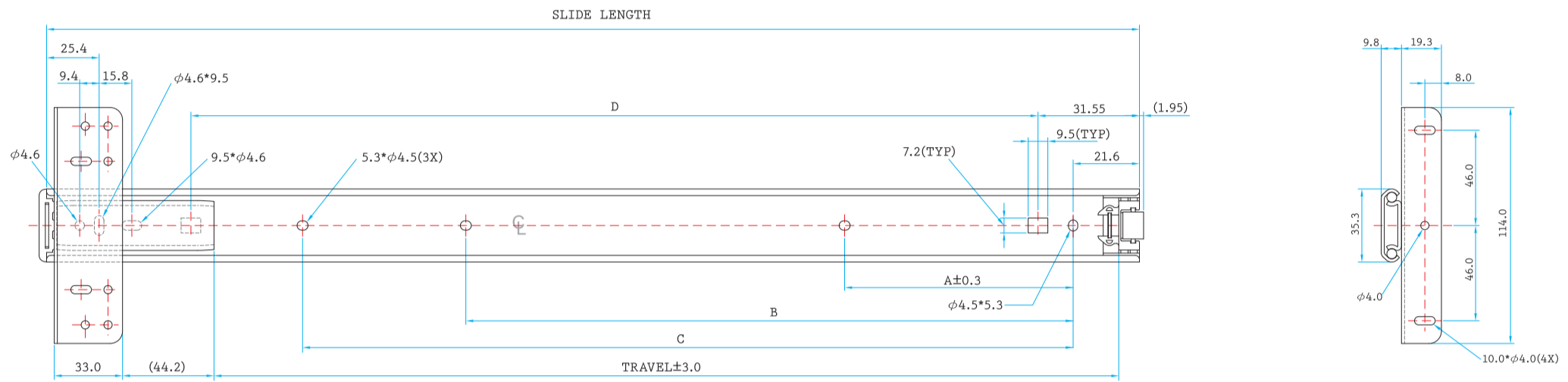
- Clear Zinc
- Black Zinc
- Black E. Coating
- White E. Coating
- Stainless Steel
- Galvanized Steel

Packaging

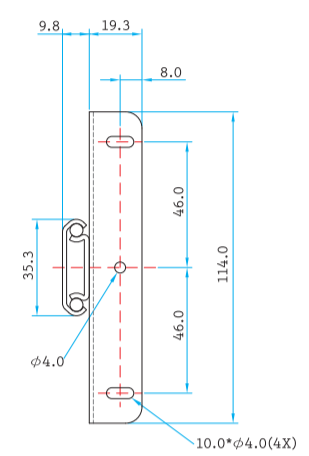
■ Distribution / 20 pairs per box

*Box QTY might vary with different length, the info provided here is based on 18" (450 mm)

Drawing



Profile



Specification Table

SIZE	SL	TL	A	B	C	D
12" (300mm)	302.05	210.9		77.6	156.5	200.5
14" (350mm)	352.85	261.7	103.4	128.4	207.3	251.3
16" (400mm)	403.65	312.5	103.4	179.2	258.1	302.1
18" (450mm)	454.45	363.3	103.4	230.0	308.9	352.9
20" (500mm)	505.25	414.1	103.4	280.8	359.7	403.7
22" (550mm)	556.05	464.9	103.4	331.6	410.5	454.5
24" (600mm)	606.85	515.7	103.4	382.4	461.3	505.3

Installation Instructions

QUICK INSTALLATION GUIDE OF NJ-28004

Pocket Door Slide, 20 pound (9 kgs) loading



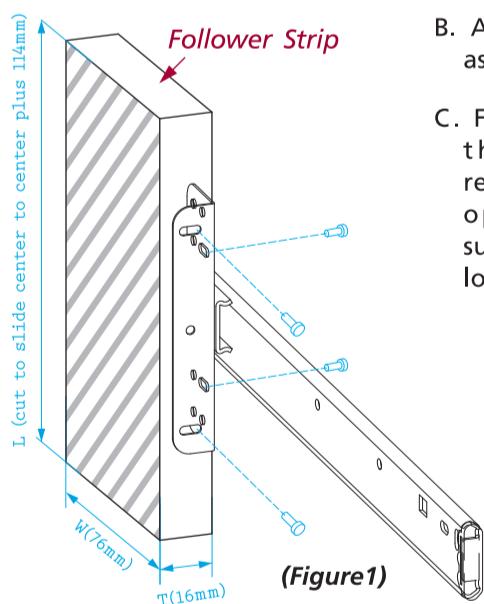
Before You Start

* The DIM. might vary due to different manufactures and hinge types

- Read the instruction thoroughly before installation
- Make sure all components are included in the package
 - 2 Pocket Door Slide * 14 5/8" Pan Head wood screws
 - 12 5/8" Flat Head wood screws 4 countersunk screws for hinge installation.
 - 2 Guide Rollers 2 23 mm wood screws
 - 2 full overlay thick door hinges (Bought Separately)

Attach wooden follower strip onto slides

A. Make the wooden follower strip to the following dimension L (cut to slide center to center plus 114 mm) x W (76 mm) x T (16 mm)



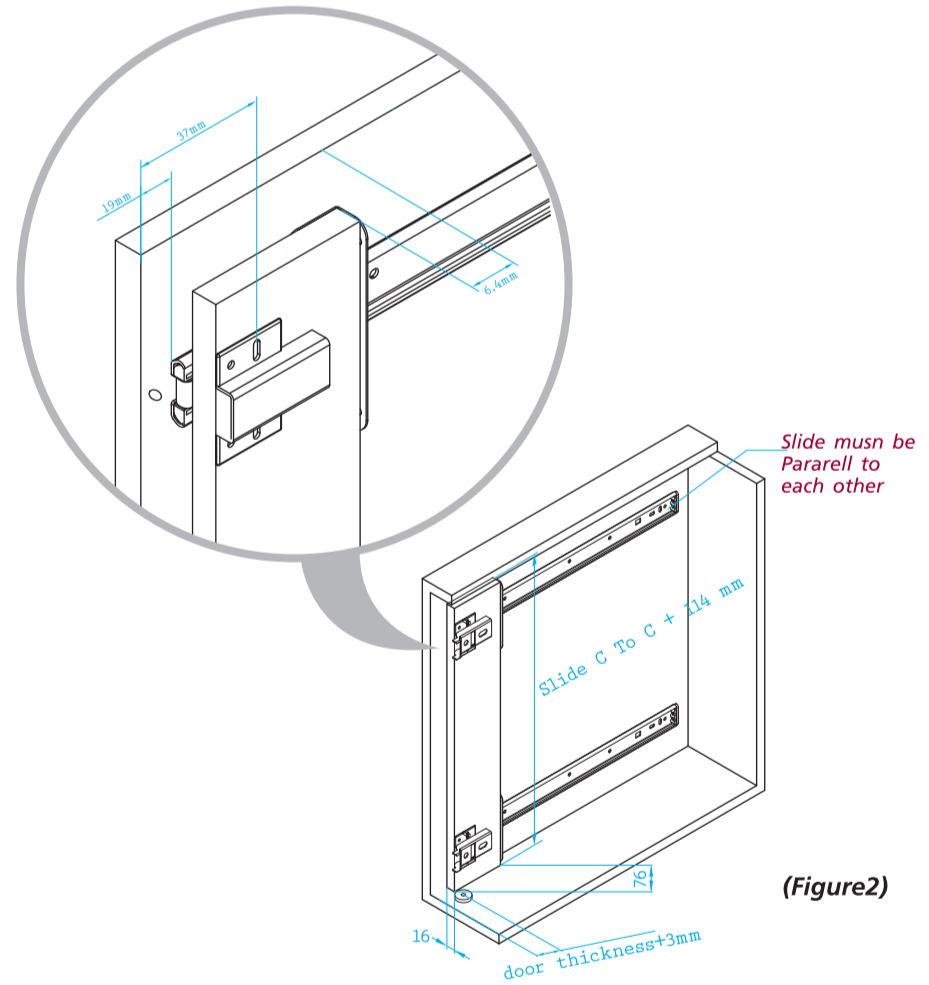
B. Attach the wooden strip to the slides as shown on fig 1.

C. For the door larger than 42", the wooden follower strip is recommended to assure the smooth operation, and the 3rd slide is suggested to be utilized for a better load capacity.

Step 1 > Mount the hinge plate onto wooden follower strip as shown on fig 2.

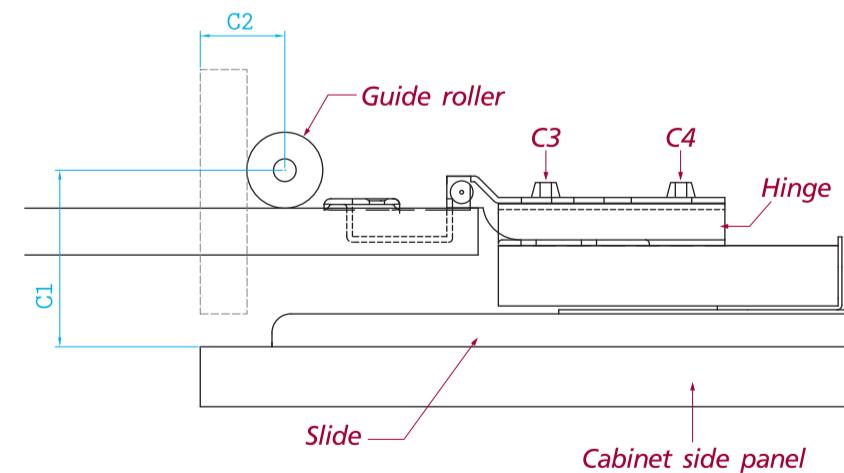
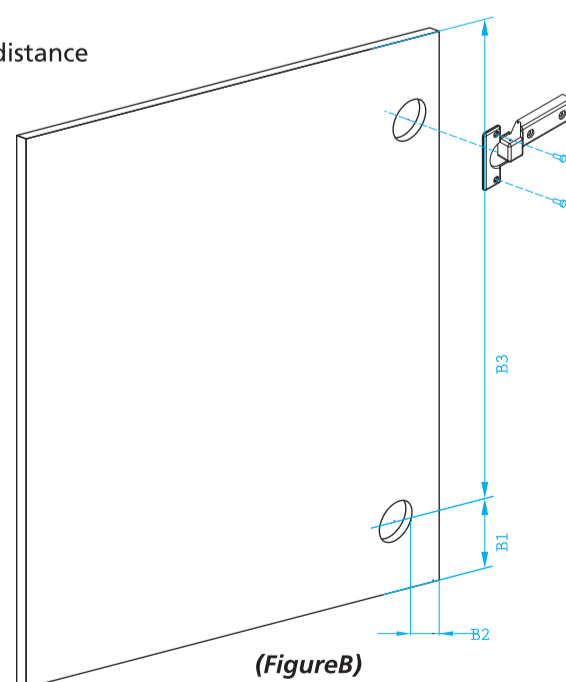
Step 2 > Place slides as fig 1&2 suggested.

(wooden strip must be mounted to slides first before mounting slides to cabinet) Install pan head screws through horizontal slot holes for adjustment first, then screw the round hole for securing purpose.



Step 3 > Drill the hinge cup holes as shown on Figure B

DIM B1: 63 mm – door gap
DIM B2: 8 mm is recommended.
DIM B3: slides center to center distance



Step 4 > Mount the hinge cup onto the door by flat head 5/8" screws.

Step 5 > Install the guide rollers on the top and bottom of cabinet as figure C.

DIM. C1: Door thickness + 9.5 mm (roller dia. / 2) + 29 mm slide thickness + 3 mm (movement clearance).

DIM. C2: Door thickness + 9.5 mm (roller dia. / 2)

Step 6 > Attach the door onto cabinet by hinges. (buy separately)

Tips on door gap adjustments. For upper and lower gaps, please adjust mounting plate vertical position.

- For door left or right side gaps, please adjust C3.
- Adjust C4 screw for door close position in-out adjustment.

