

NJ-27002

Flipper Door Slides

20 pound class (9 kgs)



Flipper Door

» Features » Drawing » Specification Table » Installation Instructions

Product Photo

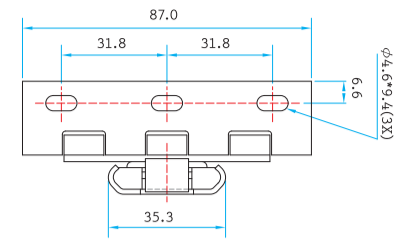


Features



- Mounting** | Hinge is mounted to the cabinet top, slide is mounted to door.
- Slide Clearance** | 3/8" (9.8 mm).
- Loading** | 20 pound (9 kgs) class.
- Size** | 12", 13", 14", 16", 18", 20", 22", 24"
- Feature** | Built-in straight hinge for 3/4" thick panels, Over the top mounting.
- Option** | Mounting screws, under the top brackets.

Profile



Surface Treatment

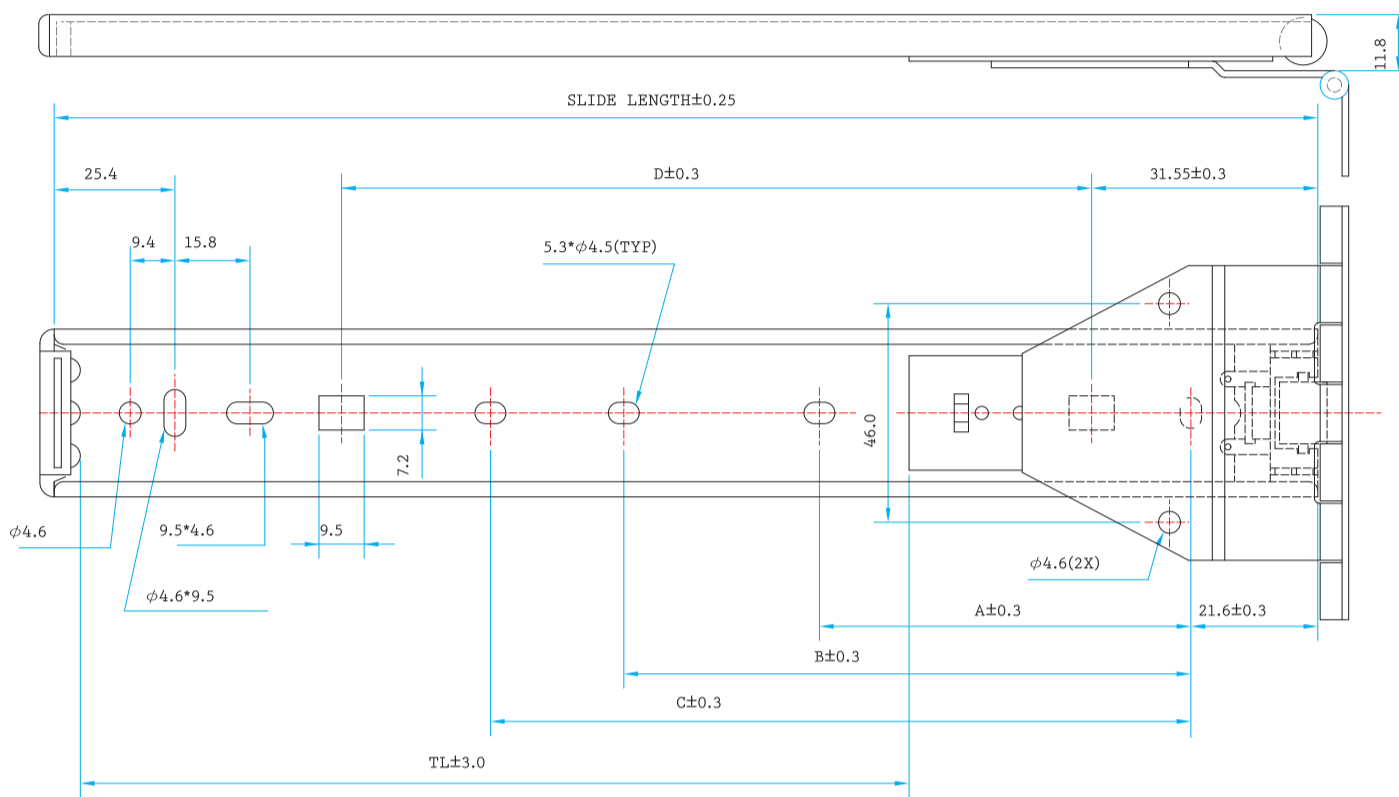
- Clear Zinc
- Black Zinc
- Black E. Coating
- White E Coating
- Stainless Steel
- Galvanized Steel

Packaging

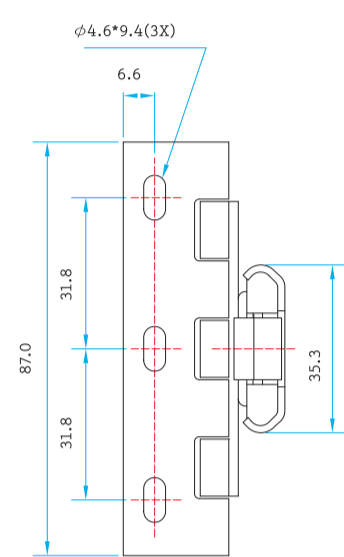
- Distribution / 25 pairs per box

*Box QTY might vary with different length, the info provided here is based on 18" (450 mm)

Drawing



Profile



Specification Table

SIZE	SL	TL	A	B	C	D
12" (300mm)	301.8	214.2		77.6	156.5	200.5
13" (325mm)	327.2	239.6	103.4		181.69	225.9
14" (350mm)	352.6	265.0	103.4	128.4	207.3	251.3
16" (400mm)	403.4	315.8	103.4	179.2	258.1	302.1
18" (450mm)	454.2	366.6	103.4	230.0	308.9	352.9
20" (500mm)	505.0	417.4	103.4	280.0	359.7	403.7
22" (550mm)	555.8	468.2	103.4	331.6	410.5	454.5
24" (600mm)	606.6	519.0	103.4	382.4	461.3	505.3

Installation Instructions

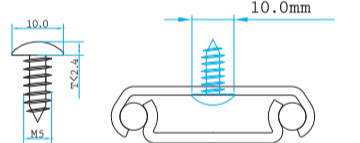
QUICK INSTALLATION GUIDE OF NJ-27002

Flipper Door Slide, 20 pound (9 kgs) loading

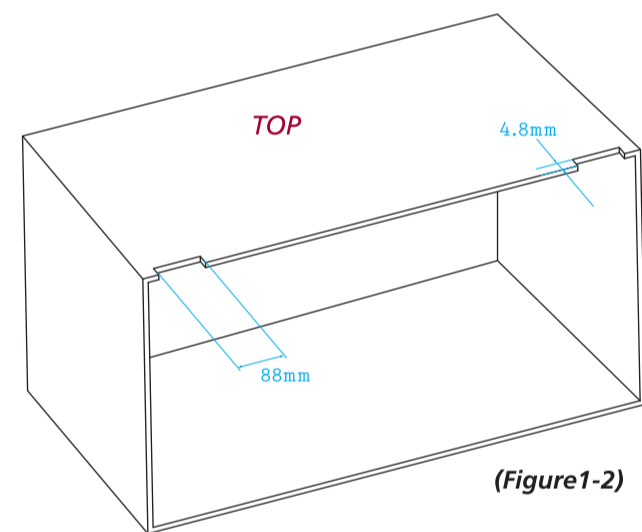


READ THE QUICK INSTALLATION GUIDE FIRST BEFORE INSTALLATION

A. Recommended screws for fixing – #8 pan head screws. (pls refer to the following instruction for proper screw length).



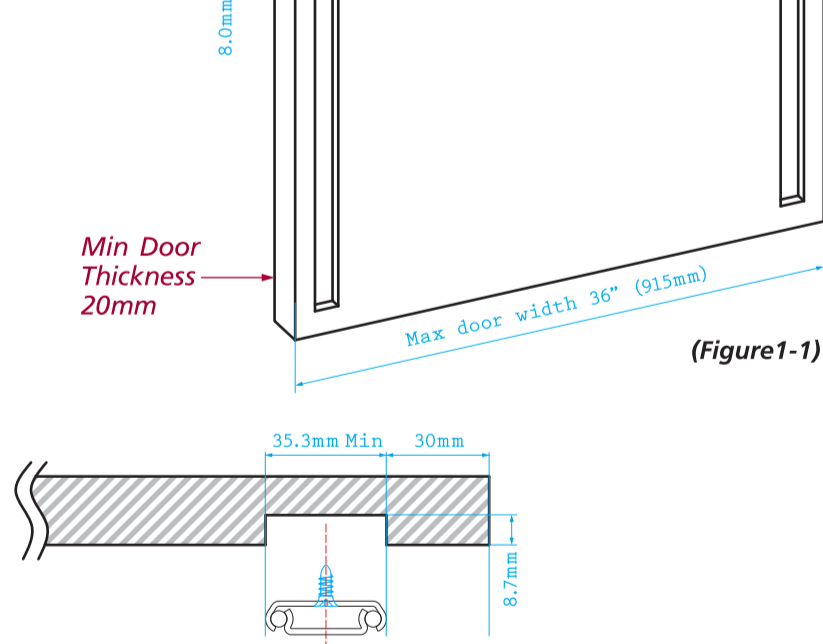
Routing the cabinet top, refer to fig 1-2. (Figure1-2)



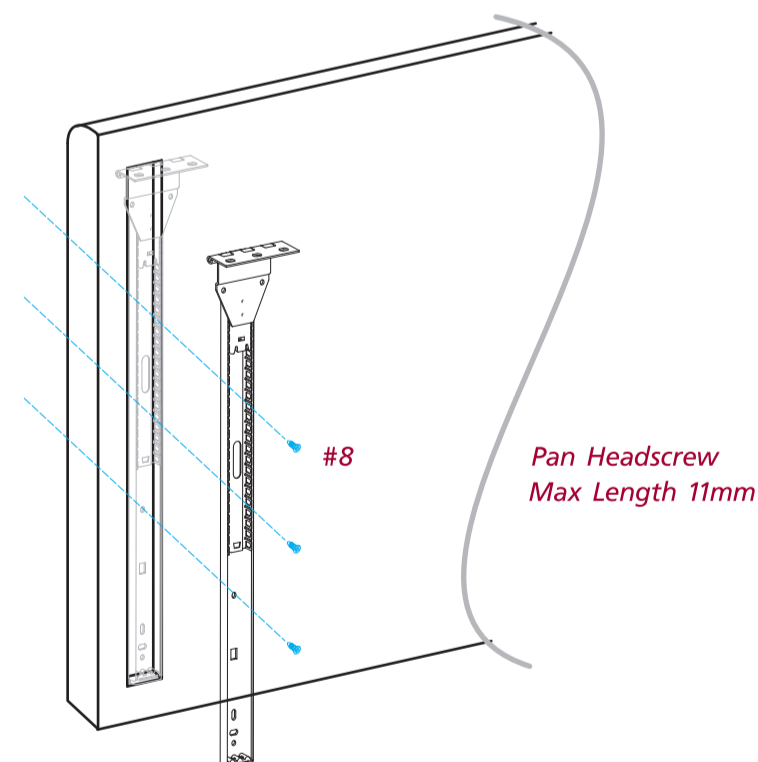
Step 1 > Technical Specifications for flipper door and cabinet top



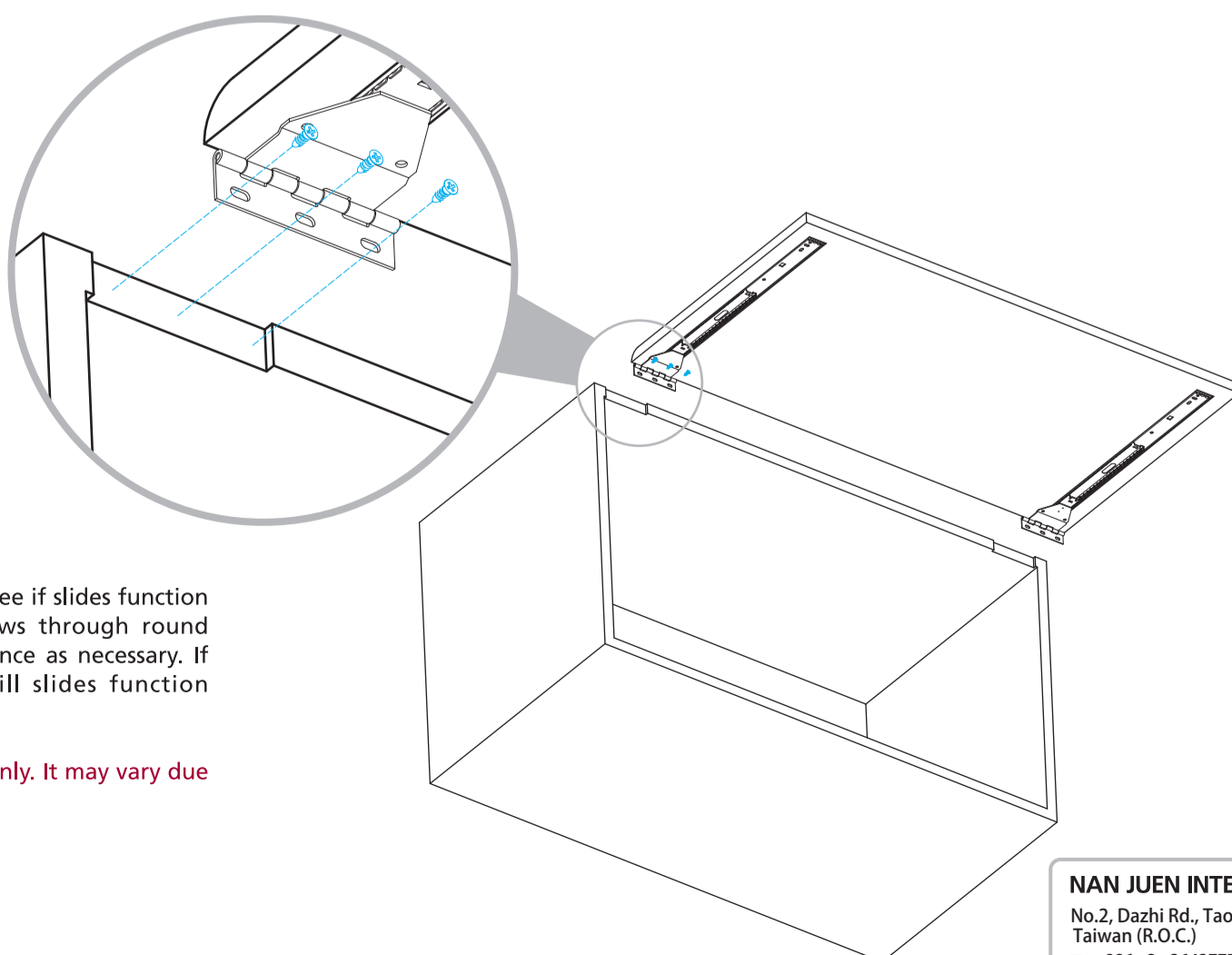
Routing the door, refer to fig 1-1. (Figure1-1)



Step 2 > Mount slides to flipper door



Step 3 > Attach door to the cabinet



Final Adjustment.....

Try to open and close the door to see if slides function correctly. If so, install more screws through round holes for better loading performance as necessary. If not, please make adjustment till slides function correctly.

※This instruction is for reference only. It may vary due to different applications.



NAN JUEN INTERNATIONAL CO., LTD.
No.2, Dazhi Rd., Taoyuan Dist., Taoyuan City 330, Taiwan (R.O.C.)
T + 886 - 3 - 3642777(Rep.) F + 886 - 3 - 3762777
www.repongroupp.com