

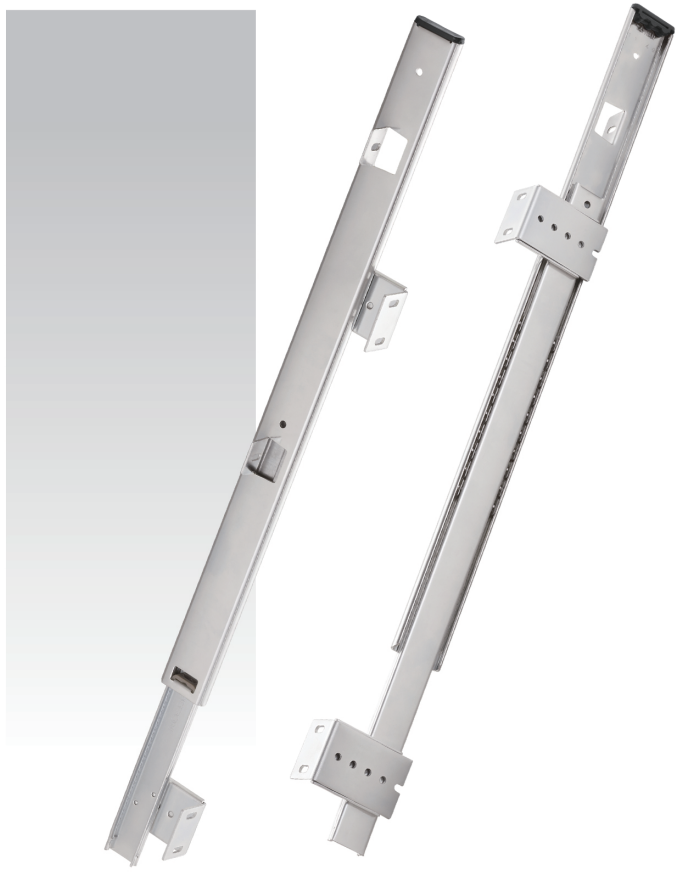


NJ-26016

Under Counter Slides
50 pound class (22 kgs)



Product Photo



Features



Mounting | Bottom mount on shelf tabs of outer members, inner members mount to the underside of desk or table by mounting brackets.

Slide Clearance | 1-1/16" of inboard position, 1-17/32" of outboard position each side.

Height | 2-29/64" to 3-99/128" of overall adjustable height.

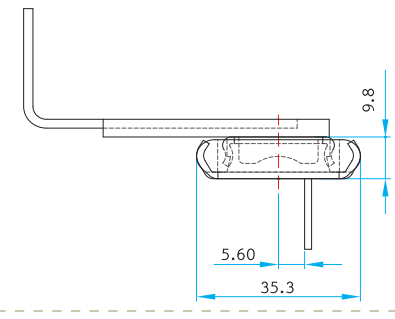
Loading | 50 pound (22 kgs) class.

Size | 12"(300 mm) through 24"(600 mm) at 2"(50 mm) increment.

Feature | Hold-out design holds keyboard in open position. Hold-in design to prevent bounce back. Shelf tab design for easy drop-mounting. 4 different adjustable heights, mounting bracket.

Option | None.

Profile



Surface Treatment

- Clear Zinc
- Black Zinc
- Black E. Coating
- White E Coating
- Stainless Steel
- Galvanized Steel

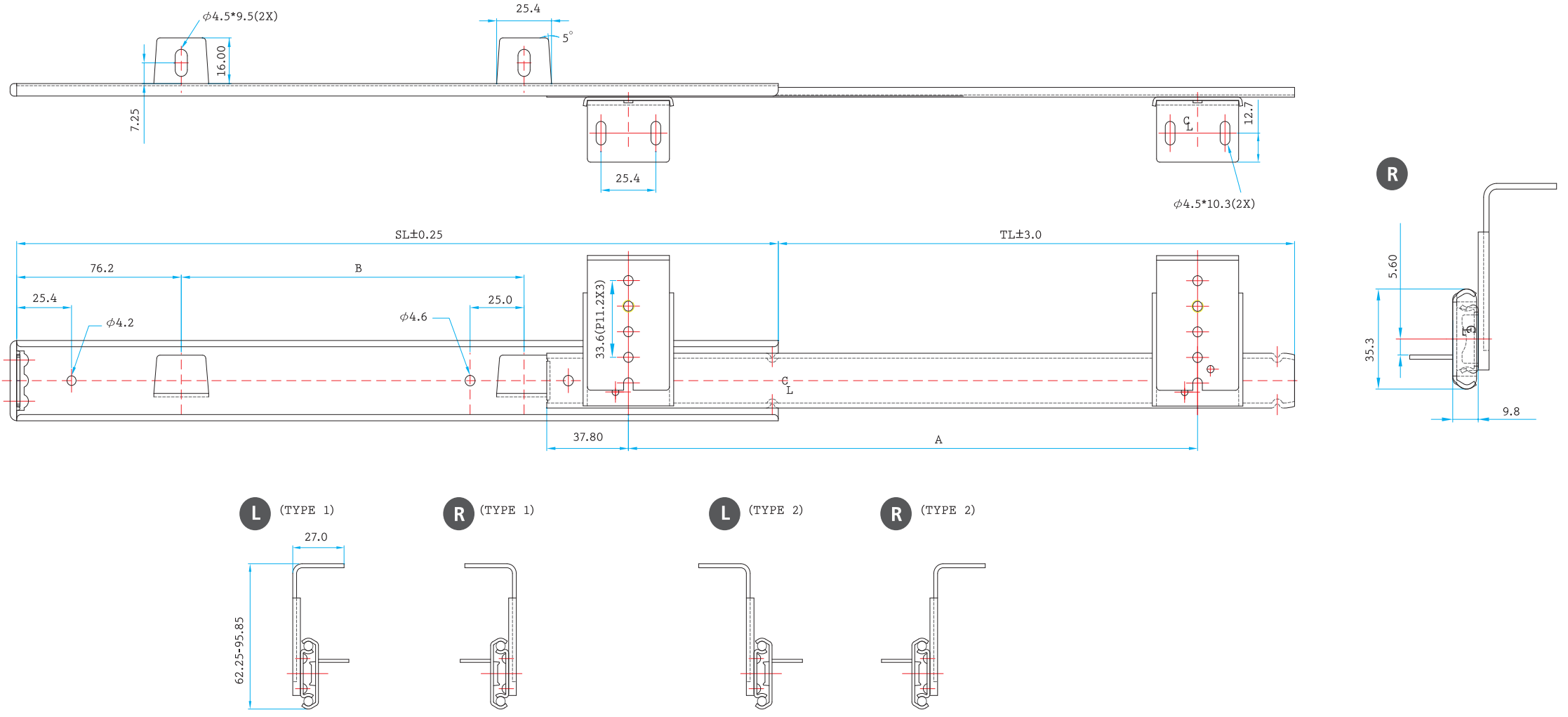
Packaging

- Distribution / 20 pairs per box

*Box QTY might vary with different length, the info provided here is based on 18" (450 mm)

Drawing

Profile



Specification Table

SIZE	SL	TL	A	B
12" (300mm)	302.05	201.0	212.7	107.9
14" (350mm)	352.85	239.0	263.5	158.7
16" (400mm)	403.65	277.0	314.3	184.1
18" (450mm)	454.45	315.0	365.1	209.5
20" (500mm)	505.25	353.0	415.9	260.3
22" (550mm)	556.05	391.0	415.9	311.1
24" (600mm)	606.85	442.0	415.9	361.9

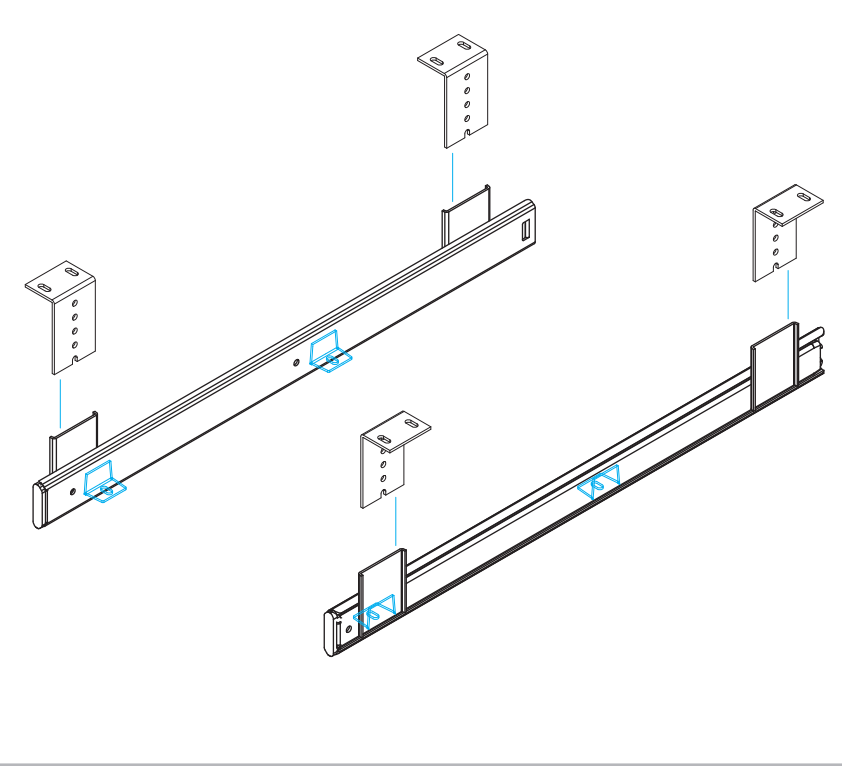
Installation Instructions

QUICK INSTALLATION GUIDE OF NJ-26016

Under Counter Slides, 50 pound (22 kgs) loading

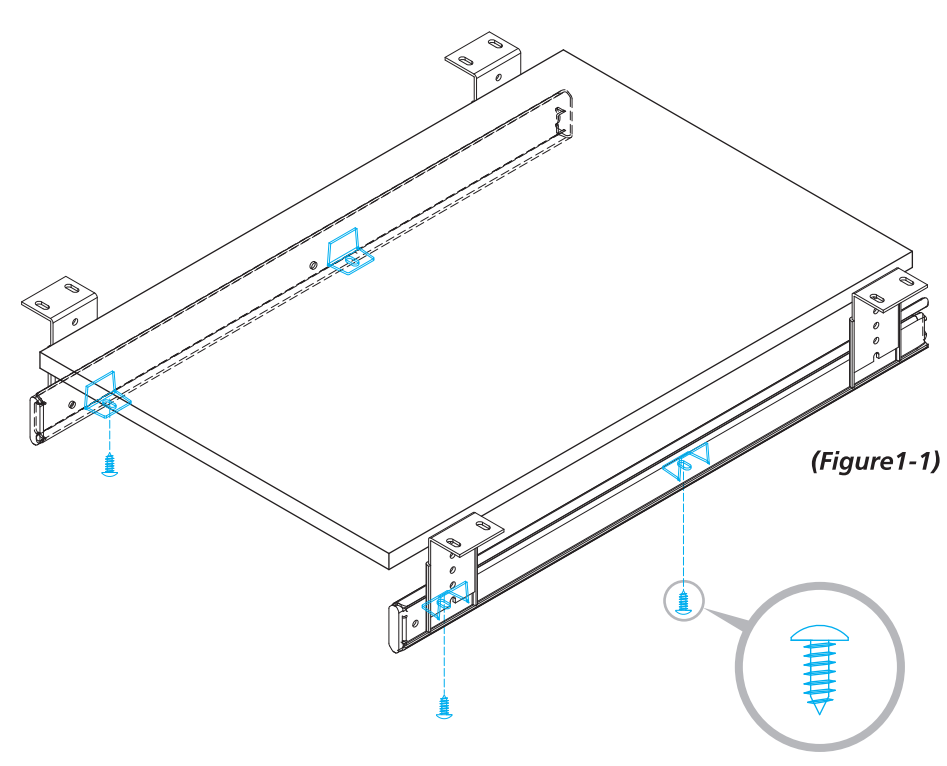
😊 READ THE QUICK INSTALLATION GUIDE FIRST BEFORE INSTALLATION

- A. Recommended screws for fixing – flat head 6 mm euro system screw or #8 pan head screws. Each side of slide requires at least 6 screws .
- B. Make sure all parts are in place. 1 pairs of slides, 4 L shaped brackets and 4 M4 screws (to attach the bracket to slide).



Step 1 > Install the keyboard shelf to the slides

👉 place keyboard shelf on the shelf tab as shown on fig 1. (Figure1-1)



👉 Screw the shelf through the slot on shelf tab from the bottom.

Step 2 > Install the shelf to the desk bottom

👉 Select L shaped bracket direction (inboard or outboard) and height (62.25 mm~95.58 mm), then secure the brackets with M4 screws. (Figure2-1)

👉 Attach brackets to the desk bottom and screw them with 2 #8 screws per bracket.



Final Adjustment.....

Try to open and close the drawer to see if lock open and slides function correctly. If so, secure the screws and install additional screws as necessary.

※This instruction is for reference only. It may vary due to different applications.

