



NJ-26010

Under Counter Slides

50 pound class (22 kgs)



Under Counter

» Features » Drawing » Specification Table » Installation Instructions

Product Photo



Features



Mounting | Bottom mount on shelf tabs of outer members, inner members mount to the underside of desk or table by mounting brackets.

Slide Clearance | 1-35/64" of NJ-2361, 1-1/16" of NJ-2362 each side.

Height | 3-1/32"

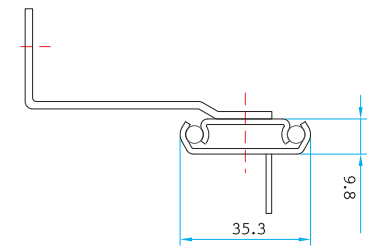
Loading | 50 pound (22 kgs) class.

Size | 12" (300 mm) through 24" (600 mm) at 2" (50 mm) increment.

Feature | Hold-out design holds keyboard in open position. Hold-in design to prevent bounce back. Shelf tab design for easy drop-mounting. Outboard installation.

Option | Mounting screws. NJ-26012 : inboard installation.

Profile



Surface Treatment

- Clear Zinc
- Black Zinc
- Black E. Coating
- White E Coating
- Stainless Steel
- Galvanized Steel

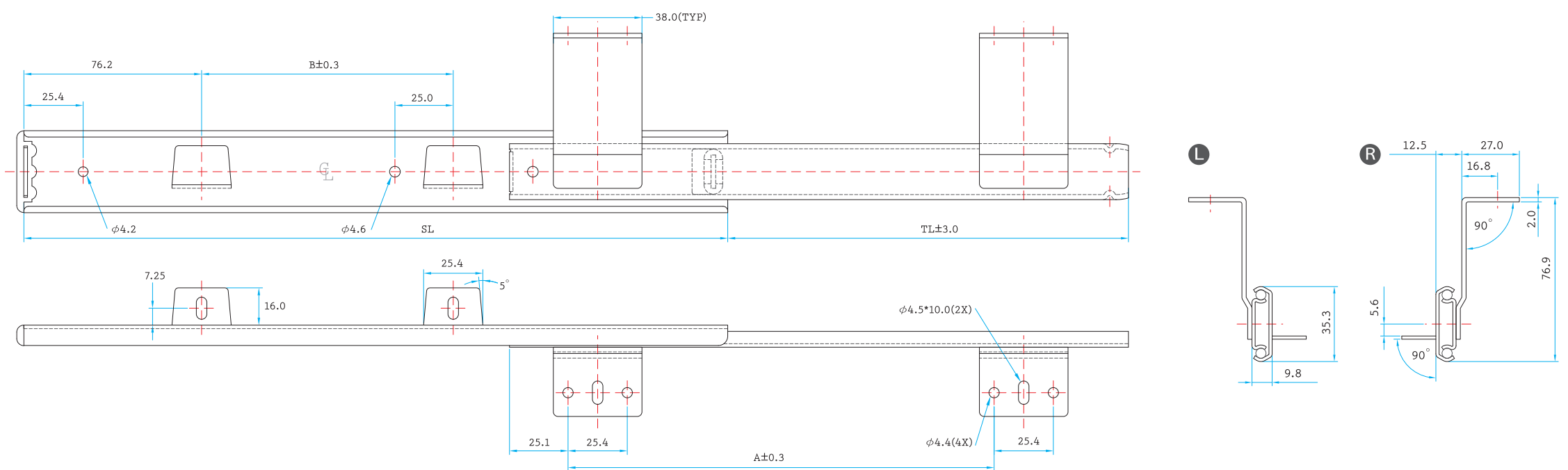
Packaging

- Distribution / 15 pairs per box

*Box QTY might vary with different length, the info provided here is based on 18" (450 mm)

Drawing

Profile



Specification Table

SIZE	SL	TL	A	B
12" (300mm)	302.05	201.0	212.7	107.9
14" (350mm)	352.85	239.0	263.5	158.7
16" (400mm)	403.65	277.0	314.3	184.1
18" (450mm)	454.45	315.0	365.1	209.5
20" (500mm)	505.25	353.0	415.9	260.3
22" (550mm)	556.05	391.0	415.9	311.1
24" (600mm)	606.85	442.0	415.9	361.9

Installation Instructions

QUICK INSTALLATION GUIDE OF NJ-26010

Under Counter Slides, 50 pound (22 kgs) loading

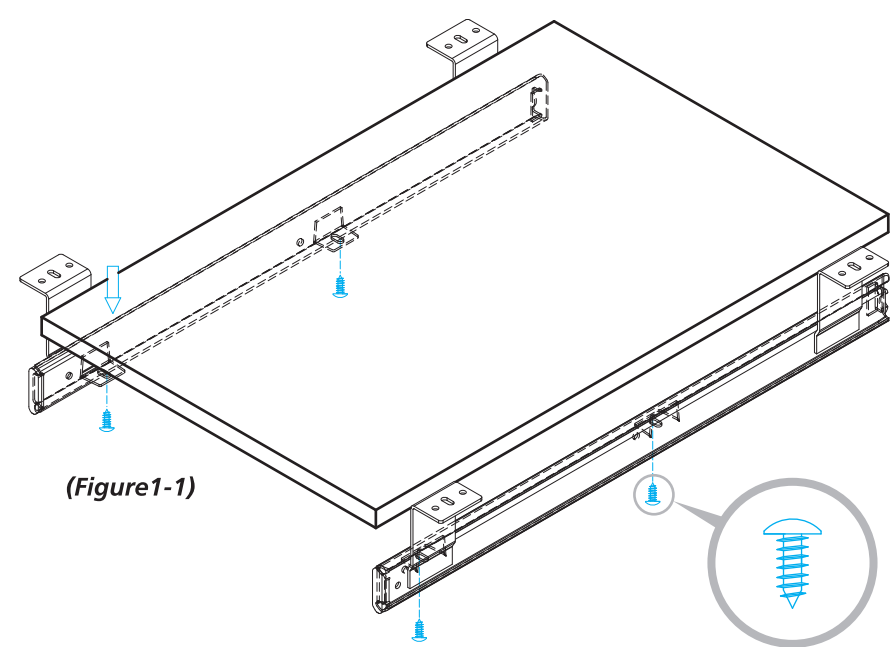


READ THE QUICK INSTALLATION GUIDE FIRST BEFORE INSTALLATION

A. Recommended screws for fixing – flat head 6 mm euro system screw or #8 pan head screws. Each side of slide requires at least 6 screws.

Step 1 > Install the keyboard shelf to the slides

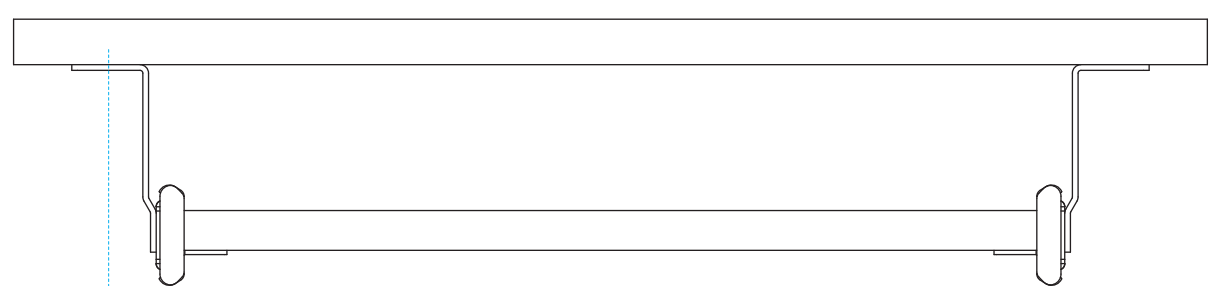
Place keyboard shelf on the shelf tab as shown on fig 1. (Figure1-1)



Screw the shelf through the slot on shelf tab from the bottom. (Figure1-2)

Step 2 > Install the shelf to the desk bottom

Attach the brackets to the desk bottom and screw them with 2 #8 screws per bracket. (Figure2-1)



Final Adjustment.....

Try to open and close the drawer to see if lock open and slides function correctly. If so, secure the screws and install additional screws as necessary.

2#8 Pan head Screws per bracket

*This instruction is for reference only. It may vary due to different applications.

NAN JUEN INTERNATIONAL CO., LTD.
 No. 11, Alley 52, Lane 413, Ying-tao Road, Ying-ghor Dist, New Taipei City 239, Taiwan (R.O.C.)
 T +886-2-2677-7429 F +886-2-2677-5264
 www.repongroupp.com

