



NJ-22004

Center Mounting Slides

25 pound class (11 kgs)

Product Photo

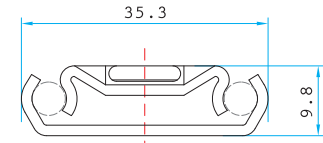


Features



Mounting | Flat mount.
Slide Clearance | 1/8" (3 mm) each side.
Height | 3/8" (9.8 mm)
Loading | 25 pound (11 kgs) class.
Size | 10" (250 mm) through 24" (600 mm) at 2" (50 mm) increment.
Feature | For limited side clearance applications Friction disconnection for drawer removal. Rear mounting bracket for length adjustment.
Option | L shaped or flat type rear mounting bracket. NJ-22012 (hole pattern is different from NJ-22004).

Profile



Surface Treatment

- Clear Zinc
- Black Zinc
- Black E. Coating
- White E Coating
- Stainless Steel
- Galvanized Steel

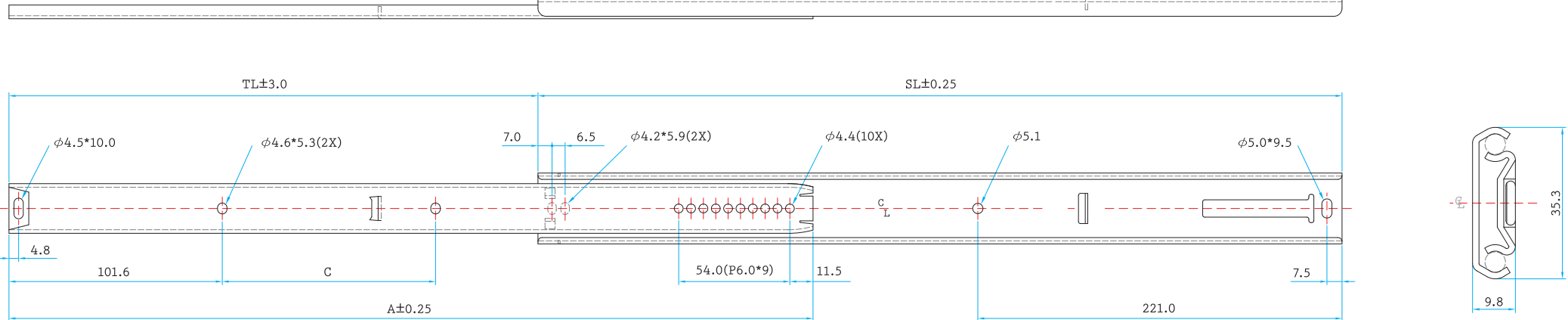
Packaging

- Distribution / 10 pairs per box

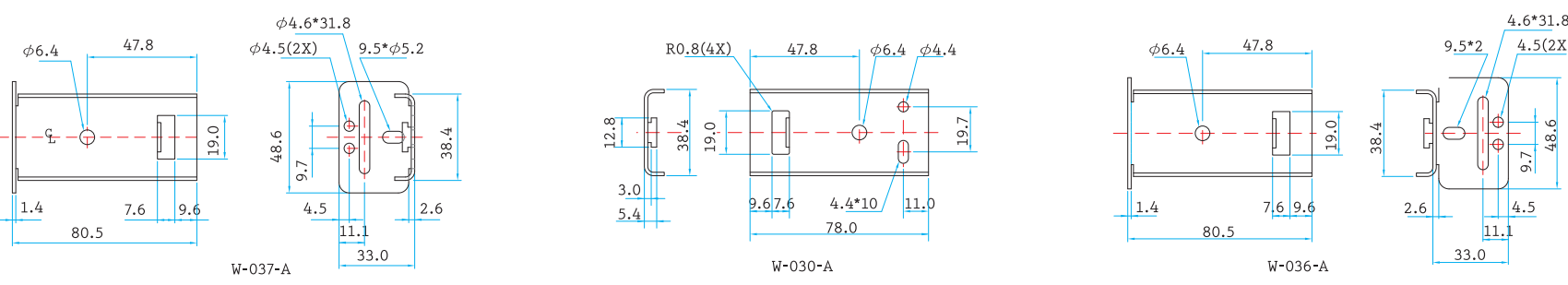
*Box QTY might vary with different length, the info provided here is based on 18" (450 mm)

Drawing

Profile



Bracket Option



Specification Table

SIZE	SL	TL	A	C
10" (250mm)	251.25	165.2	250.75	
12" (300mm)	302.05	216.0	301.55	101.6
14" (350mm)	352.85	266.7	352.35	101.6
15" (375mm)	378.25	266.7	377.75	101.6
16" (400mm)	403.65	304.8	403.15	101.6
17" (425mm)	429.05	307.0	428.55	101.6
18" (450mm)	454.45	317.5	453.95	101.6
19" (475mm)	479.65	352.9	479.15	101.6
20" (500mm)	505.25	368.3	504.75	101.6
22" (550mm)	556.05	419.1	555.55	101.6
24" (600mm)	606.85	444.5	606.35	101.6

Installation Instructions

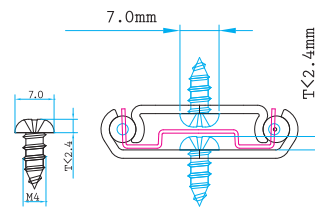
QUICK INSTALLATION GUIDE OF NJ-22004

Single Extension Slide, 25 pound (11 kgs) loading



READ THE QUICK INSTALLATION GUIDE FIRST BEFORE INSTALLATION

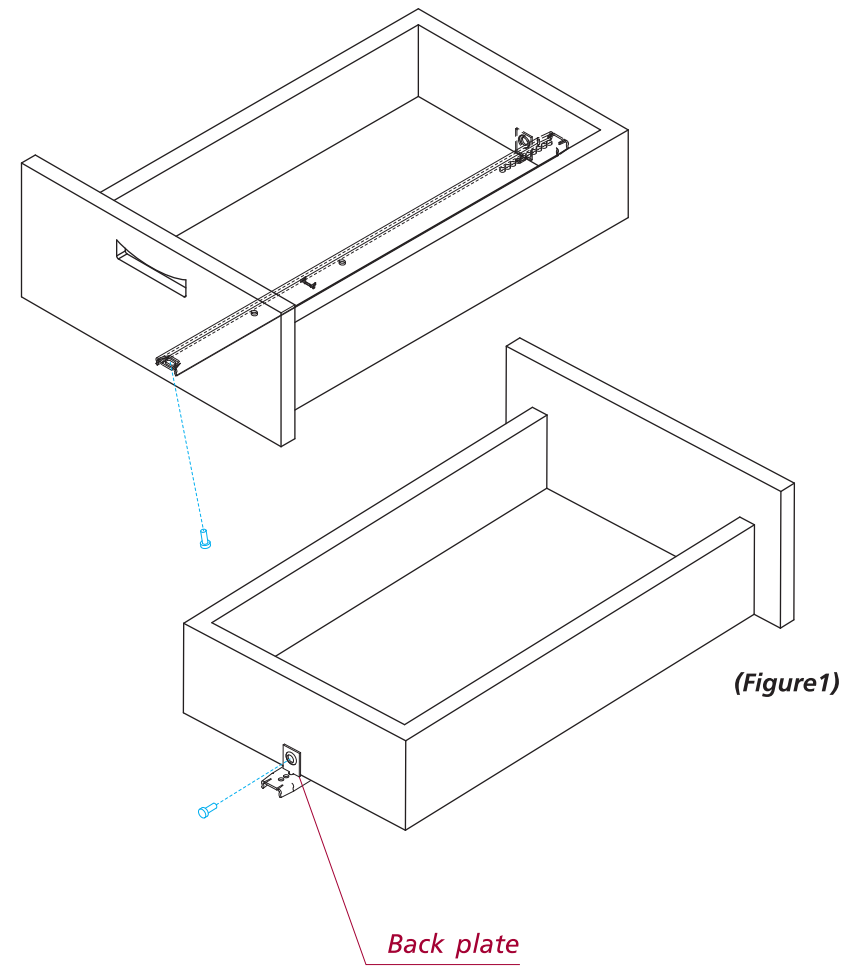
- A. One drawer requires one piece of slide, one adjustable bracket, one drawer back plate and 2 tacks.
- B. Recommended screws for fixing – 4 #8 screws



Step 1 > Mount drawer onto the slide

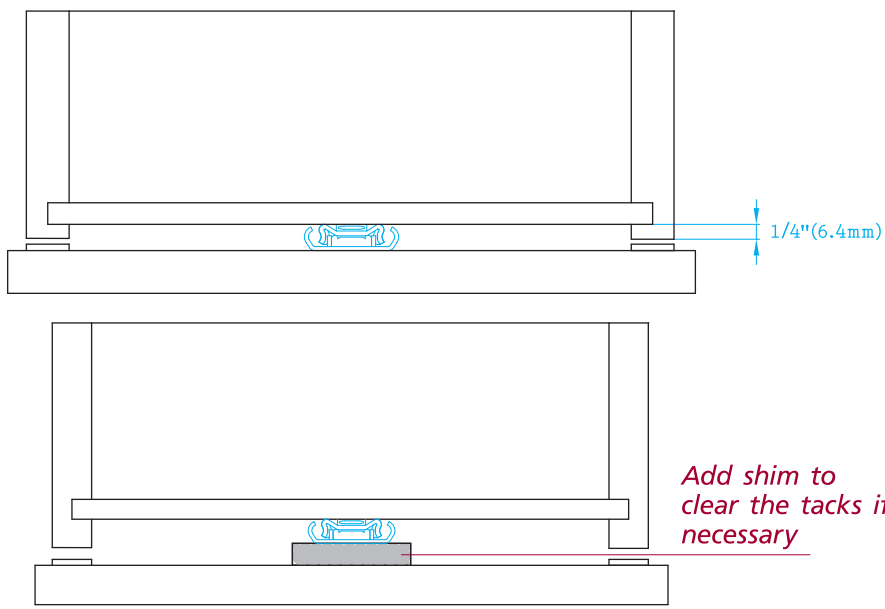
Place the drawer member on center of drawer bottom as shown on fig 1. (Figure1)

* for drawer depth is shorter than slide, drawer back plate is recommended.



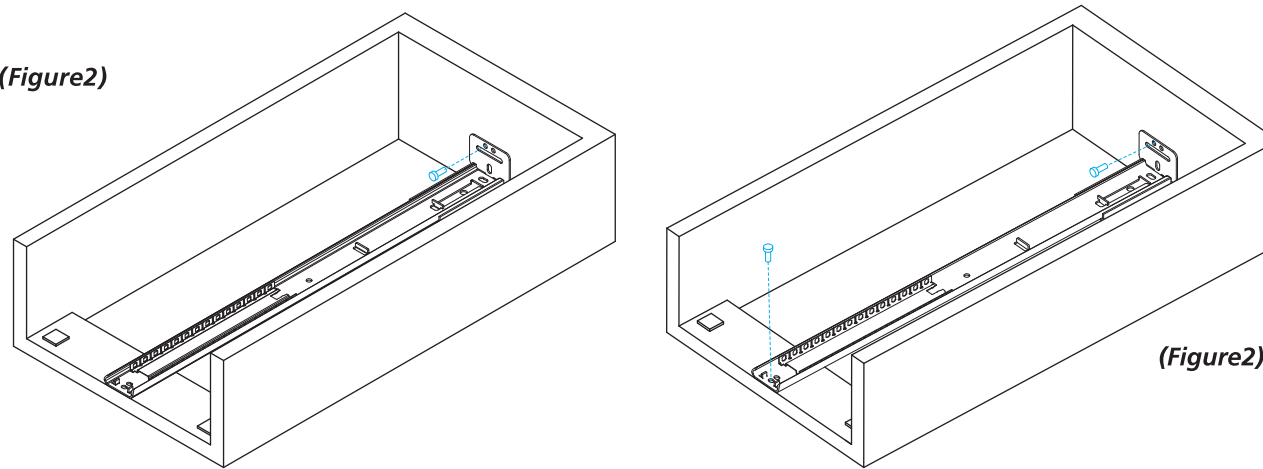
Technical Specifications for drawer

- ① Recessed drawer bottom* (DIM A)
- * assume drawer bottom is recessed by 1/4" (6.4 mm).



Step 2 > Mount slide to the cabinet

as shown on fig 4. (Figure2)



Step 3 > Insert drawer into the cabinet

Final Adjustment.....

Try to open and close the drawer to see if slides function correctly. If so, secure the screws and install additional screws as necessary.

※This instruction is for reference only. It may vary due to different applications.

