

Sliding Door Damper System Quick Installation Guide

Step 1 > Upper track dimension

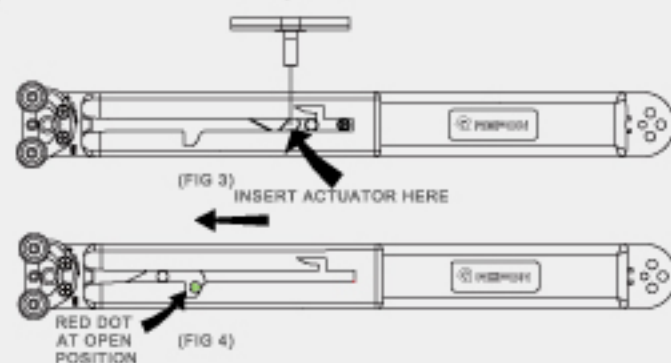
Measure inner track width as shown of FIG 1. Our Damper works for inner track width from 36mm to 40mm.

Based on your measurement, adjust the guiding wheel width by rotating the wheel cam as shown on FIG 2. After proper width is set, fasten the screws. Wheel cam adjust from 36mm to 40mm, each increment is 0.5mm.



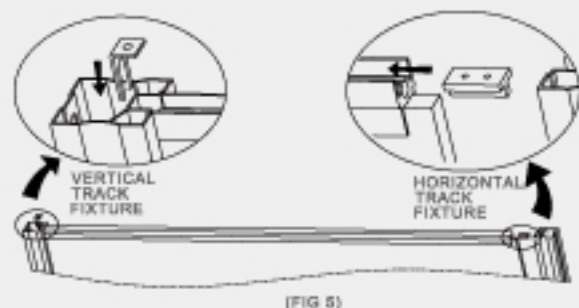
Step 2 > Set S.C. at open position

As shown on FIG 3, Pls insert the actuator into the latch, and then pull the red latch to open position as FIG 4. (mind the black dot position)

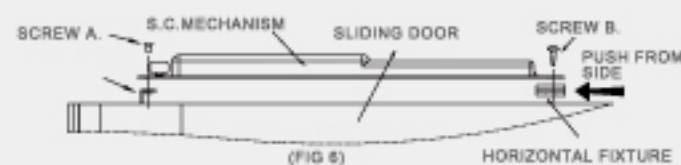


Step 3 > Mounting S.C. mechanism and other parts

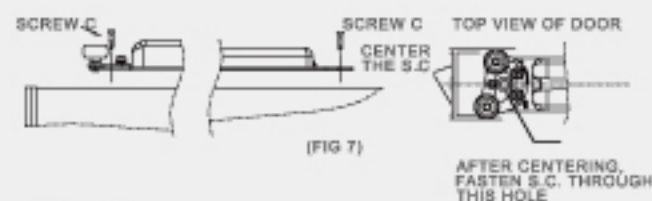
Type 1: Insert the vertical track fixture and horizontal track fixture as direction arrow shown on FIG 5, and then fasten them with screws and then put the door frame on.



As shown on FIG 6, fix front of S.C. into vertical track fixture with screw A, and rear into horizontal one.



Type 2: Alternative mounting for wooden door: H.Fixture and V.Fixture are not required. Use screw C to Mount S.C. mechanism as FIG 7.

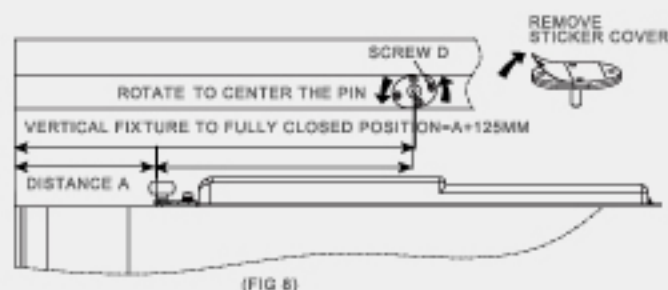


Step 4 > Fix actuator

As shown on FIG 8, the distance from actuator to vertical fixture is equal to the one from the front of S.C. (distance A) to vertical fixture + 125mm

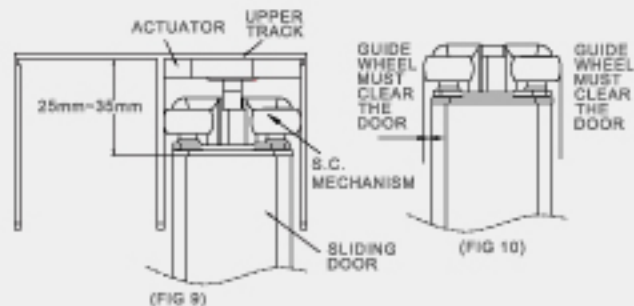
Remove the sticker cover on bottom of actuator, and place the center of pin on the suggested point. Rotate the actuator to the center of upper track.

Try to move the door back and forth to see if any interference. Fix the actuator with screw after proper location is determined.



** IMPORTANT NOTES **

- A. The location of actuator must be the same as shown on FIG 8.
- B. When installing sliding door, need to adjust the lower wheels to make a gap between 25mm to 35mm to clear the S.C. mechanism.
- C. As step 3 suggested, if you mount S.C. to type 2. The construction of sliding door and material to make the door must be sufficient to firmly fasten the S.C. to the door. Either type 1 or 2 mounting, guide wheels must clear the upper track.



Slides into your life!

Silent

Smooth

Life-time
Warranty

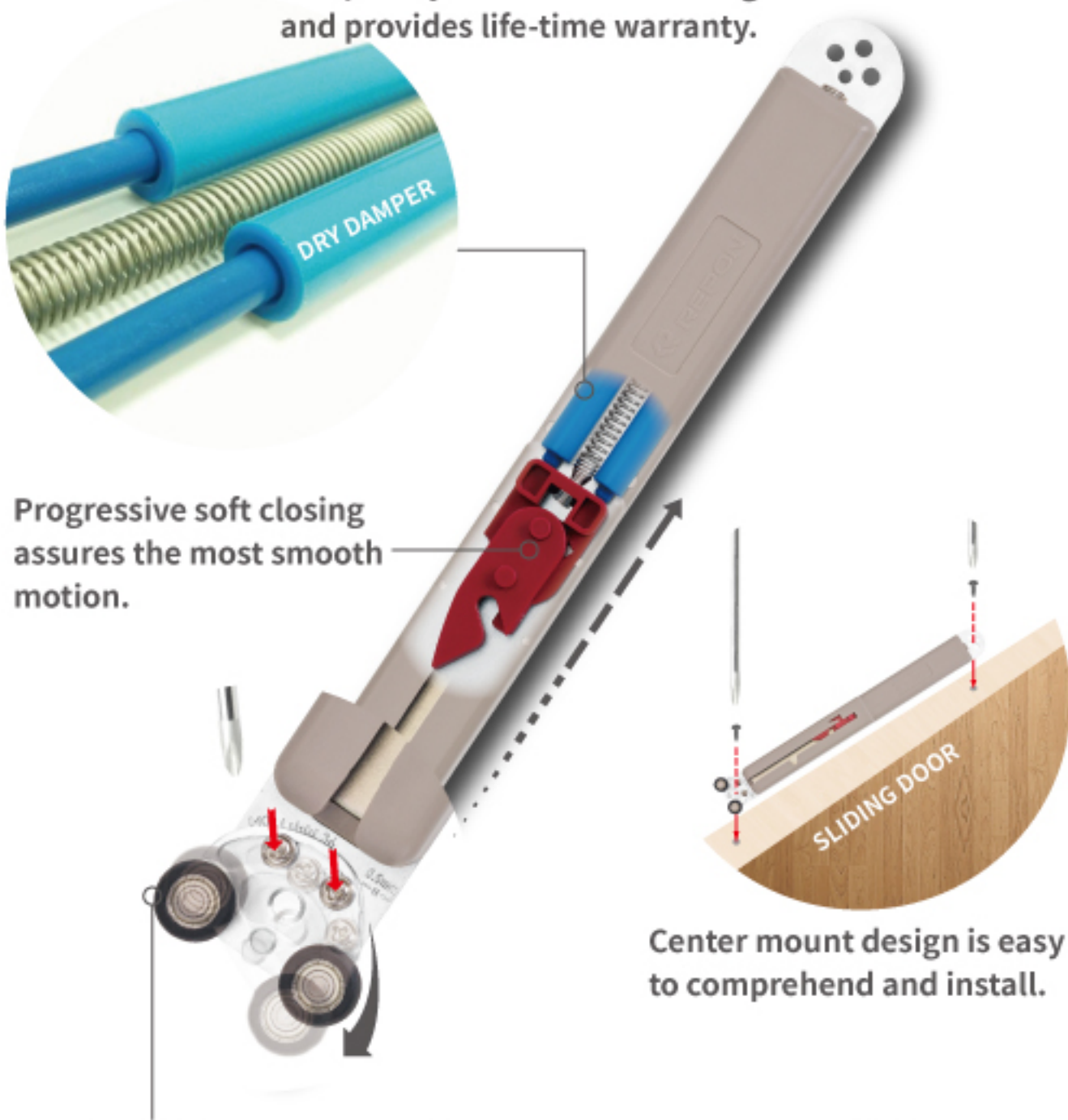
REPON SLIDING DOOR DAMPER SYSTEM

Head Office & Taipei Facility
Nan Juen International Co., Ltd.

No. 11, Alley 52, Lane 413, Ying-tao Road, Ying-ghor Dist,
New Taipei County 239, Taiwan (R.O.C)
Tel : +886-2-2677-7429 (Rep.)
Fax : +886-2-2677-7142
E-mail : sales@repon.com.tw

Features

Exclusive "Dry" damper technology completely eliminates oil leakage, and provides life-time warranty.



Progressive soft closing assures the most smooth motion.

Center mount design is easy to comprehend and install.

Work for different upper and lower tracks. Upper track width may vary from 36mm to 40mm. Guide wheel can be adjusted to fit different upper track width.

General Sliding Door Series

YL-ES-T

Medium Duty General Sliding Door Damper



Appearance Size	328.5*30*16.5mm
Track size	36-40
Tension Force Value	≤2.2kg
Load-bearing capacity	15-35kg
Return Distance	69mm
The Service Lifetime	50,000 times

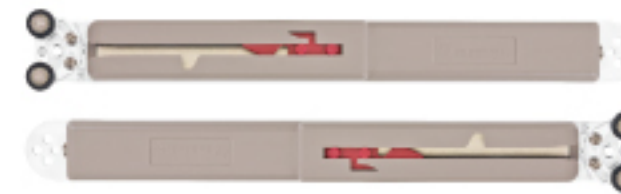
YL-EH-T

Heavy Duty General Sliding Door Damper

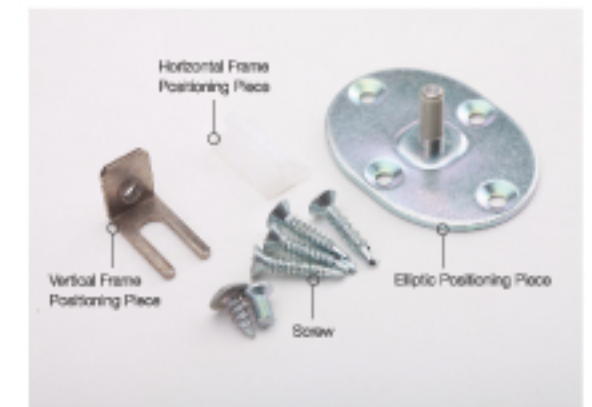


Appearance Size	328.5*30*17.5mm
Track size	36-40
Tension Force Value	≤3.5kg
Load-bearing capacity	35-60kg
Return Distance	69mm
The Service Lifetime	50,000 times

Each Package Includes The Following Parts



Medium Duty General Sliding Door Damper * 2



Optioned Accessories



YL-ET-X
Upper Roller



YL-ED-X
Lower Roller



TL-EG-J
Sliding Door Track

Appearance Size	82.1*49mm
The Upper Frame Size	38.8mm



YL-EG-J
Sliding Door Rail

Appearance Size	80*8.0mm
The Lower Frame Size	4.8mm