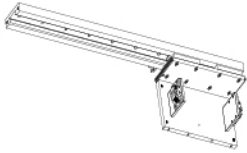


## ! IMPORTANT

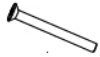
### Before You Start



Linear Rail kit x2 pieces  
use Hex wrench Philip screw driver



Linkage plate x2 pieces  
use Philip screw driver  
Philip screw driver



M8 x 80  
Hex countersunk screw  
x 8 pieces

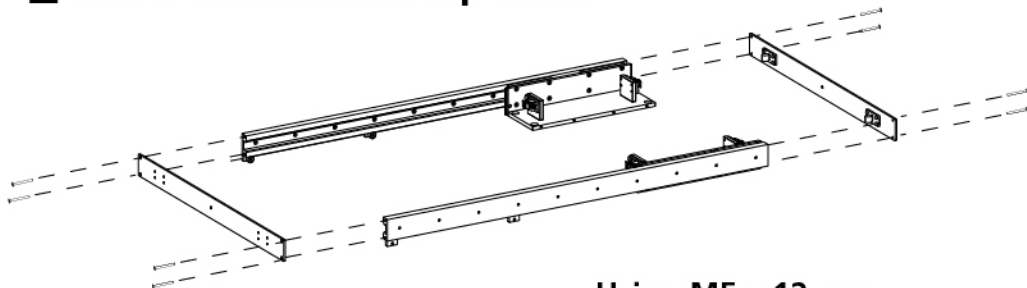


4.8mm  
phillip self-tapping screw  
x 12 pieces



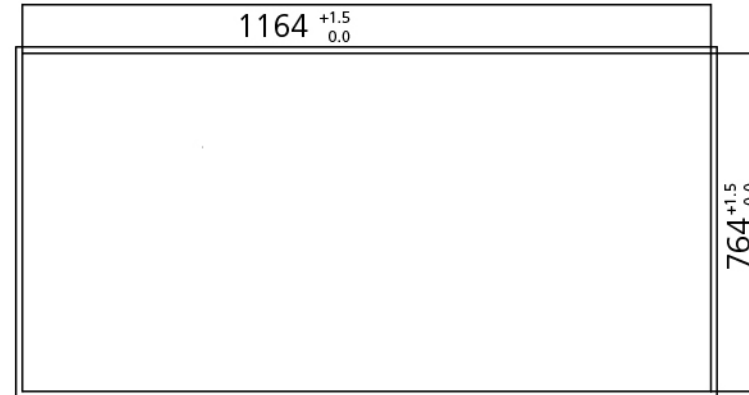
M5 x 12mm  
phillip round head screw  
x 8 pieces

## ■ Assemble concealed top frame

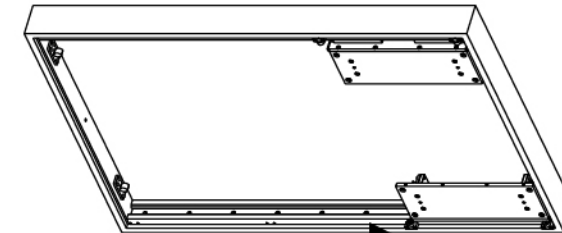
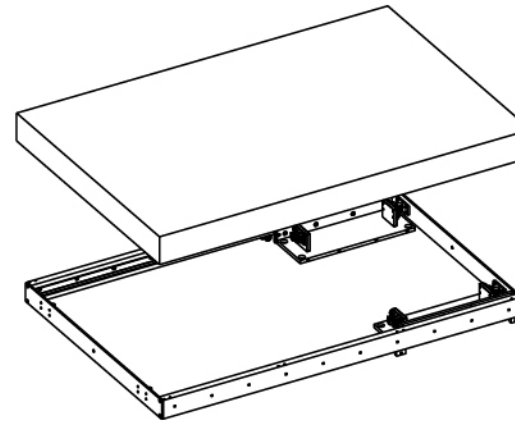


Using M5 x 12mm  
phillip round head screws

## ■ Prepare top cover



1200mm top cover dimension  
Board dimension : 18mm  
Countertop inner height : 72mm



Secure the top cover with 4.8mm self tapping screws



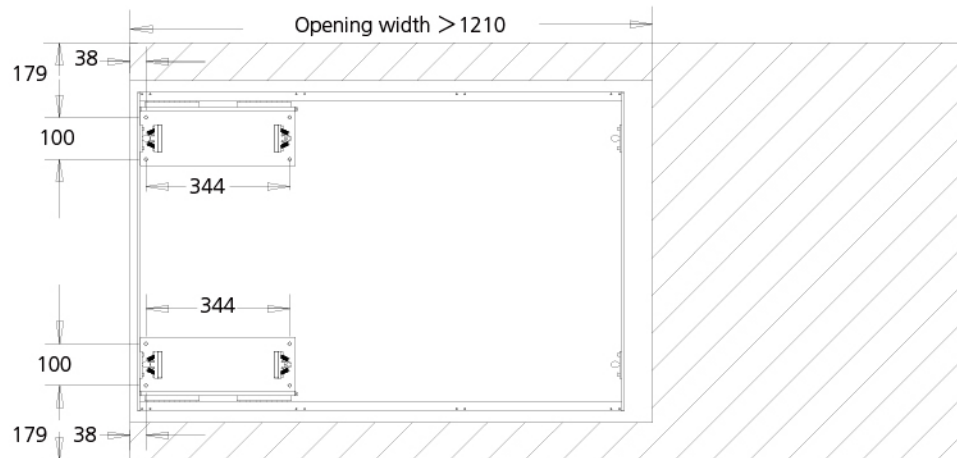
## Concealed boring pattern on cabinet top

1200mm island cabinet top boring pattern

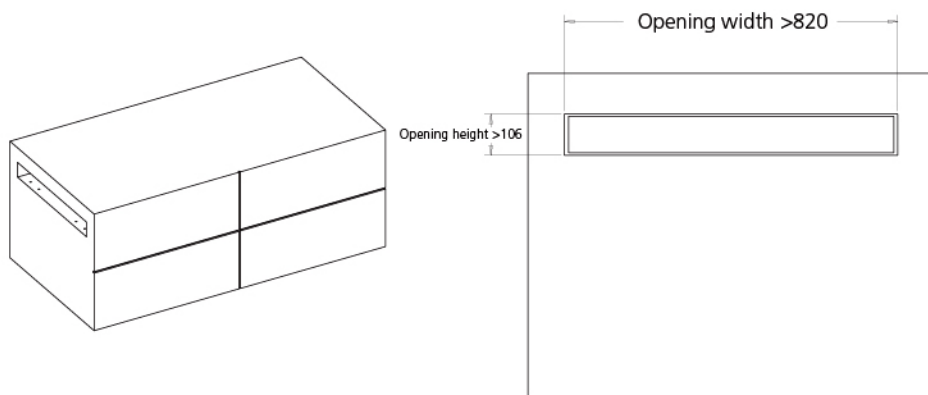
Boring diameter : 8.5~9mm

Qty:8

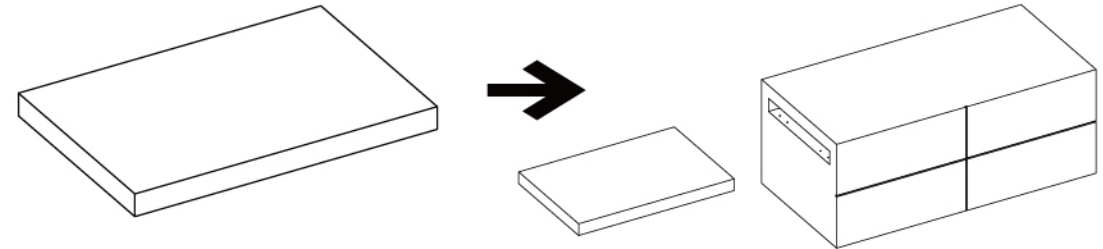
\* Must pre-bore the bottom before mounting \*



## Opening dimension on the side of island cabinet

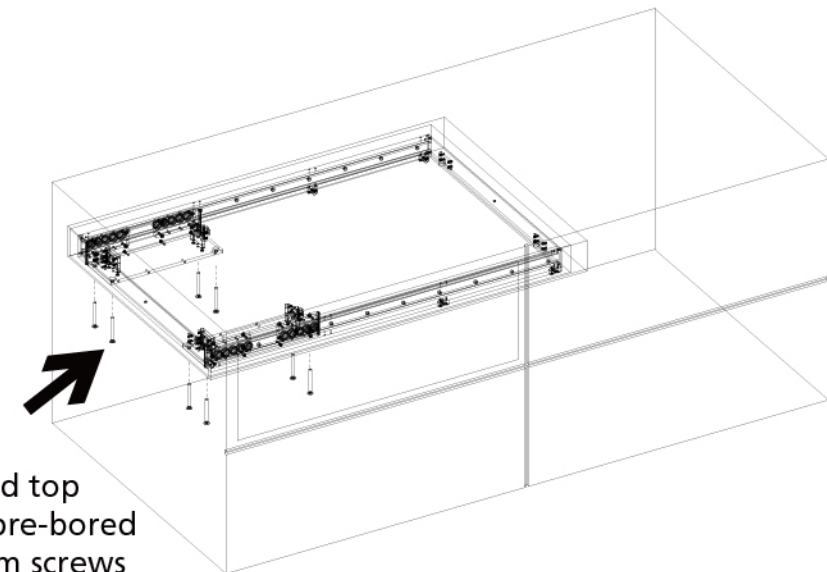


## Install the concealed top



You need to fix the cover to the frame first

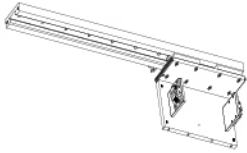
Inserting the cover ( with frame ) into the opening



Secure the concealed top assembly from the pre-bored hole with M8 x80mm screws

## ! IMPORTANT

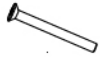
### Before You Start



Linear Rail kit x2 pieces  
use Hex wrench Philip screw driver



Linkage plate x2 pieces  
use Philip screw driver  
Philip screw driver



M8 x 80  
Hex countersunk screw  
x 8 pieces

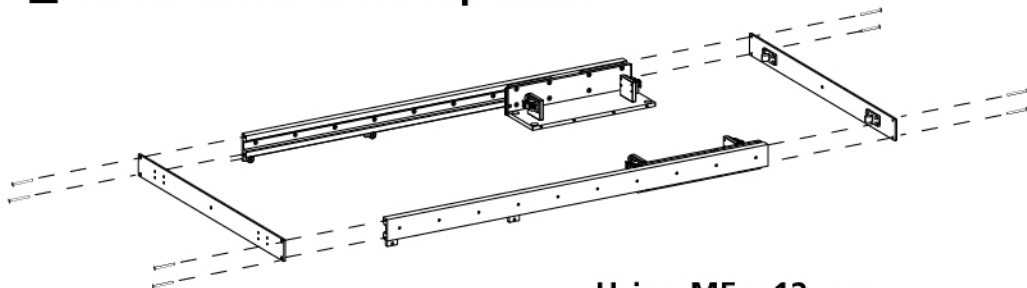


4.8mm  
phillip self-tapping screw  
x 12 pieces



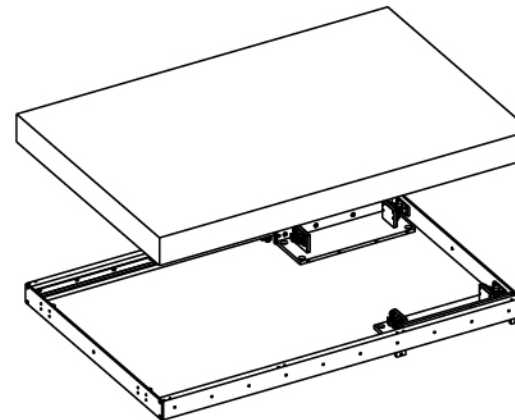
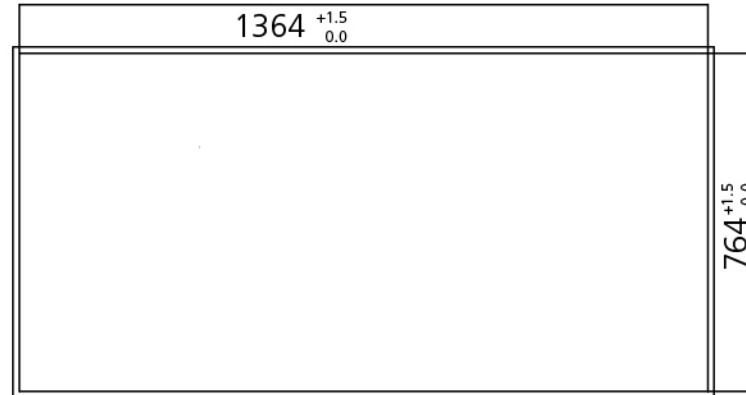
M5 x 12mm  
phillip round head screw  
x 8 pieces

## ■ Assemble concealed top frame



Using M5 x 12mm  
phillip round head screws

## ■ Prepare top cover



1400mm top cover dimension  
Board dimension : 18mm  
Countertop inner height : 72mm



Secure the top cover with 4.8mm self tapping screws



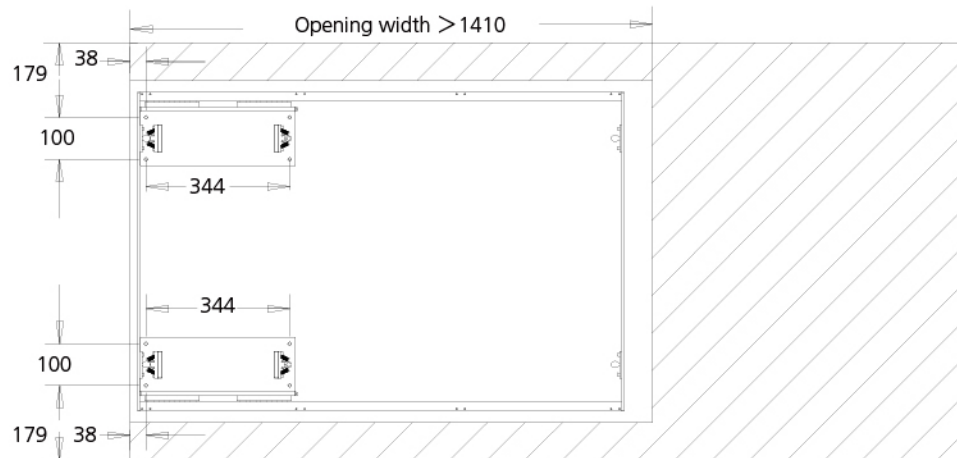
## Concealed boring pattern on cabinet top

1400mm island cabinet top boring pattern

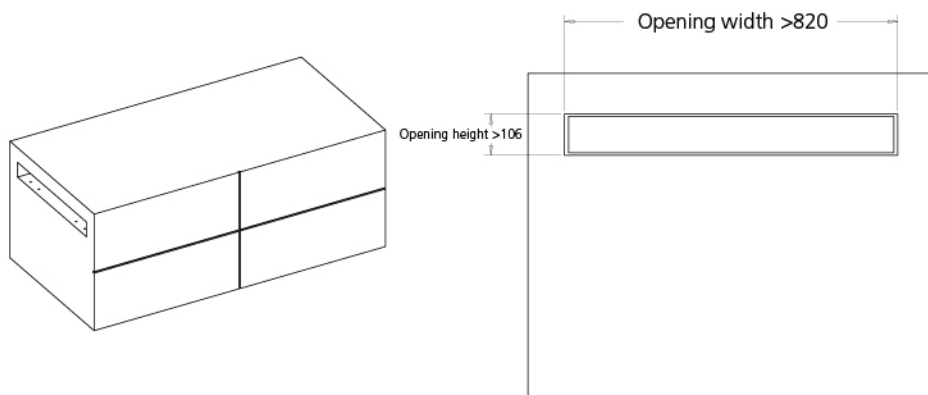
Boring diameter : 8.5~9mm

Qty:8

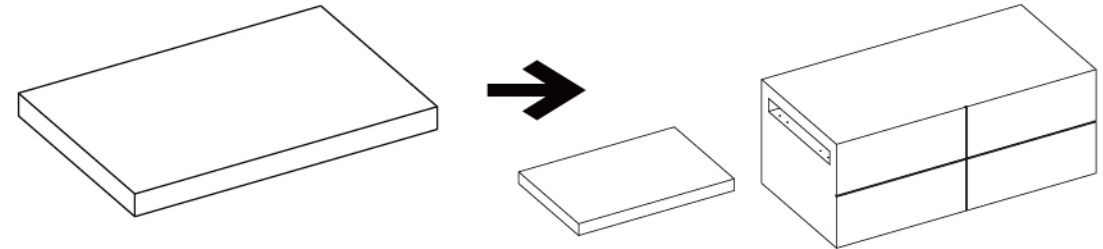
\* Must pre-bore the bottom before mounting \*



## Opening dimension on the side of island cabinet

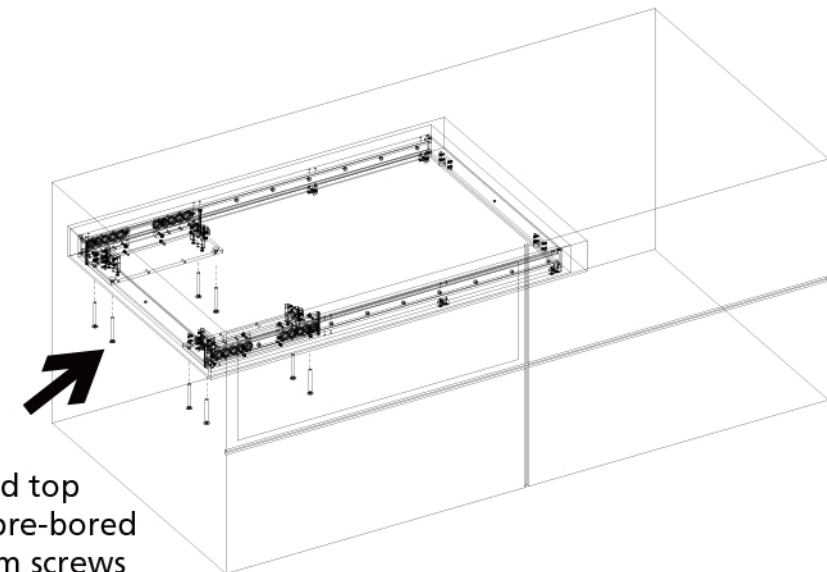


## Install the concealed top



You need to fix the cover to the frame first

Inserting the cover ( with frame ) into the opening



Secure the concealed top assembly from the pre-bored hole with M8 x80mm screws