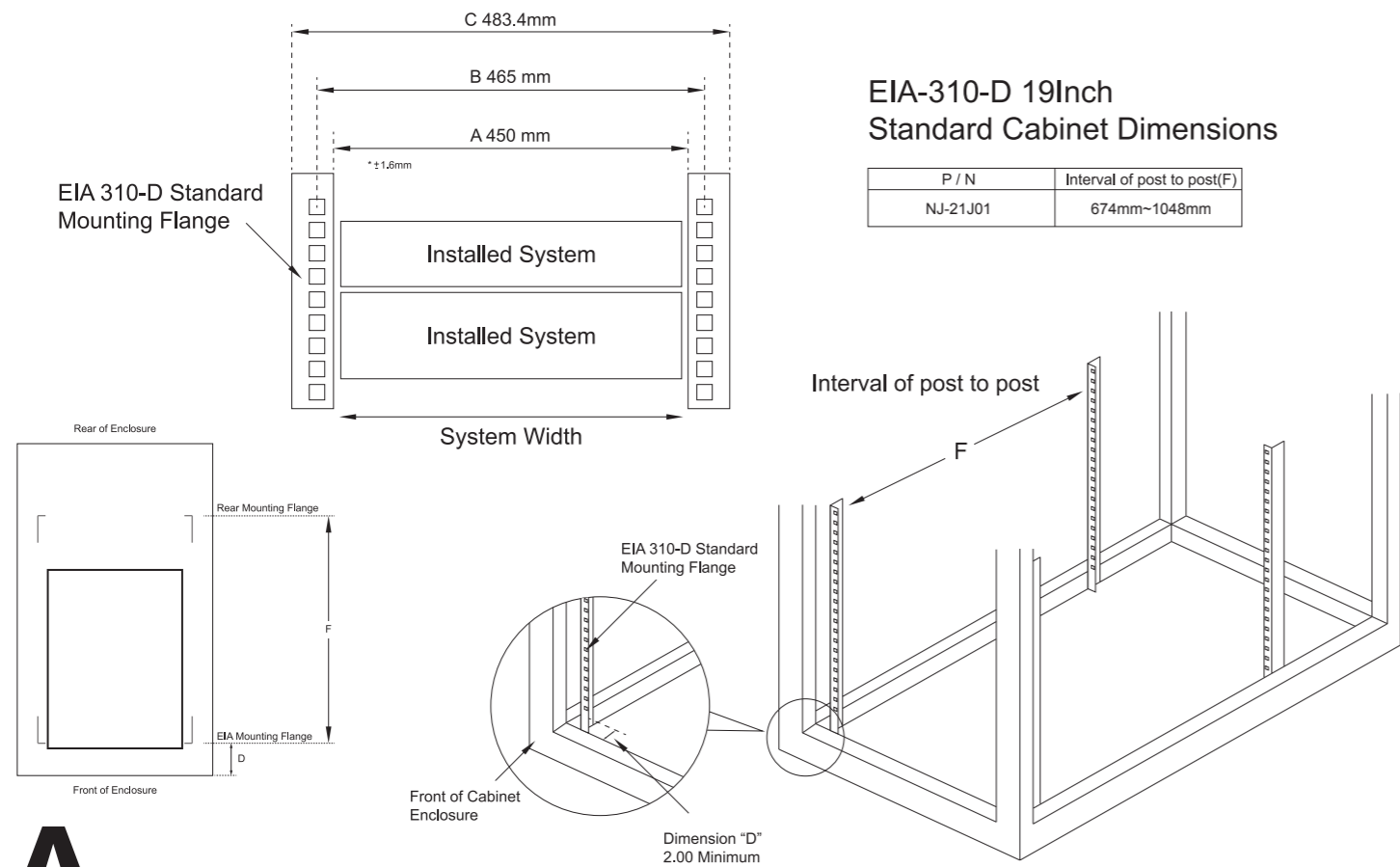
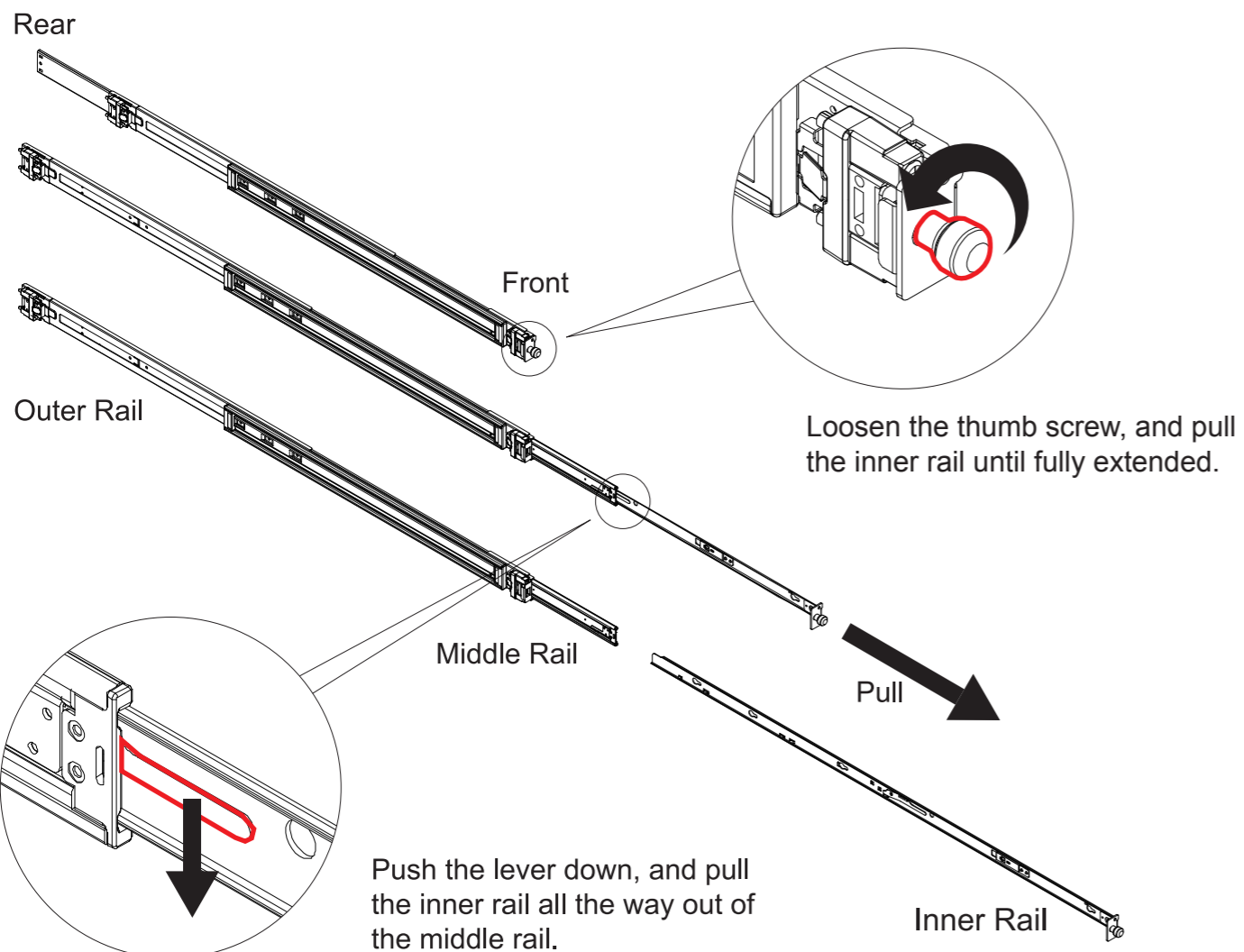


# Quick Installation Guide NJ-21J01



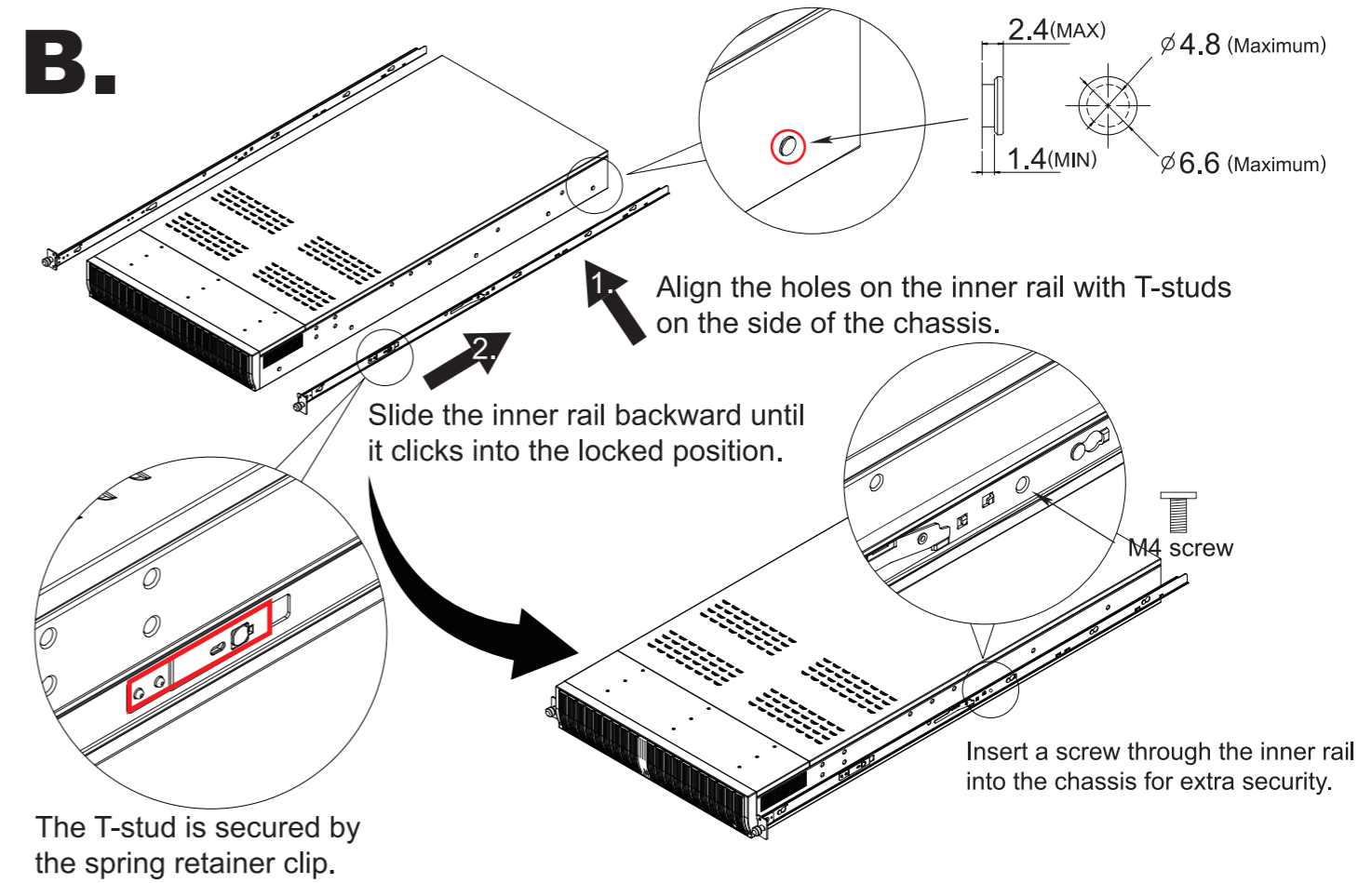
## A.



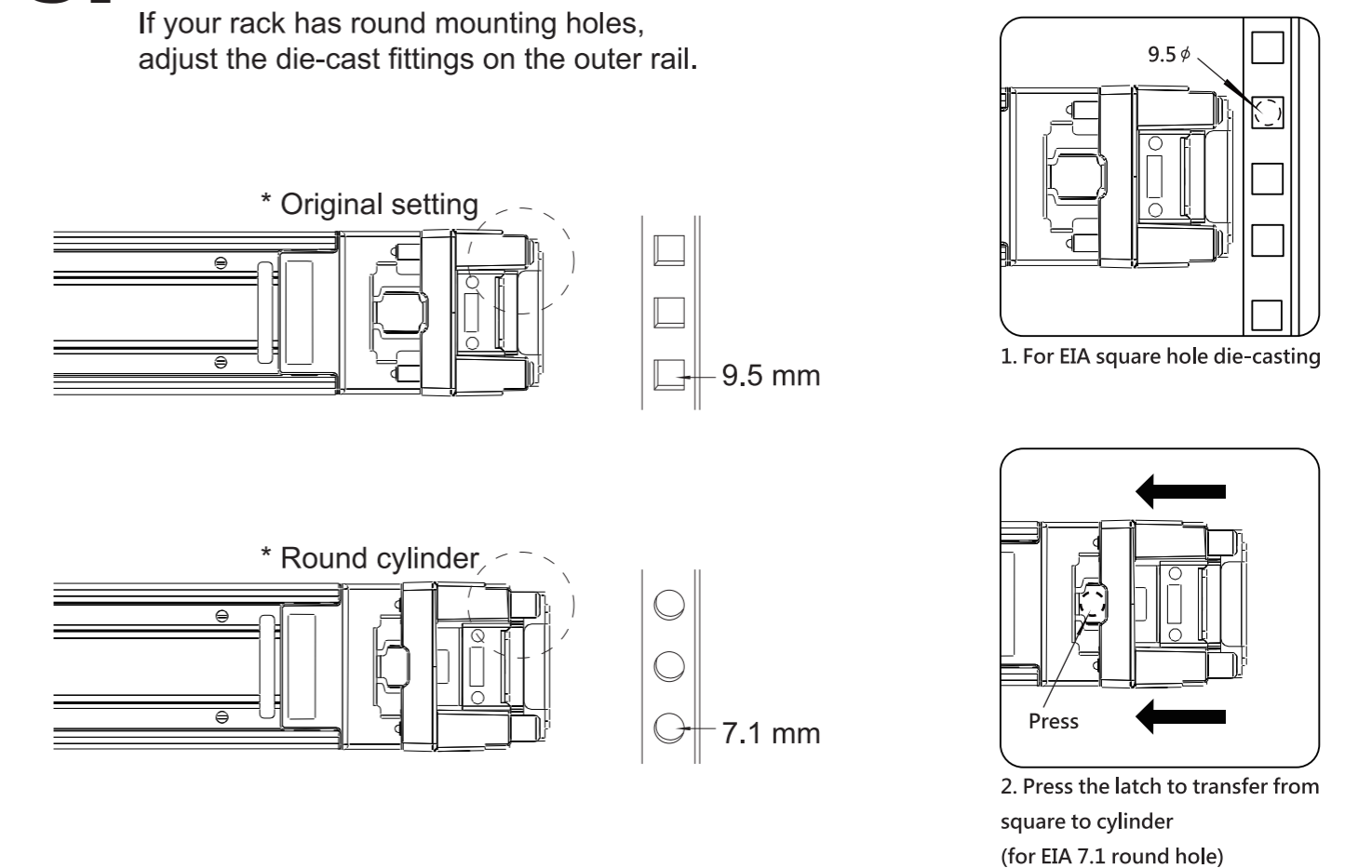
## Notes and Warnings :

1. The left and right rails differ from each other. Attach each to the proper side of the chassis.
2. Keep the ball bearing shuttle locked at the front of the middle rail during installation.
3. A minimum of two people are required for safe installation of the chassis.

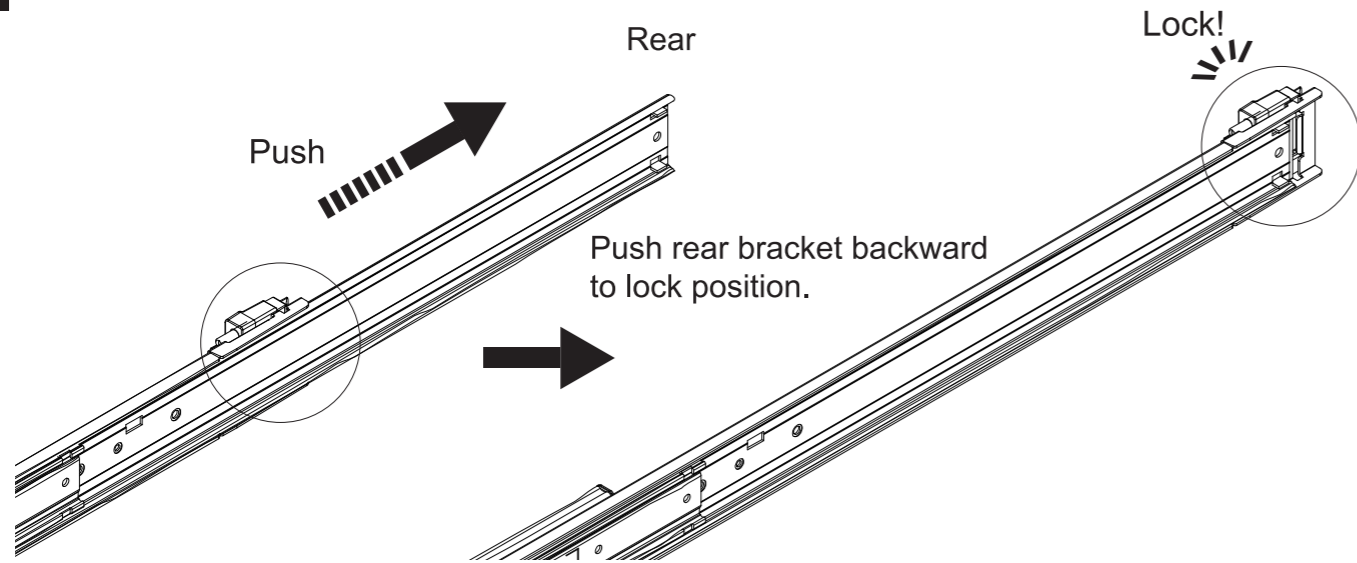
## B.



## C.



**D.**

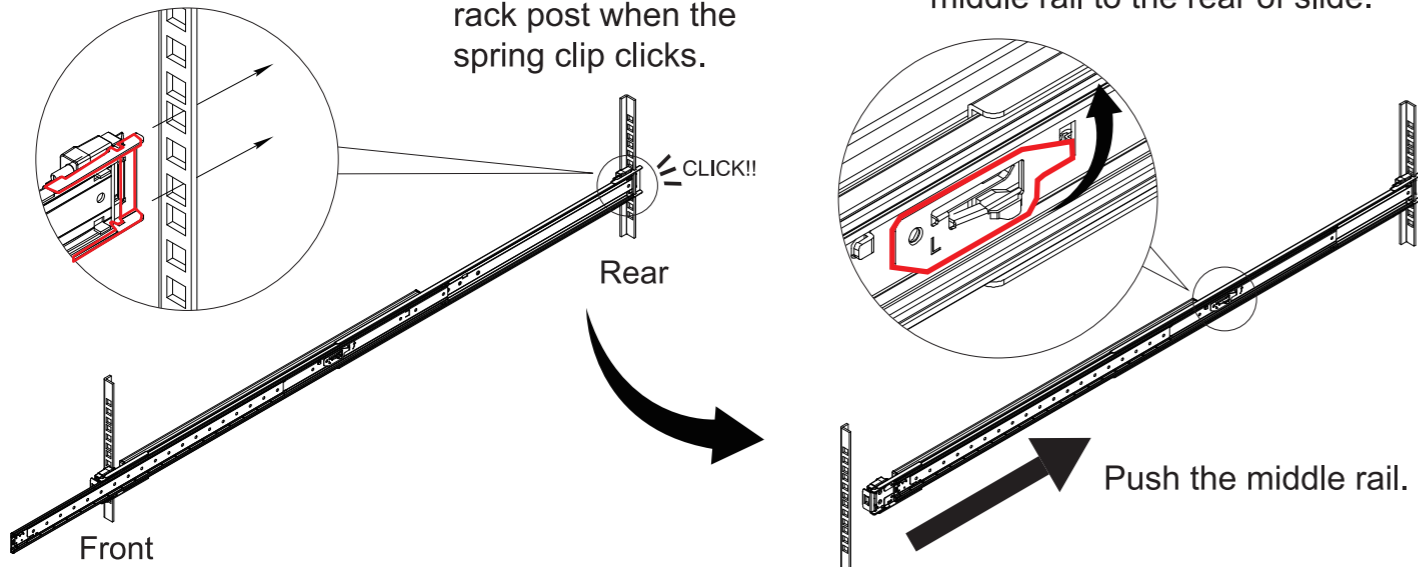


**E.**

Push the pegs on the rear of the outer rail into the rear rack holes.

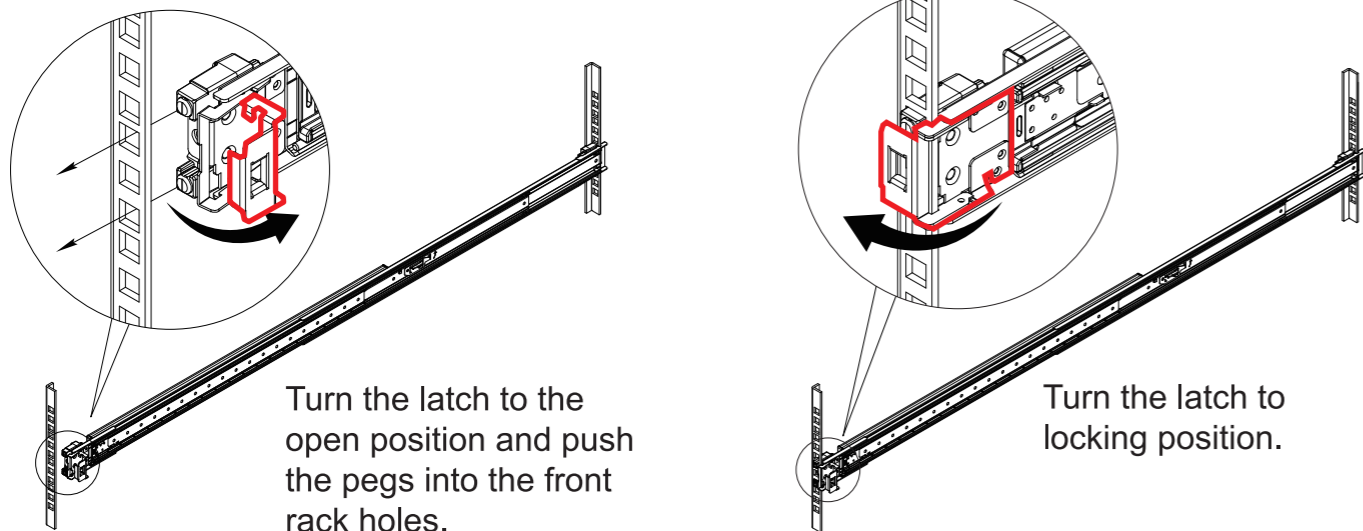
The rail locks to the rack post when the spring clip clicks.

Lift the latch upward and push middle rail to the rear of slide.

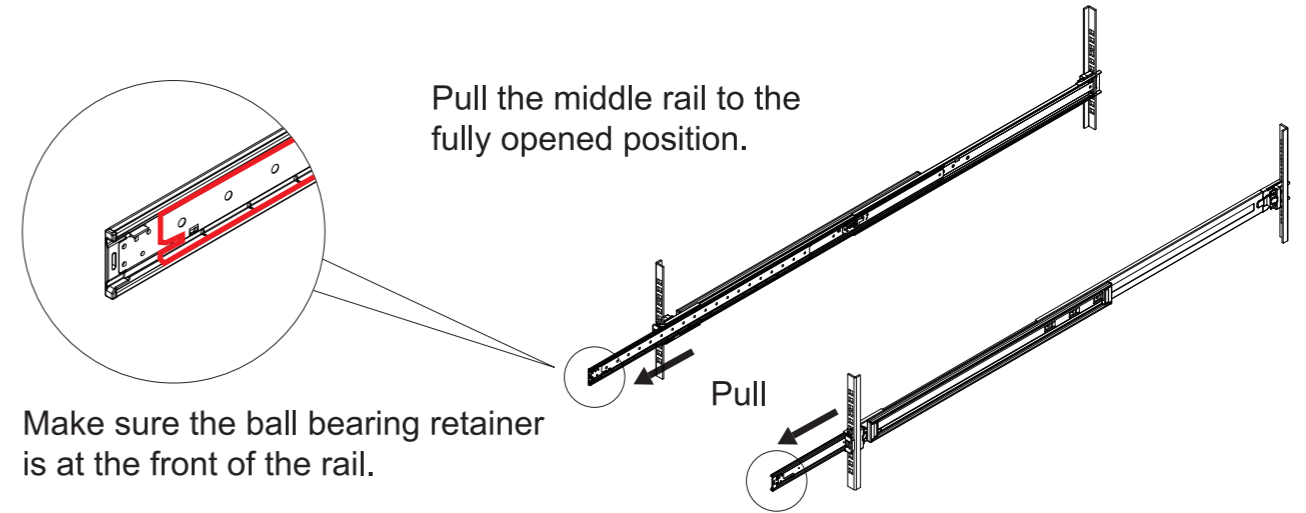


Turn the latch to the open position and push the pegs into the front rack holes.

Turn the latch to locking position.



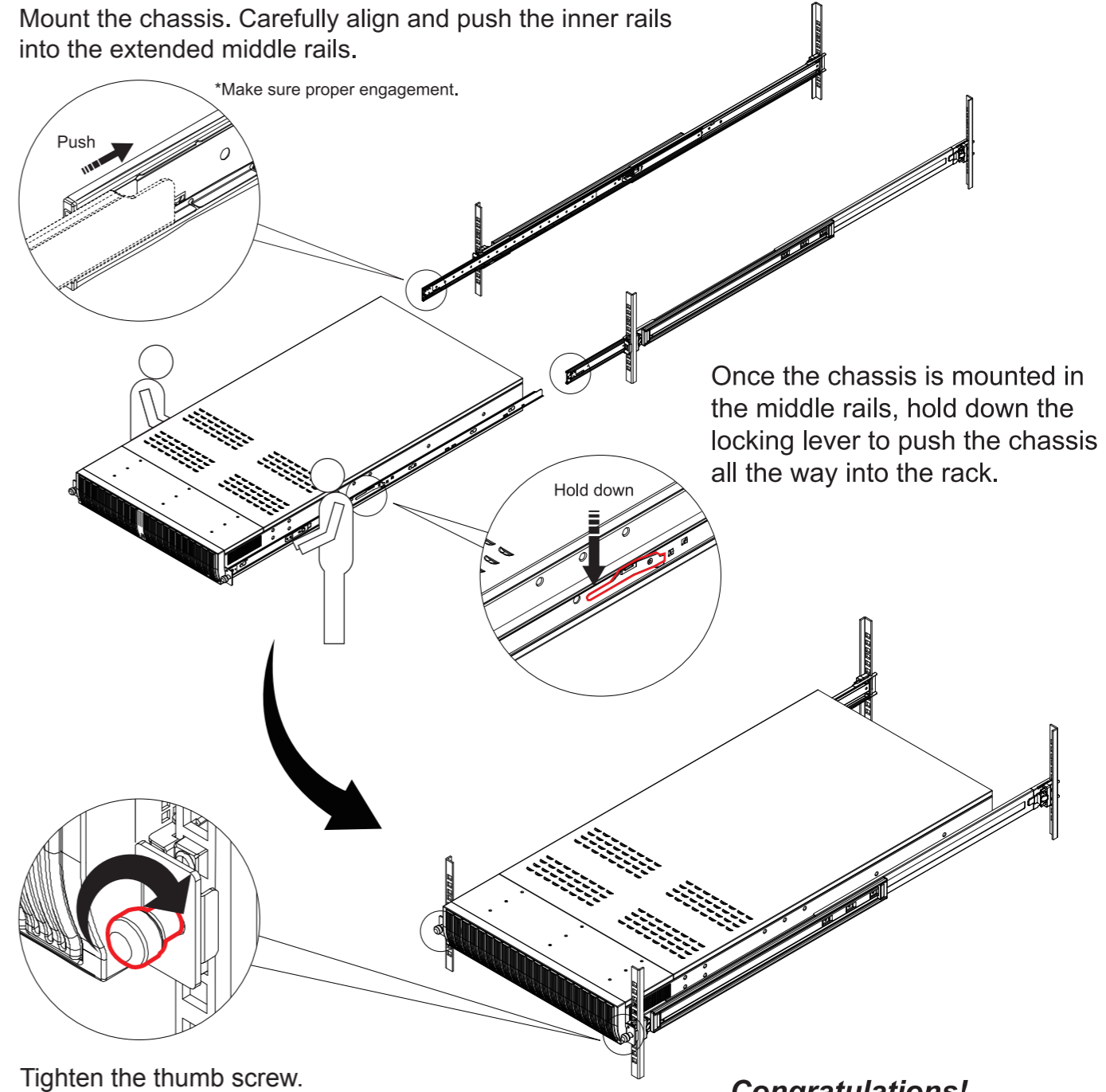
**F.**



**G.**

Mount the chassis. Carefully align and push the inner rails into the extended middle rails.

\*Make sure proper engagement.



**Congratulations!  
Installation is complete.**