

NJ-A5801

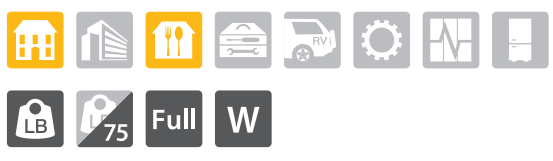
Concealed Slides (Shallow drawer)
75 pound class (35 kgs)

» Features » Drawing » Specification Table » Installation Instructions

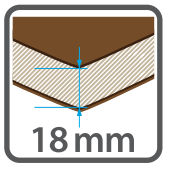
Product Photo



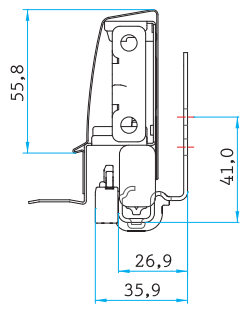
Features



Mounting | Under mount.
Loading | 75 pound class (35 kgs) for 50,000 cycles.
Size | 250 mm to 500 mm at 50 mm increment
Feature | Drawer frame mounting design providing the most added-value to cabinets, 6-way adjustment drawer front adjustment, new dampening mechanism, no hassle of grease leaking or drawer bounce, extremely light and silent movement.
Finish | Zinc plated on slides, powder coating on drawer frame.
Option | Production pack.



Profile



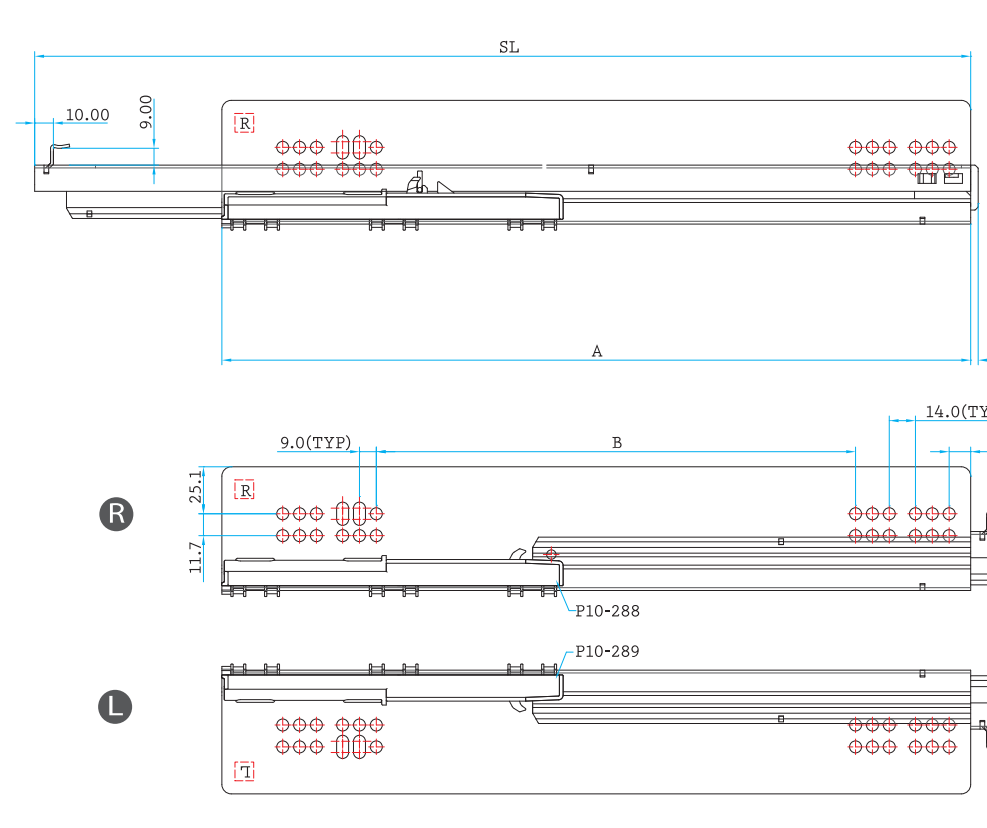
Surface Treatment

- Clear Zinc
- Black Zinc
- Black E. Coating
- White E Coating
- Stainless Steel
- Galvanized Steel
- Drawer Frame Surface Treatment
- Flat White

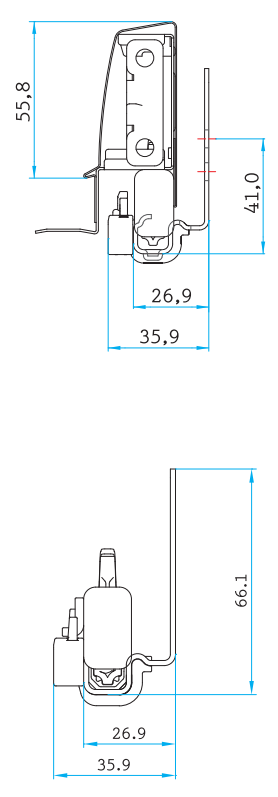
Packaging

- Retail
 - Distribution / 1 pairs per box
- *Box QTY might vary with different length, the info provided here is based on 18" (450 mm)

Drawing



Profile



Specification Table

| SIZE | SL | TL | A | B |
|-------|-------|-------|--------|--------|
| 250mm | 250.0 | 250.0 | 250.00 | 78.00 |
| 300mm | 300.0 | 300.0 | 300.00 | 160.00 |
| 350mm | 350.0 | 350.0 | 350.00 | 160.00 |
| 400mm | 400.0 | 400.0 | 400.00 | 192.00 |
| 450mm | 450.0 | 450.0 | 450.00 | 192.00 |
| 500mm | 500.0 | 500.0 | 500.00 | 256.00 |

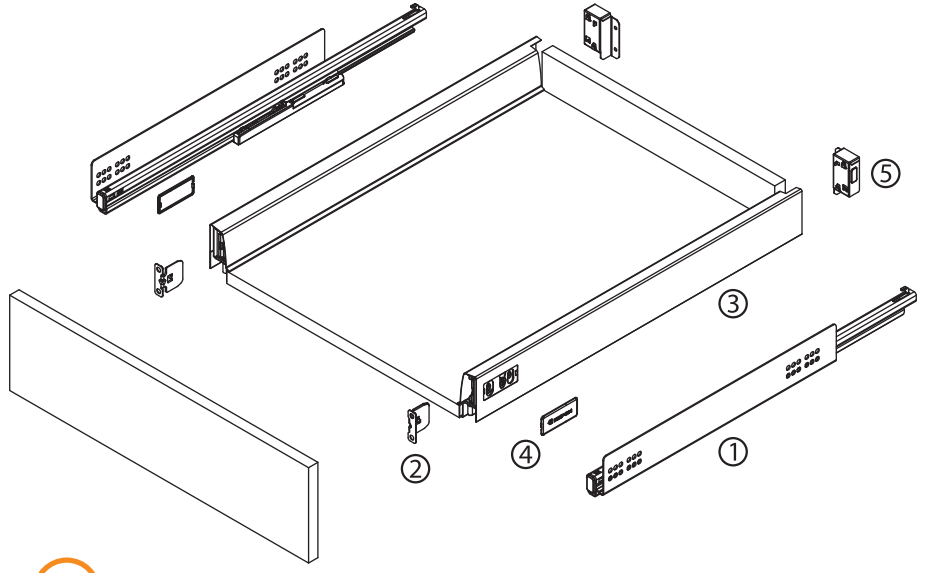
Installation Instructions

Calypso Metal Box Quick Installation Guide of A5801

75 pound (35 kgs) loading, soft closing, full extension concealed slides.

"Calypso Metal Box" — Repon finally launched its very first Metal box product. With years marketing research and design refinement, Repon aimed at the inconvenience from existing brands of similar products, and developed its own metal box featuring streamline looking, quick, simple and highly user friendly installation, effortless movement and high loading capacity with the exclusive patented design. You must not miss this great opportunity to elevate your product value.

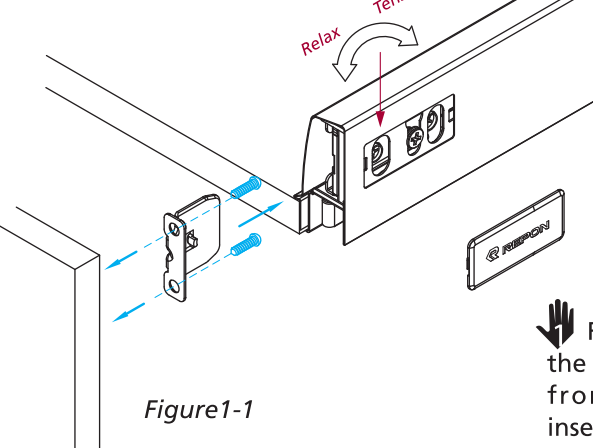
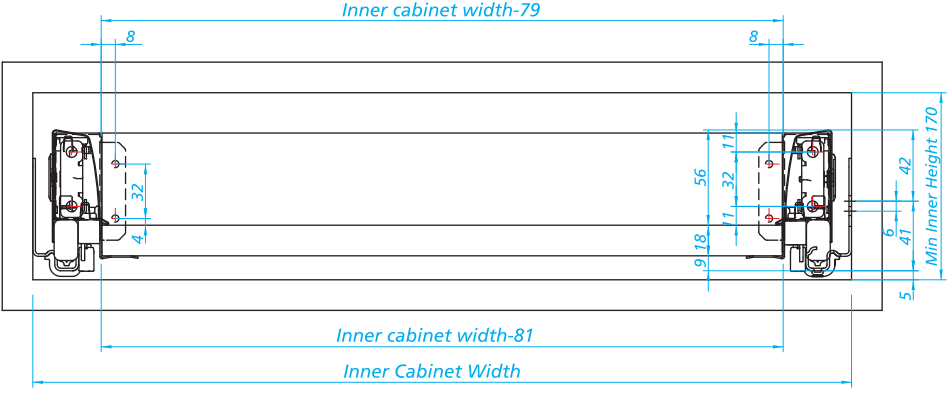
Before Installation



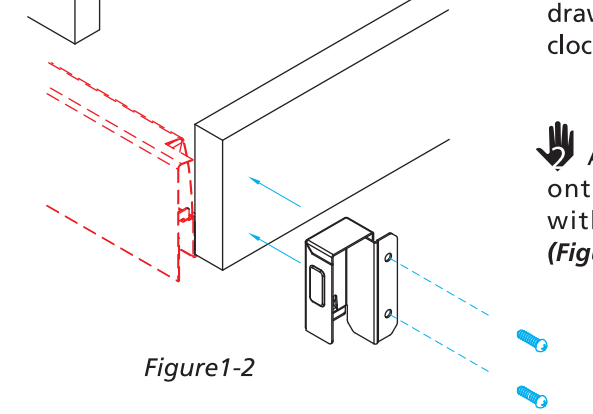
Counter sunk screw is recommended
Please utilize the correct thickness 18 mm for bottom and rear panel.

- Verify if you have all the parts to install Calypso Metal Box -
- ① A8 concealed slides x 1 pair
 - ② drawer front plate x 1 pair
 - ③ metal side panel x 1 set
 - ④ connecting bar x 1 pair
 - ⑤ screw for bar x 2 pieces
 - ⑥ mechanism cover x 1 pair
 - ⑦ rear panel adopter x 1 pair (L&R).

Step 1 > Installation dimension (front view)



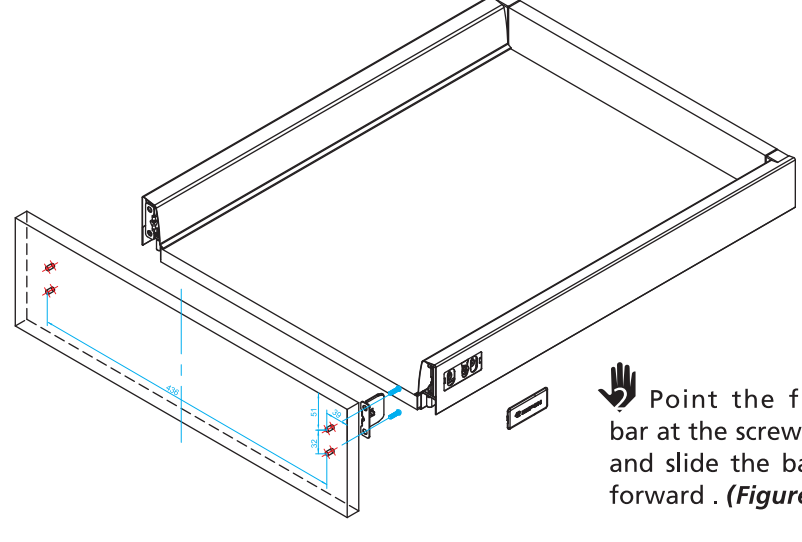
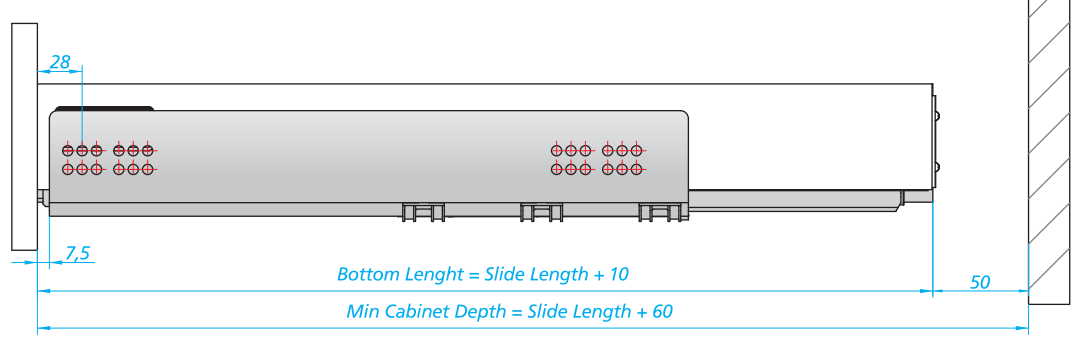
Fix the drawer front plate to the drawer front as shown on front view dimension, then insert it to the side panel. Turn the screw clockwise to screw the drawer front. Loosen it counter-clockwise. (Figure 1-1)



Attach and fix the rear panel onto the rear panel adopter with 2 counter sunk screws. (Figure 1-2)

Step 2 > Installation dimension (side view)

snap the connecting bar onto the edge of adopter at 45 degree as shown on the picture. (Figure 2-1)



Point the front of bar at the screw for bar, and slide the bar collar forward. (Figure 2-2)

Step 3 > Drawer mounting and adjustments

Drawer Dimension
 * Drawer bottom W (inner cabinet width-81 mm) x D (slide length + 35 mm) x T (16 mm)
 * Rear panel W (inner cabinet width-81 mm) x H (120 mm) x T (16 mm)

After drawer is completed, place the drawer 10 cm from the front of slides, and push it all the way back for integration. (Figure 3-1)

Tilting angle can be adjusted by turning the bar.
 Turn the screw on right panel for 5 mm Pside to side adjustment. Clockwise to left, vise versa. (Figure 3-2)

Last screw on side panel is for 3 mm vertical adjustment. (Figure 3-3)

