



NJ-76J05

Super Heavy Duty Slides 400 pound class (180 kgs)

Product Photo

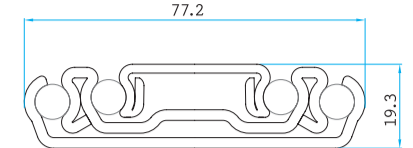


Features



Mounting | Side mount.
Slide Clearance | 3/4" (19.30 mm) plus 1/64"
Height | 3.04" (77.22 mm)
Loading | 400 lbs (180 kgs) based on side mount, and drawer dimension W40"x18", guaranteed 10,000 cycles, double-folded inner and intermediate member.
Size | 14" (350 mm) though 60" (1500 mm) at even increment.
Feature | Extra heavy load, extremely silent movement. Silencing bumpers. Exclusive Lock In & out mechanism, ROHS compliant zinc plating.
Option | None.

Profile



Surface Treatment

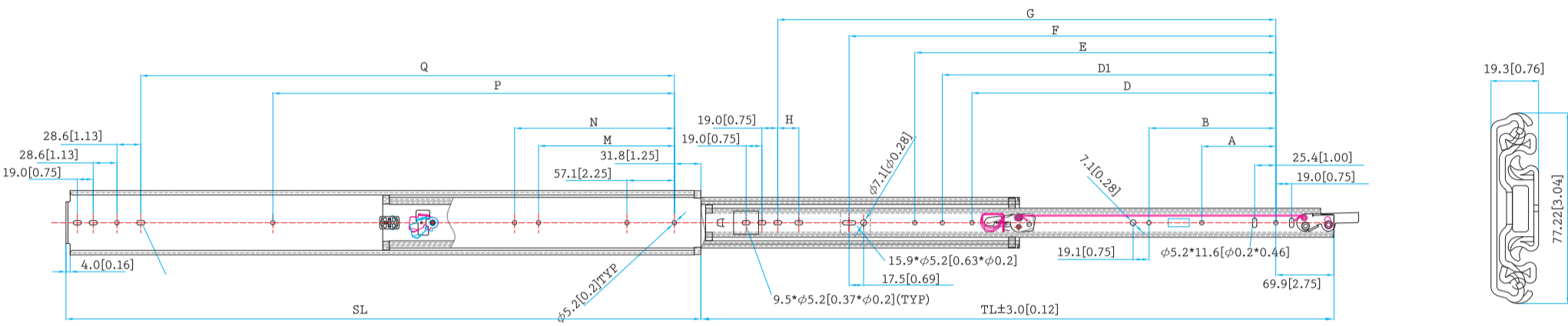
- Clear Zinc
- Black Zinc
- Black E. Coating
- White E Coating
- Stainless Steel
- Galvanized Steel

Packaging

- Retail
 - Distribution / 4 pairs per box
- *Box QTY might vary with different length, the info provided here is based on 18" (450 mm)

Drawing

Profile



Specification Table

SIZE	SL	TL	A	B	C	D	D1	E	F	G	H	M	N	P	Q
14" (350mm)	355.6(14.00)	355.6(14.00)								192.1(7.56)					234.9(9.25)
15" (375mm)	381.0(15.00)	381.0(15.00)	88.9(3.50)							217.5(8.56)					260.3(10.25)
16" (400mm)	406.4(16.00)	406.4(16.00)	88.9(3.50)							242.9(9.56)					285.7(11.25)
18" (450mm)	457.2(18.00)	457.2(18.00)	88.9(3.50)	152.4(6.00)						293.7(11.56)					336.5(13.25)
20" (500mm)	508.0(20.00)	508.0(20.00)	88.9(3.50)	152.4(6.00)						344.5(13.56)					387.3(15.25)
22" (550mm)	558.8(22.00)	558.8(22.00)	88.9(3.50)	152.4(6.00)						395.3(15.56)	25.4(1.00)				438.1(17.25)
24" (600mm)	609.6(24.00)	609.6(24.00)	88.9(3.50)	152.4(6.00)					360.4(14.19)	446.1(17.56)	25.4(1.00)				488.9(19.25)
26" (650mm)	660.4(26.00)	660.4(26.00)	88.9(3.50)	152.4(6.00)					411.2(16.19)	496.9(19.56)	25.4(1.00)				539.7(21.25)
28" (700mm)	711.2(28.00)	711.2(28.00)	88.9(3.50)	152.4(6.00)					462.0(18.18)	547.7(21.56)	25.4(1.00)				590.5(23.25)
30" (750mm)	762.0(30.00)	762.0(30.00)	88.9(3.50)	152.4(6.00)					512.8(20.19)	598.5(23.56)	25.4(1.00)	215.8(8.50)		482.5(19.00)	641.3(25.25)
32" (800mm)	812.8(32.00)	812.8(32.00)	88.9(3.50)	152.4(6.00)	330.2(13.00)				563.6(22.19)	649.3(25.56)	25.4(1.00)	215.8(8.50)	374.6(14.75)	533.4(21.00)	692.1(27.25)
34" (850mm)	863.6(34.00)	863.6(34.00)	88.9(3.50)	152.4(6.00)	330.2(13.00)				614.4(24.19)	700.1(27.56)	25.4(1.00)	215.8(8.50)	400.0(15.75)	584.2(23.00)	742.9(29.25)
36" (900mm)	914.4(36.00)	914.4(36.00)	88.9(3.50)	152.4(6.00)	330.2(13.00)				665.2(26.19)	750.9(29.56)	25.4(1.00)	215.8(8.50)	425.4(16.75)	635.0(25.00)	793.7(31.25)
38" (950mm)	965.2(38.00)	965.2(38.00)	88.9(3.50)	152.4(6.00)	330.2(13.00)				716.0(28.19)	801.7(31.56)	25.4(1.00)	215.8(8.50)	450.8(17.75)	685.7(27.00)	844.5(33.25)
40" (1000mm)	1016.0(40.00)	1016.0(40.00)	88.9(3.50)	152.4(6.00)	330.2(13.00)	584.2(23.00)			766.8(30.19)	852.5(33.56)	25.4(1.00)	215.8(8.50)	476.2(18.75)	736.6(29.00)	895.3(35.25)
42" (1050mm)	1066.8(42.00)	1066.8(42.00)	88.9(3.50)	152.4(6.00)	330.2(13.00)	635.0(25.00)	685.8(27.00)		817.6(32.19)	903.3(35.56)	25.4(1.00)	215.8(8.50)	501.6(19.75)	787.4(31.00)	946.1(37.25)
44" (1100mm)	1117.6(44.00)	1117.6(44.00)	88.9(3.50)	152.4(6.00)	330.2(13.00)	685.8(27.00)		787.4(31.00)	868.4(34.19)	954.1(37.56)	25.4(1.00)	215.8(8.50)	527.0(20.75)	838.2(33.00)	996.9(39.25)
46" (1150mm)	1168.4(46.00)	1168.4(46.00)	88.9(3.50)	152.4(6.00)	330.2(13.00)	685.8(27.00)		787.4(31.00)	919.2(36.19)	1004.9(39.56)	25.4(1.00)	215.8(8.50)	552.0(21.75)	889.0(35.00)	1047.7(41.25)
48" (1200mm)	1219.2(48.00)	1219.2(48.00)	88.9(3.50)	152.4(6.00)	330.2(13.00)	685.8(27.00)	725.6(28.57)	787.4(31.00)	970.0(38.19)	1055.7(41.56)	25.4(1.00)	215.8(8.50)	577.0(22.75)	939.7(37.00)	1098.5(43.25)
50" (1250mm)	1270.0(50.00)	1270.0(50.00)	88.9(3.50)	152.4(6.00)	330.2(13.00)	685.8(27.00)		787.4(31.00)	1020.8(40.19)	1106.5(43.56)	25.4(1.00)	215.8(8.50)	602.0(23.75)	990.7(39.00)	1149.3(45.25)
52" (1300mm)	1320.8(52.00)	1320.8(52.00)	88.9(3.50)	152.4(6.00)	330.2(13.00)	736.6(29.00)		787.4(31.00)	1071.6(42.19)	1157.3(45.56)	25.4(1.00)	215.8(8.50)	627.0(24.75)	1041.7(41.00)	1200.1(47.25)
54" (1350mm)	1371.6(54.00)	1371.6(54.00)	88.9(3.50)	152.4(6.00)	330.2(13.00)	736.6(29.00)		787.4(31.00)	1122.4(44.19)	1208.1(47.56)	25.4(1.00)	215.8(8.50)	652.0(25.75)	1093.7(43.00)	1250.9(49.25)
56" (1400mm)	1422.4(56.00)	1422.4(56.00)	88.9(3.50)	152.4(6.00)	330.2(13.00)	736.6(29.00)		787.4(31.00)	1173.2(46.19)	1258.9(49.56)	25.4(1.00)	215.8(8.50)	677.0(26.75)	1145.7(45.00)	1301.7(51.25)
58" (1450mm)	1473.2(58.00)	1473.2(58.00)	88.9(3.50)	152.4(6.00)	330.2(13.00)	736.6(29.00)		787.4(31.00)	1224.0(48.19)	1309.7(51.56)	25.4(1.00)	215.8(8.50)	702.0(27.75)	1197.7(47.00)	1352.5(53.25)
60" (1500mm)	1524.0(60.00)	1524.0(60.00)	88.9(3.50)	152.4(6.00)	330.2(13.00)	584.2(23.00)			1274.8(50.19)	1360.5(53.56)	25.4(1.00)	215.8(8.50)	727.0(28.75)	1249.7(49.00)	1403.3(55.25)

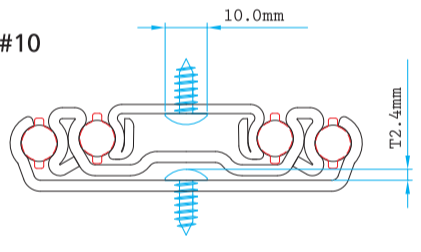
Installation Instructions

QUICK INSTALLATION GUIDE OF NJ-76J05

Super Heavy Duty Slide, W / Lock in & out, 400 pound (180 kgs) loading

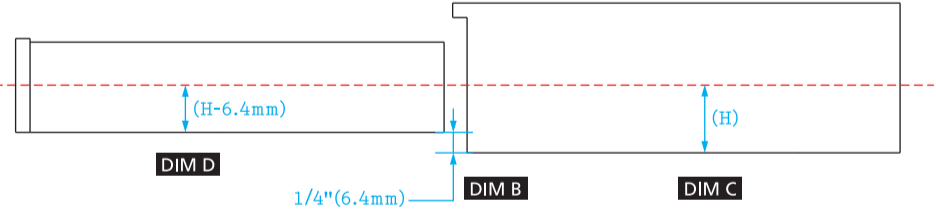
READ THE QUICK INSTALLATION GUIDE FIRST BEFORE INSTALLATION

- A. Recommended screws for fixing – #10 or M5 pan head screws, at least 8 screws for each slide.
- B. Slides are handed. (L & R)



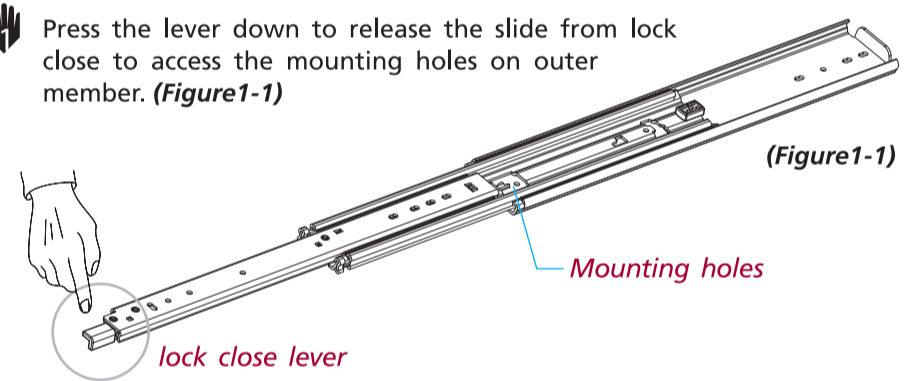
Technical Specifications for drawer or pull-out shelf

- Drawer or pulling-out shelf side clearance must be at least 19.30 mm (DIM A)
- Bottom of drawer or pulling-out shelf bottom shall have 6.4 mm or 1/4" minimum clearance from the bottom of Cabinet (DIM B)
- Mark a center line with proper height (H) from the bottom of cabinet (DIM C)
- Mark a center line with proper height (H-6.4 mm) from the bottom of drawer (DIM D)

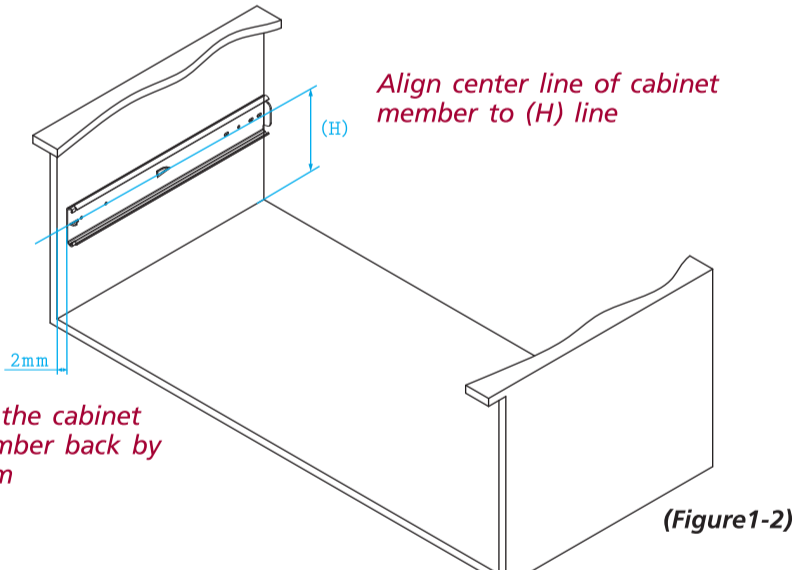


Step 1 > Install cabinet member to cabinet

- Press the lever down to release the slide from lock close to access the mounting holes on outer member. (Figure1-1)



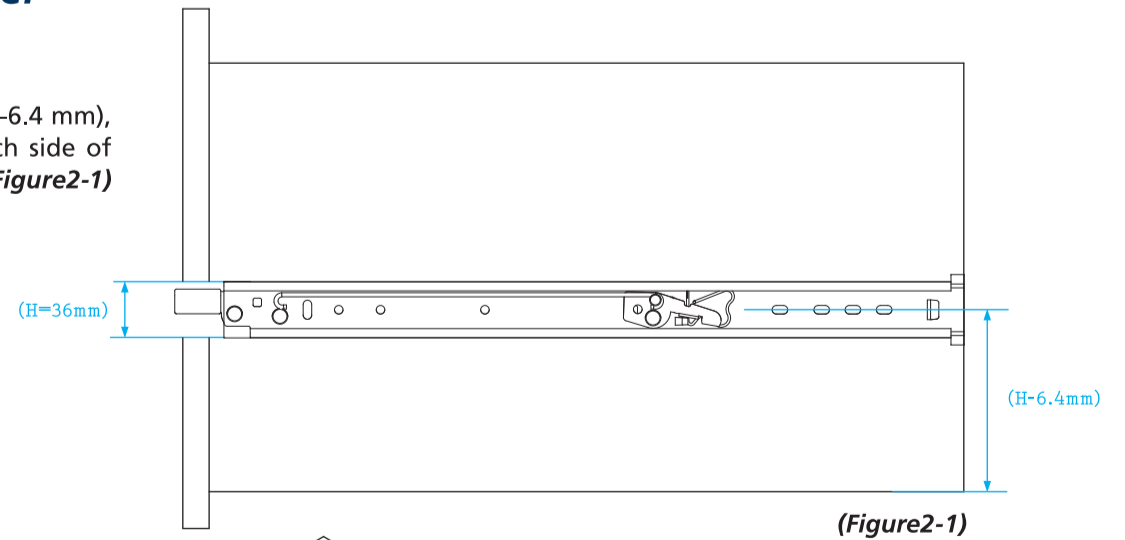
- Align center line of cabinet member to pre-determined center line (H), and place slide 2 mm backward from cabinet opening. (Figure1-2)



- Fix the slides through the slots and leave the screws loose for adjustment. Move the slides back and forth, and make sure no screw is bound.

Step 2 > Install drawer member to drawer

- Align center line of drawer member to the pre determined line (H-6.4 mm), make a 36 mm (H) x 20 mm + side panel thickness notch on each side of front to access the lock close lever as shown on fig 2-1 & 2-2. (Figure2-1)
- Fix the drawer member through vertical slots for vertical adjustment. Leave the screw loose for final adjustment.



Final Adjustment.....

Try to open and close the drawer to see if slides function correctly. If so, install more screws through round holes for better loading performance as necessary. If not, please make adjustment till slides function correctly. (Figure2-2)

*This instruction is for reference only. It may vary due to different applications.

