



# NJ-13002

## Server Slides (Columbus)

50 pound class (22 kgs)



» Features » Drawing » Specification Table » Installation Instructions

### Product Photo



### Features



Mounting | Side mount.

Slide Clearance | 9.11 mm (including brackets), Maximum chassis with can be 434 mm with bracket being mounted behind the rail.

Height | 27 mm

Loading | 50 pound (22 kgs) class for 300 cycles in 26" (650 mm) long.

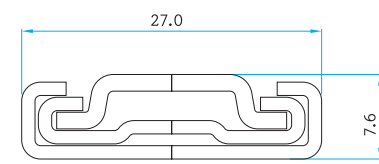
Size | 14" (350 mm) through 30" (750 mm) in 2" (50 mm) increment.

Feature | Extremely thin profile to fit the maximum chassis width 434 mm. Lock open design, key holes for shoulder rivet.

Finish | ROHS compliant zinc plated.

Option | Tool-less baskets.

### Profile



### Surface Treatment

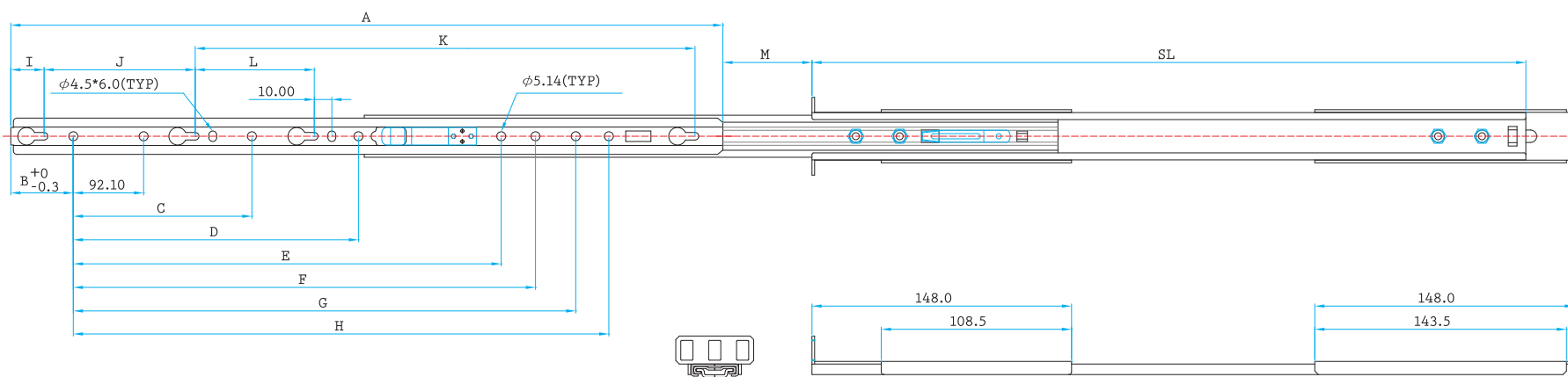
- Clear Zinc
- Black E. Coating
- Stainless Steel
- Black Zinc
- White E Coating
- Galvanized Steel

### Packaging

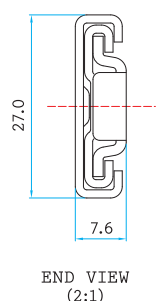
- Retail
- Distribution / 12 pairs per box

\*Box QTY might vary with different length, the info provided here is based on 18" (450 mm)

### Drawing



### Profile



### Specification Table

SIZE	SL	A	B	C	D	E	F	G	H	I	J	K	L	N	M
14" (350mm)	356.00	355.00	57.91		276.30										262.45
16" (400mm)	407.00	406.00	89.66		276.30										262.45
18" (450mm)	457.00	456.00	89.66		276.30									312.45	52.0
20" (500mm)	508.00	507.00	89.66	184.20	276.30	368.40								348.45	52.0
22" (550mm)	559.00	558.00	89.66	184.20		368.40								374.45	52.0
24" (600mm)	610.00	609.00	89.66	184.20		368.40	460.50							400.45	52.0
26" (650mm)	660.00	659.00	57.91	184.20	276.30		460.50			19.00	163.20	460.30	272.00	425.45	52.0
28" (700mm)	711.00	710.00	57.91	184.20	276.30		552.60			19.00	163.20	460.30	272.00	434.45	52.0
30" (750mm)	762.00	761.00	57.91	184.20	276.30		460.50	552.60	644.70					477.45	52.0

### Installation Instructions

## QUICK INSTALLATION GUIDE OF NJ-13002

Single Extension Slide, 50 pound (22 kgs) loading



READ THE QUICK INSTALLATION GUIDE FIRST BEFORE INSTALLATION

A. Columbus 1U server retail packaging includes – one pair of slides (NJ13002), 2 front bracket (W-239-B-1), 2 rear bracket (W-231-B-1), screw kit (S-060), 4 adjusting plates and installation instruction.

Screw kit (S-060) includes –  
a. M5\* 8,H 2.5 x 10 pcs  
b. M5\*15, H 2.5 x 2 pcs  
c. M4\*6, H 2.5 x 16 pcs  
d. M4\*4, H2 x 10 pcs ( black )  
e. #8-32\*5, H2 x 10 pcs  
f. Washer 4.2 \* 11 \* 0.8 x 10 pcs  
g. Nut M4 \* 0.7 x 8 pcs

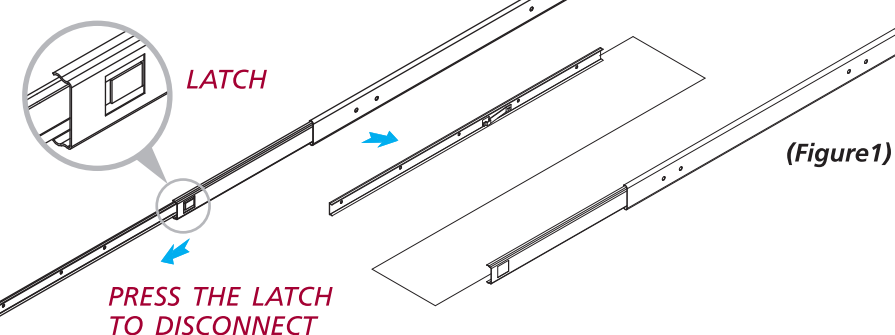
### Technical Specifications for serve slides

○ NJ13002 can work with chassis width from 430 mm to 434 mm, depending on the mounting ( front of rail or behind rail ) refer to Step 4.

### Step 1 > Install cabinet member to cabinet

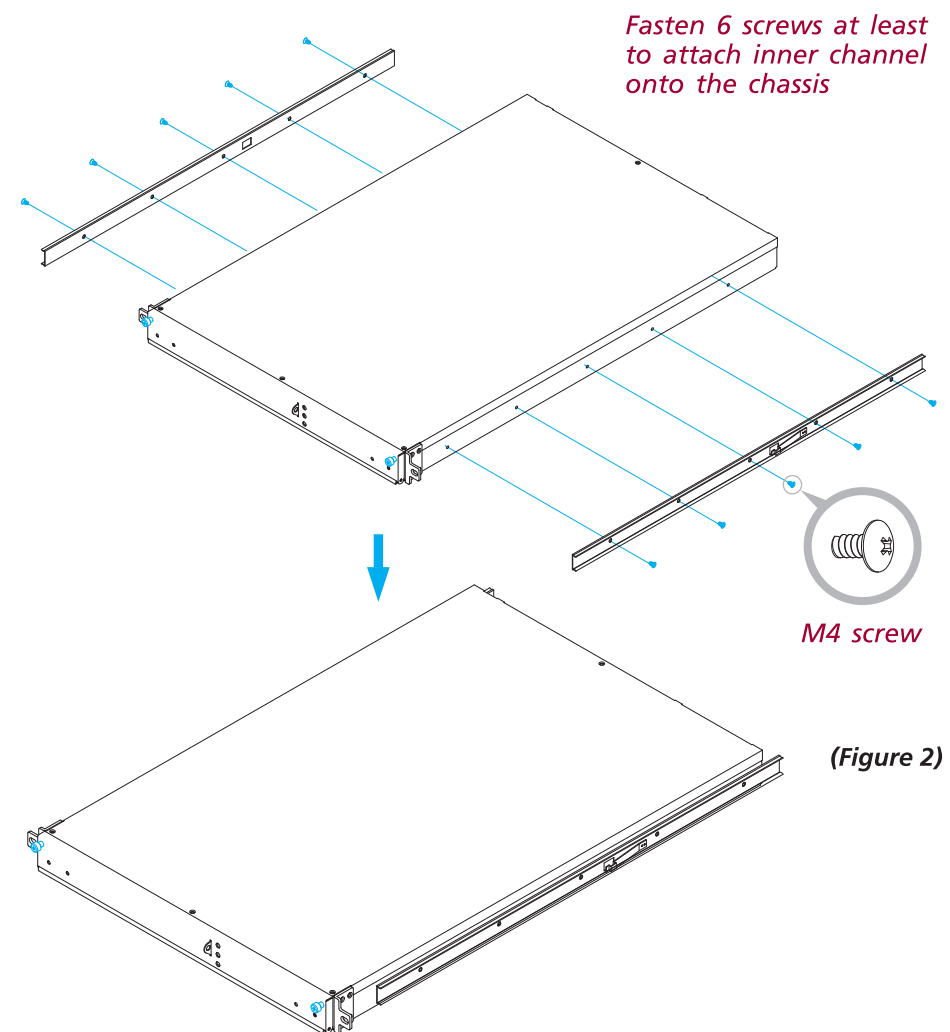
Press the latch to remove the inner ( smallest ) member from the outer ( the biggest ) member as shown on fig 1. (Figure 1)

PULL INNER CHANNEL OUT



### Step 2 > Mount inner member to the chassis

Mount inner member to the chassis as shown on fig 3 with at least 3 screws (M4 ) on each side. (Figure 2)



Fasten 6 screws at least to attach inner channel onto the chassis

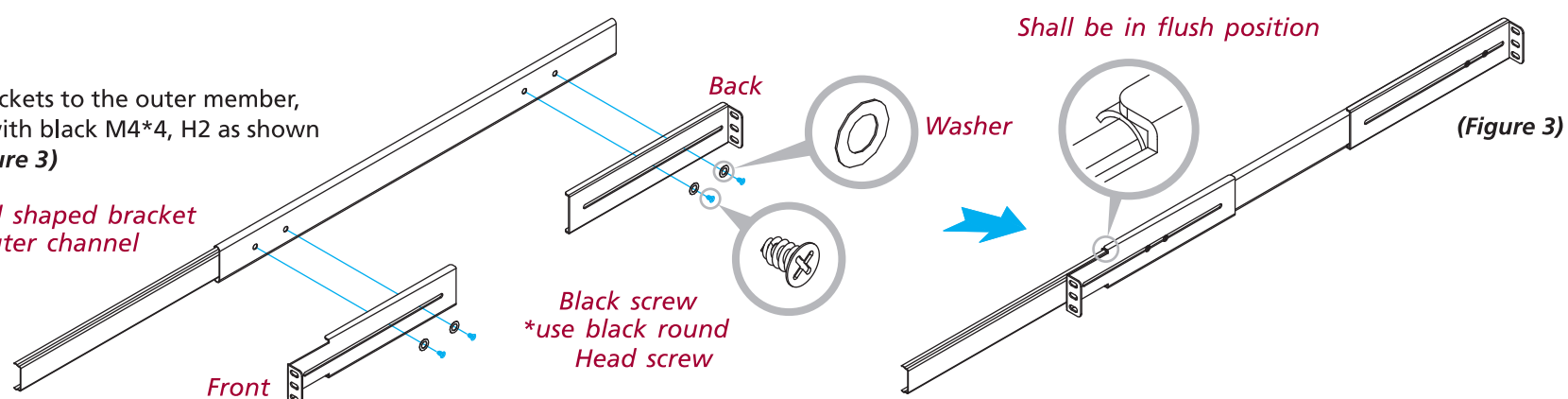
M4 screw

(Figure 2)

### Step 3 > Mount brackets to the outer member

Mount the brackets to the outer member, and fasten it with black M4\*4, H2 as shown on fig 3. (Figure 3)

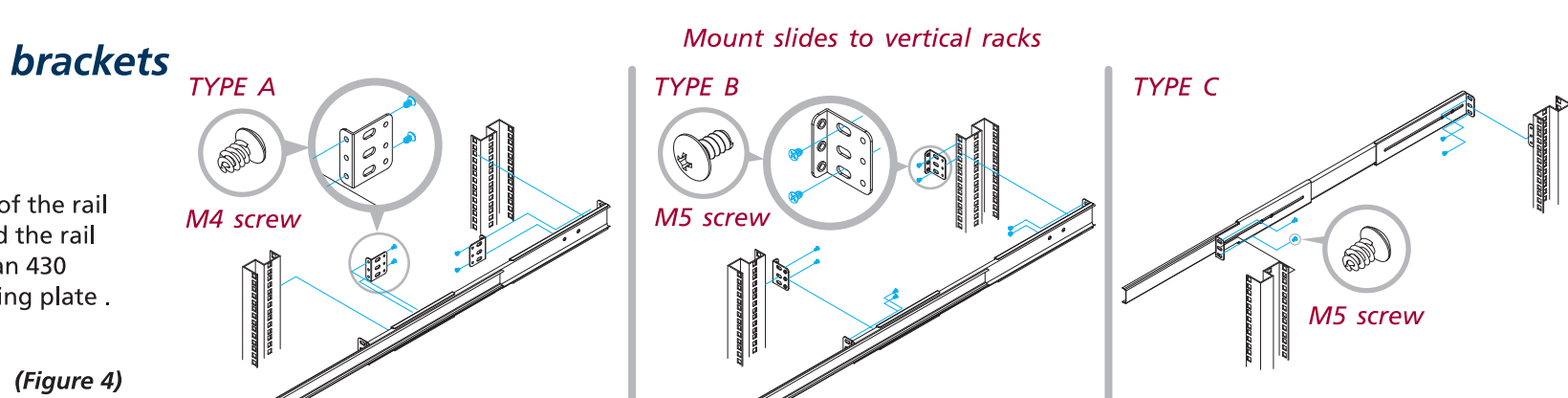
Mount the I shaped bracket onto the outer channel



Black screw \*use black round Head screw

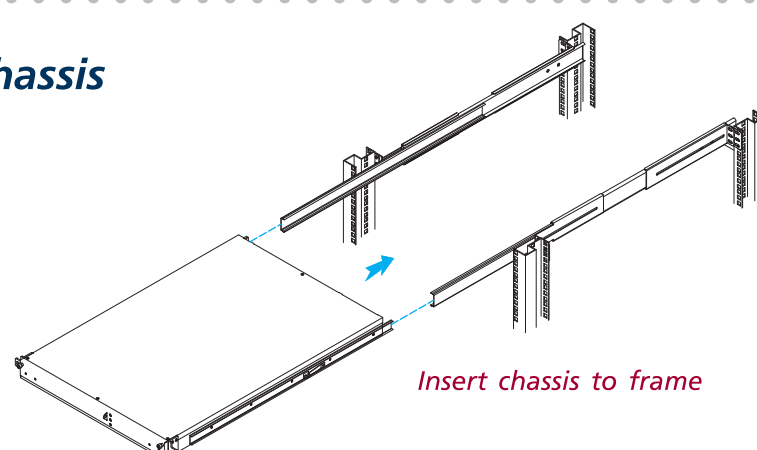
### Step 4 > Attach brackets to the racks

Mounting type A. front of the rail  
Mounting type B. behind the rail  
For chassis width less than 430 mm, you may use adjusting plate. (Figure 4)



### Step 5 > Insert the chassis into outer member

As shown on fig 8. This instruction is for reference only. It may vary due to different applications.



Insert chassis to frame

NAN JUEN INTERNATIONAL CO., LTD.  
No. 2, Dazhi Rd., Taoyuan Dist., Taoyuan City 330, Taiwan (R.O.C.)  
T + 886 - 3 - 3642777(Rep.) F + 886 - 3 - 3762777  
www.repongroupp.com

