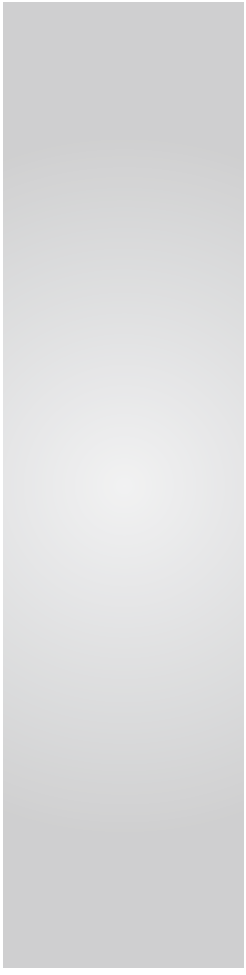




NJ-A8K01

WIRE UNDERMOUNT SLIDES
75 pound class (35 kgs)

Product Photo

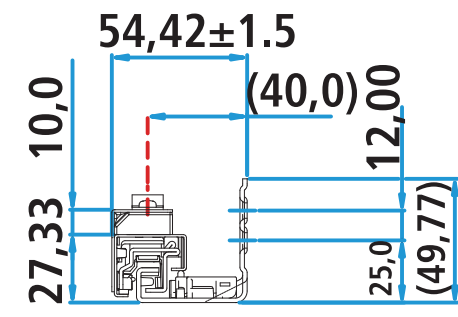


Features



Mounting | Screw.
Loading | 75 pound class (35 kgs) for 30,000 cycles.
Size | 300mm, 350mm, 400mm, 450mm, 500mm, 550mm, 600mm.
Feature | Built-in basket mounting cover, extremely light and silent movement.
Finish | Galvanized steel.
Option | None.

Profile



Surface Treatment

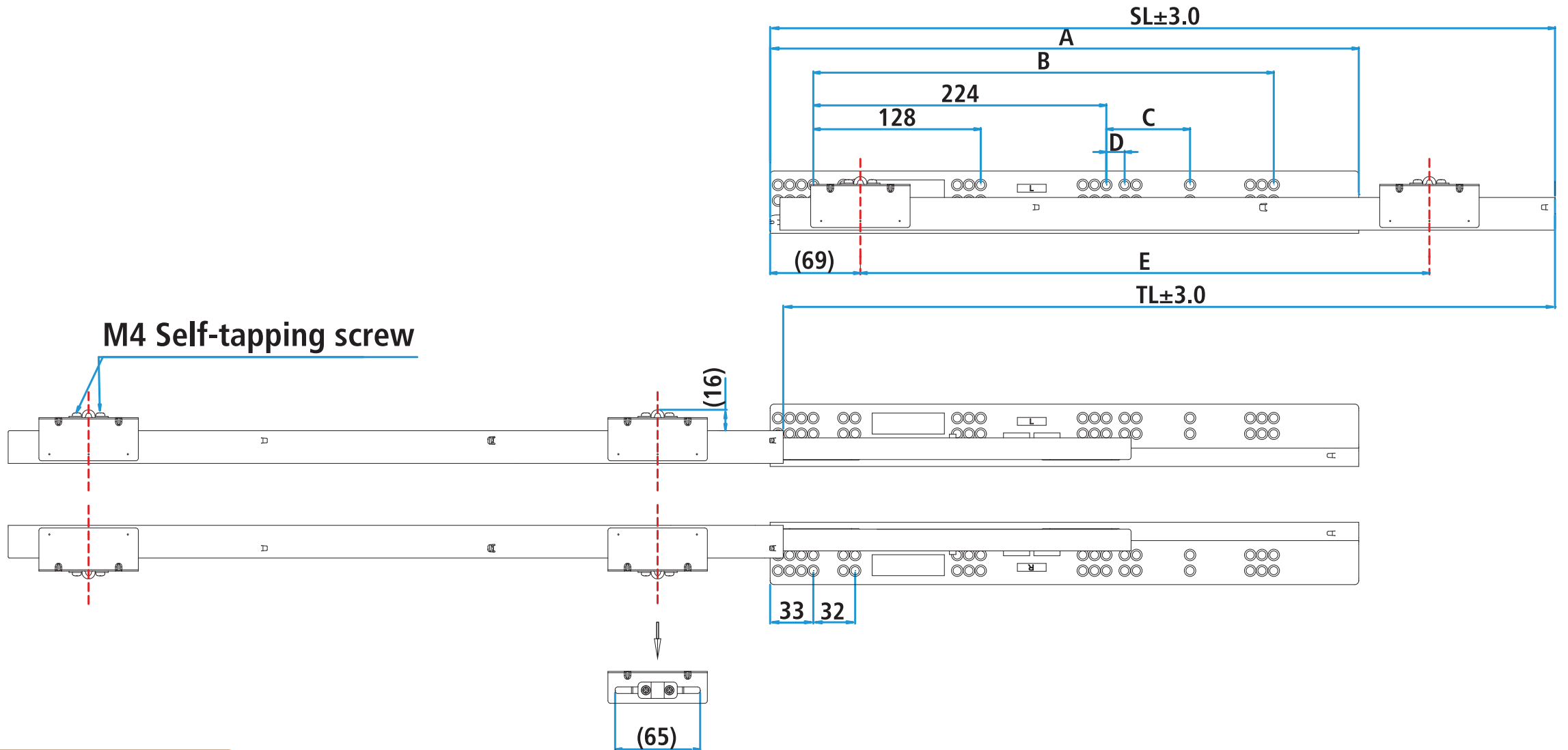
- Clear Zinc
- Black Zinc
- Black E. Coating
- White E Coating
- Stainless Steel
- Galvanized Steel

Packaging

- Retail
- Distribution / 6 pairs per box

*Box QTY might vary with different length, the info provided here is based on 18" (450 mm)

Drawing



Specification Table

SIZE	TL	A	B	C	D	E
300mm	290.00	300.00				(135)
350mm	342.80	300.00				(185)
400mm	390.00	350.00	288.00			(235)
450mm	440.00	350.00	288.00			(285)
500mm	490.00	400.00	352.00	64.00	14.00	(335)
550mm	540.00	400.00	352.00	64.00	14.00	(385)
600mm	590.00	450.00	352.00	64.00	14.00	(435)

Installation Instructions

Wire Basket Under-mount slides Quick Installation Guide of NJ-A8K01

75 pound (35kgs) loading, wire basket under-mount, concealed slides.

Wire basket slides are developed to place basket on top of the slides. Please note, the slides only works for bottom wire diameter 3mm or less. There are 2 slotted on each left and right slides.

One each bracket, there is a rubber clamp with 2 screws and a plastic base underneath. To fasten the basket onto the slides, you need to unscrew the clamp first.

Then place bottom wire of the basket on top of the bracket, and place clamp on top of the bottom wire, and secure it with screws. Repeat the same on the other 3 brackets.

