

NJ_A5K03 Installation

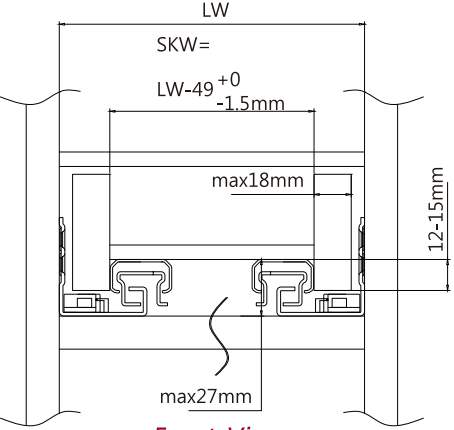
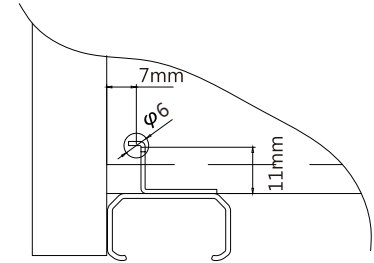
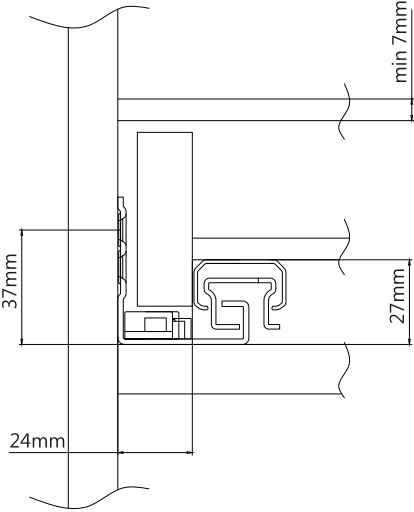
18 mm (3/4 inch) / drawer side / 35 k9s loading (75 Pound)

Installation Instructions

Step 1 > Drawer construction

✎ NJA5K03 is built for 18 mm (3/4 inch) drawer side only. Thinner or thicker drawer side might cause slide to malfunction. **(Figure1)**

✎ Please construct the drawer as per the following dimension.



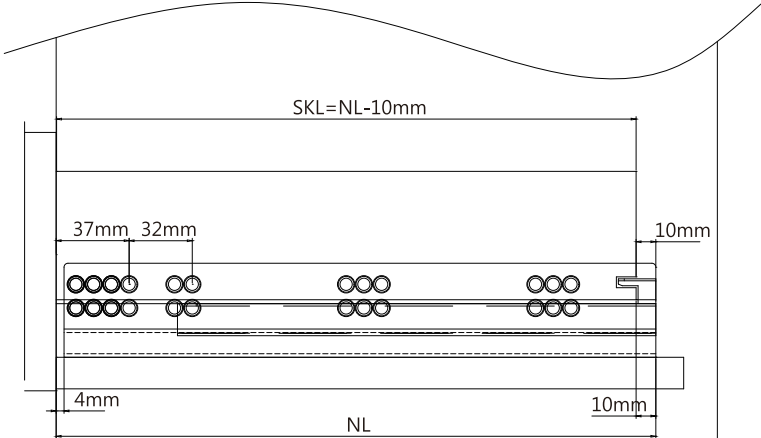
Front View

Rear View

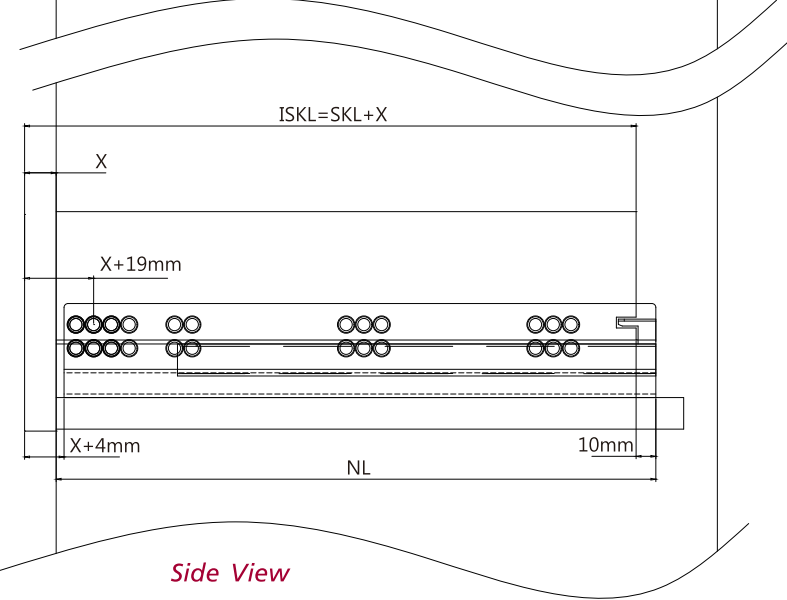
Drawer / inner drawer
 SKW Internal width
 LW Inner cabinet width

SKL Drawer length
 NL Nominal Length

Overlay



Inset



Side View

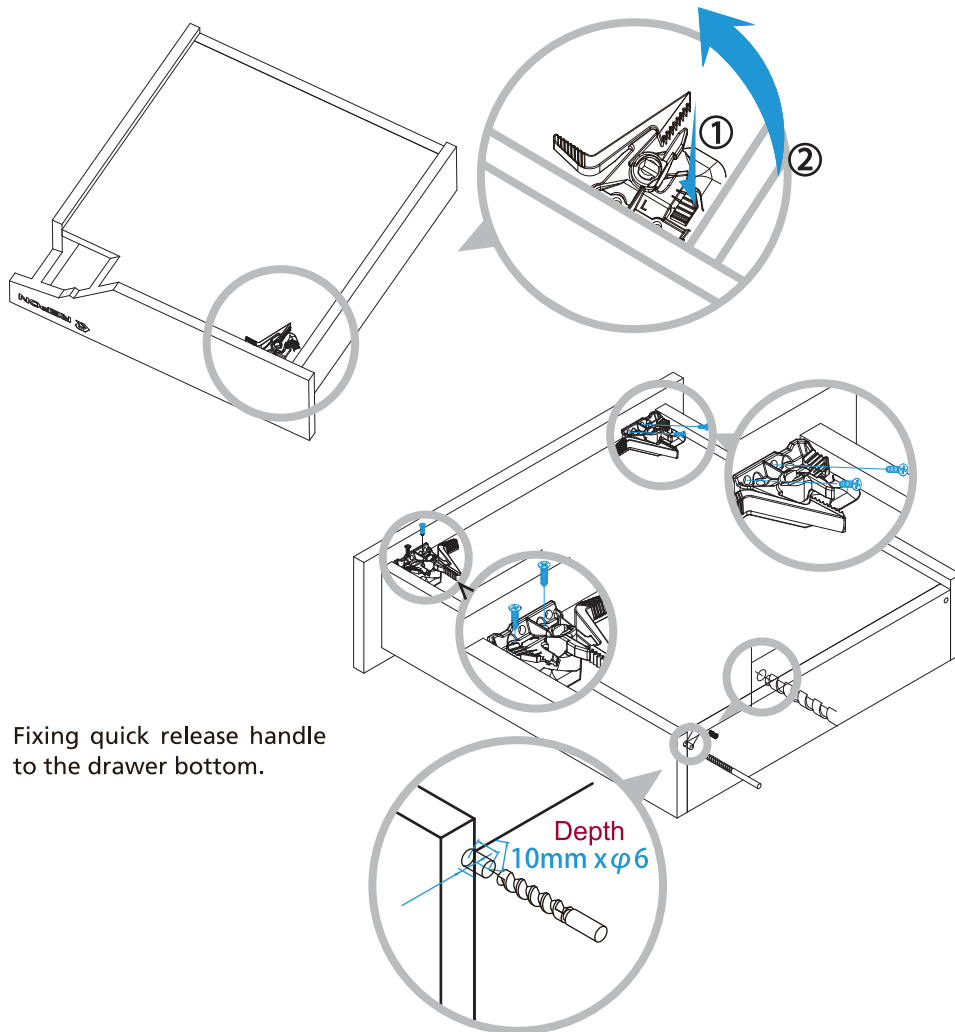
Inset Drawer Front = X
 ISKL Inner drawer length (W / FRONT)
 SKL Drawer length (W / O FRONT)
 NL Nominal length



Installation Instructions

Step 2 > Adjustment

✎ For drawer front adjustment, please turn wheels rotate the lever as the illustration. You may raise the drawer front by a maximum of 4 mm, or left or right by 2 mm respectively



✎ Fixing quick release handle to the drawer bottom.

Step 3 >

✎ Pull the handle forward to release.

