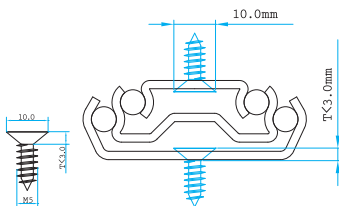


# QUICK INSTALLATION GUIDE OF NJ-78036

Loading, Full Extension Slides, 150 pound (68 kgs) loading

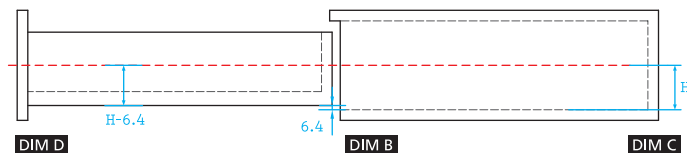
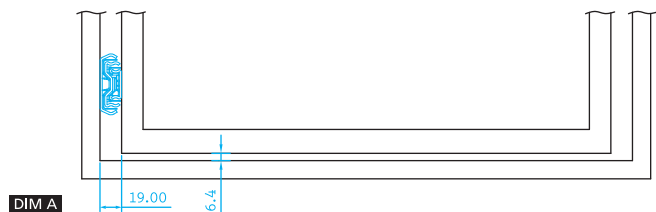
 **READ THE QUICK INSTALLATION GUIDE FIRST BEFORE INSTALLATION**

A. Recommended screws for fixing – #10 or M5 countersunk. Each side of slide requires at least 6 screws.




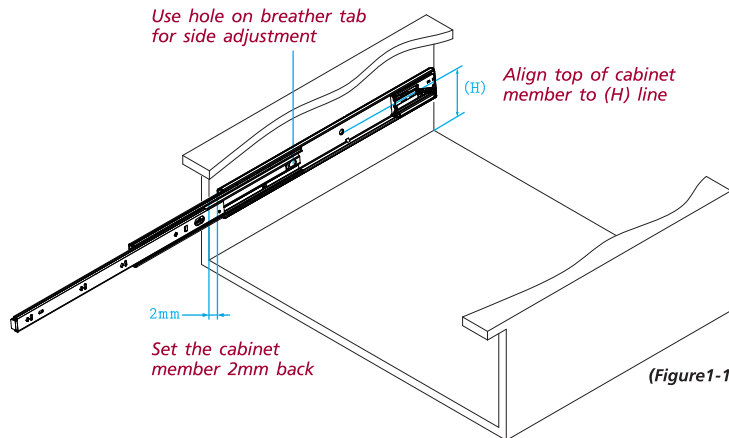
## Technical Specifications for drawer or pull-out shelf


- ① Drawer or pulling-out shelf side clearance must be at least 19.00 mm ( DIM A )
- ② Bottom of drawer or pulling-out shelf bottom shall have 6.4 mm or 1/4" minimum clearance from the bottom of Cabinet ( DIM B )
- ③ Mark a center line with proper height ( H ) from the bottom of cabinet ( DIM C )
- ④ Mark a center line with proper height (H-6.4 mm) from the bottom of drawer ( DIM D )




## Step 1 > Install Cabinet Member to Cabinet


 Align center line of cabinet member to pre-determined center line (H), and place slide 2 mm backward from cabinet opening.

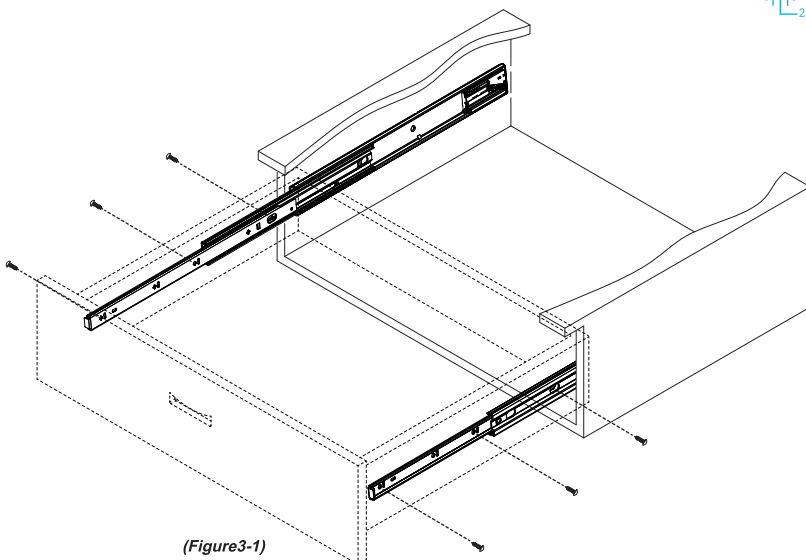
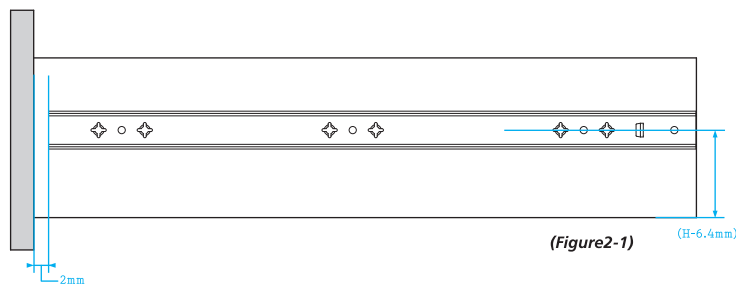


 Fix the slides through the countersunk holes, and leave the screw loose for final adjustment. Move the slides back and forth, and make sure no screw is bound.

## Step 2 > Install Drawer Member to Drawer

 Align center line of drawer member to the pre determined line (H-6.4 mm), and place drawer member 2 mm backward from the drawer front or the pulling-out shelf edge. Shall the silencing cushion is used, place drawer member 5.2 mm backward. (Figure2-1)

 Fix the drawer member through vertical slots for vertical adjustment. Leave the screw loose for final adjustment.



### Final Adjustment.....

Try to open and close the drawer to see if slides function correctly. If so, secure the screws and install additional screws as necessary. If not, please make adjustment till slides function correctly.

\*This instruction is for reference only. It may vary due to different applications.

\*NJ-78036 is not drawer member removeible you need to access mounting through windows on intermediate member. (Figure3-1)